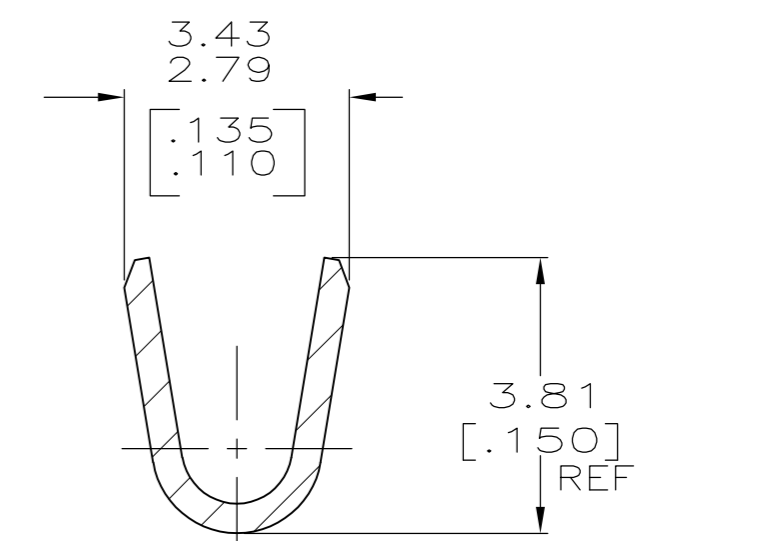
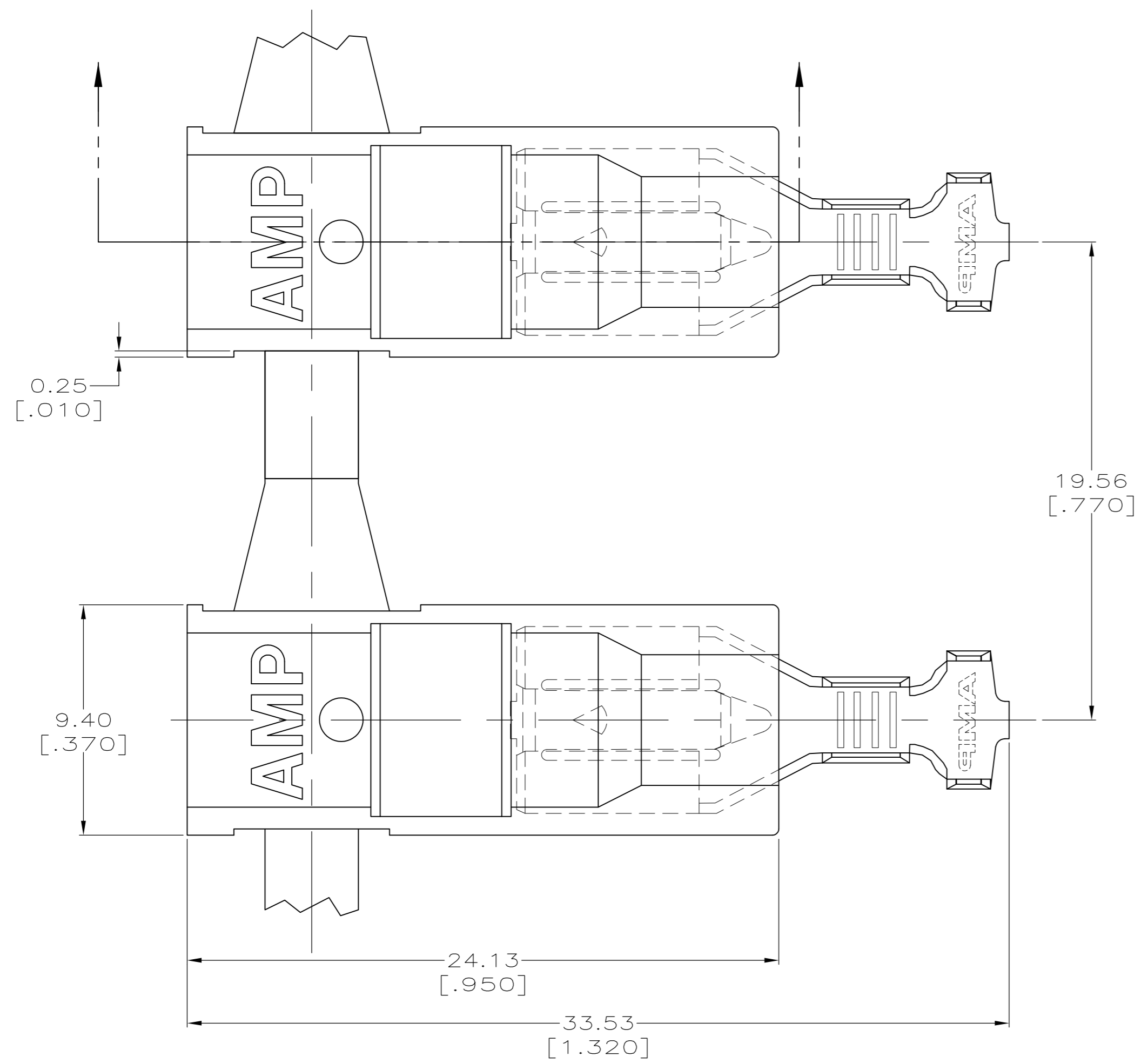


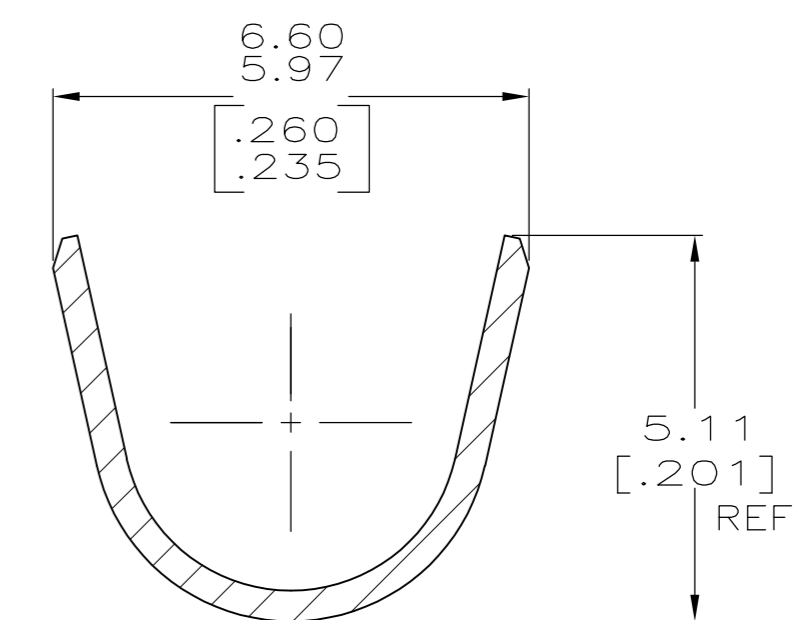
THIS DRAWING IS UNPUBLISHED. RELEASED FOR PUBLICATION
 © COPYRIGHT - By - ALL RIGHTS RESERVED.

LOC		DIST		REVISIONS			
P	LTR	DESCRIPTION		DATE	DWN	APVD	
AF	50	C		REVISED PER ECR-12-013219	08JAN13	KH	KR

- 1 MATING TAB THK TO BE 0.81±0.025[.032±.001]
- △ TIN PLATE 0.001016 [.000040] MIN THK.
- 3 WIRE SIZE IS [#18-#14] AWG.
- 4 INSULATION RANGE IS 2.79-4.57[.110-.180] DIA.
 2.79-3.56 [.110-.140] DIA - CRIMP WIDTH 4.57 [.180], F TYPE
 3.56-4.57 [.140-.180] DIA - CRIMP WIDTH 4.57 [.180], O TYPE



SECTION A-A
SCALE 10:1



SECTION B-B
SCALE 10:1

THIS DRAWING IS A CONTROLLED DOCUMENT.		DWN	JR RUTH	19JUN00		521317-2	
DIMENSIONS: mm [INCHES]		CHK	MS FEHER	19JUN00		521317-1	
TOLERANCES UNLESS OTHERWISE SPECIFIED:		APVD	J HUMMEL	19JUN00		FINISH	
0 PLC ± - 1 PLC ± - 2 PLC ± 0.25 [.010] 3 PLC ± - 4 PLC ± - ANGLES ± -		PRODUCT SPEC	-			PART NO.	
MATERIAL		APPLICATION SPEC	-		NAME		ASSEMBLY, RECEPTACLE, ULTRA-POD, 6.35 [.250] SERIES
TERMINAL - BRASS		FINISH	-		SIZE	CAGE CODE	DRAWING NO
HOUSING - 6/6 VO NYLON		TERMINAL - SEE TABLE	HOUSING - NATURAL		A2	00779	C=521317
CUSTOMER DRAWING		WEIGHT	-		SCALE	SHEET	REV
				5:1	1 of 1	C	

单击下面可查看定价，库存，交付和生命周期等信息

[>>TE Connectivity\(泰科\)](#)