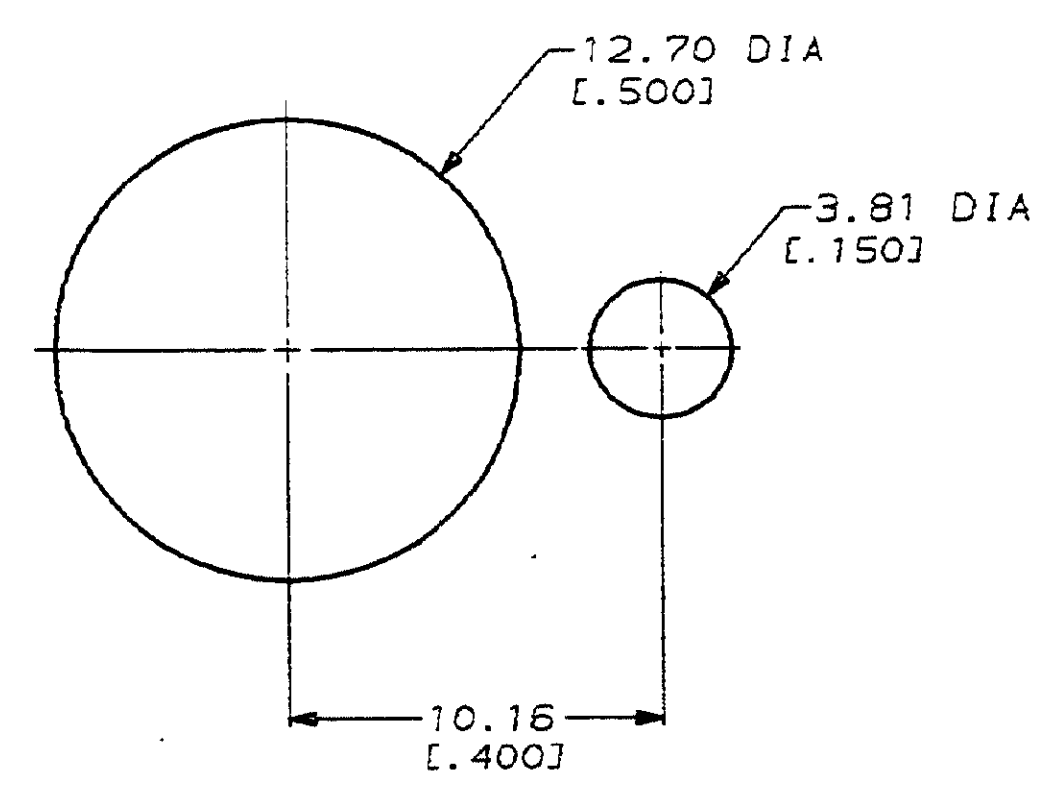
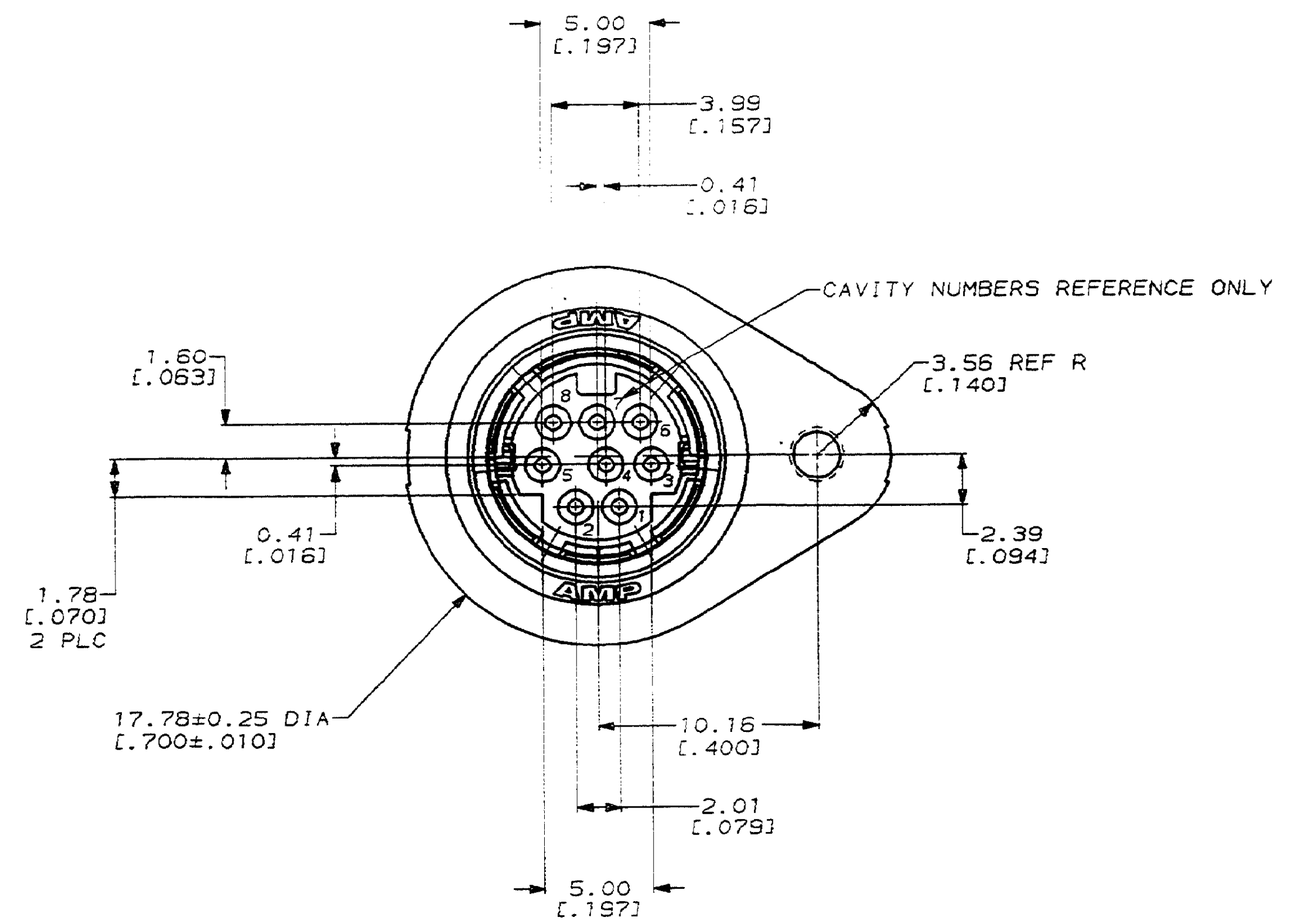
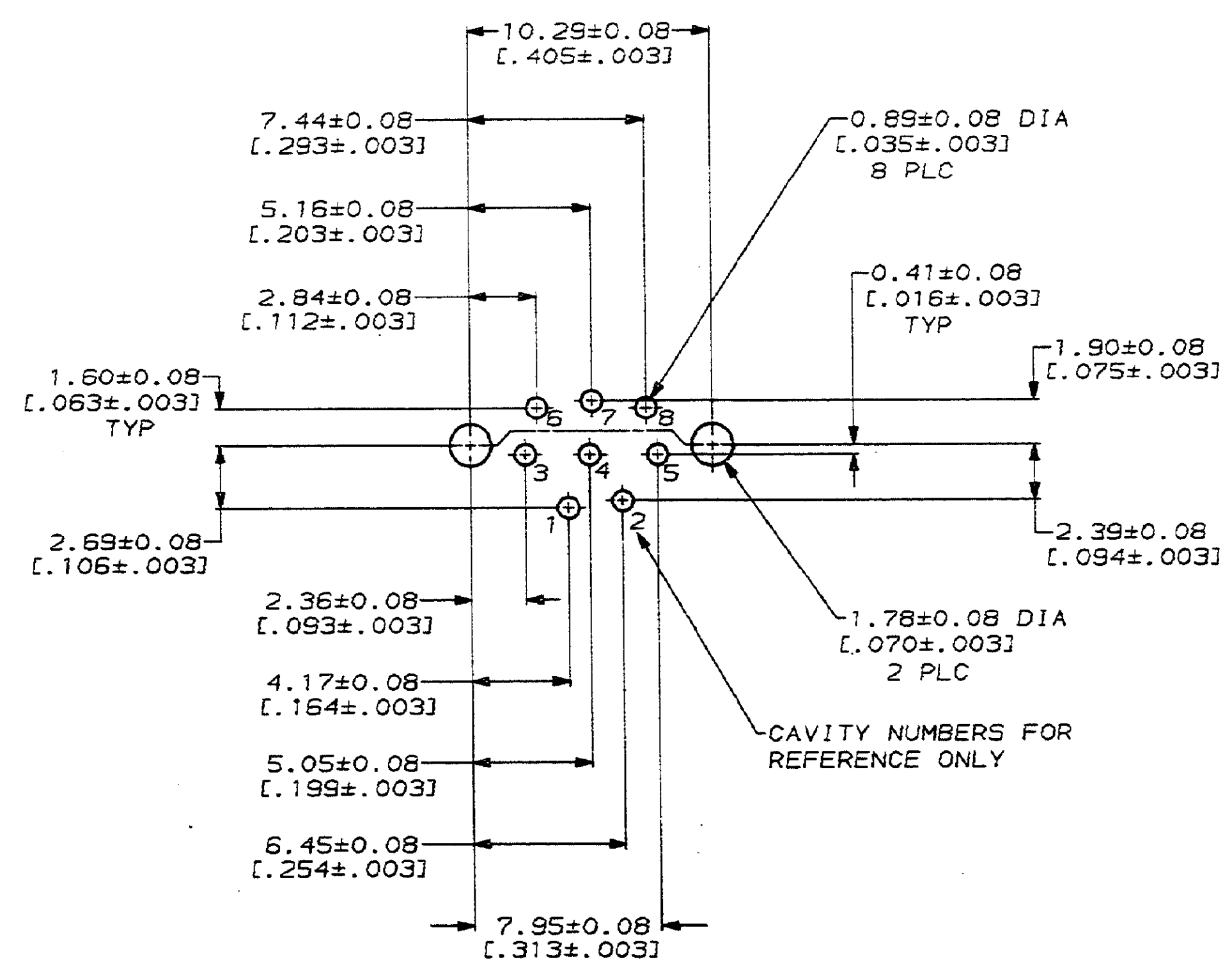
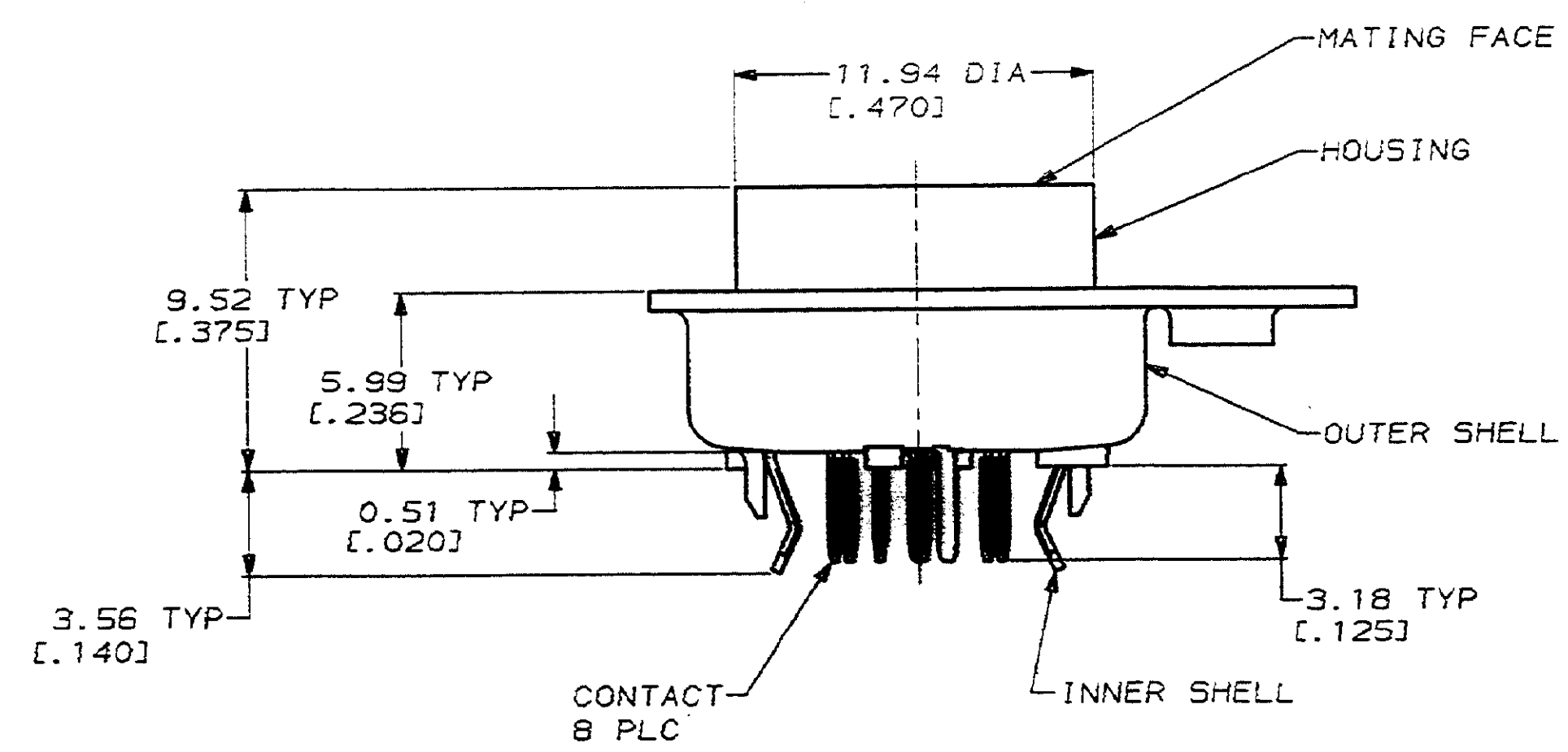


MOD		LOC		DIST		REV		REVISIONS		
18	BD	39	P	ZONE	LTR	DESCRIPTION	DATE	APPO		
				0		RLSE WAS 89-4837-14-1 & -2, NPR 2960	8-90	-		
				A		REVISED PER ECN BD4681	02/08/91			

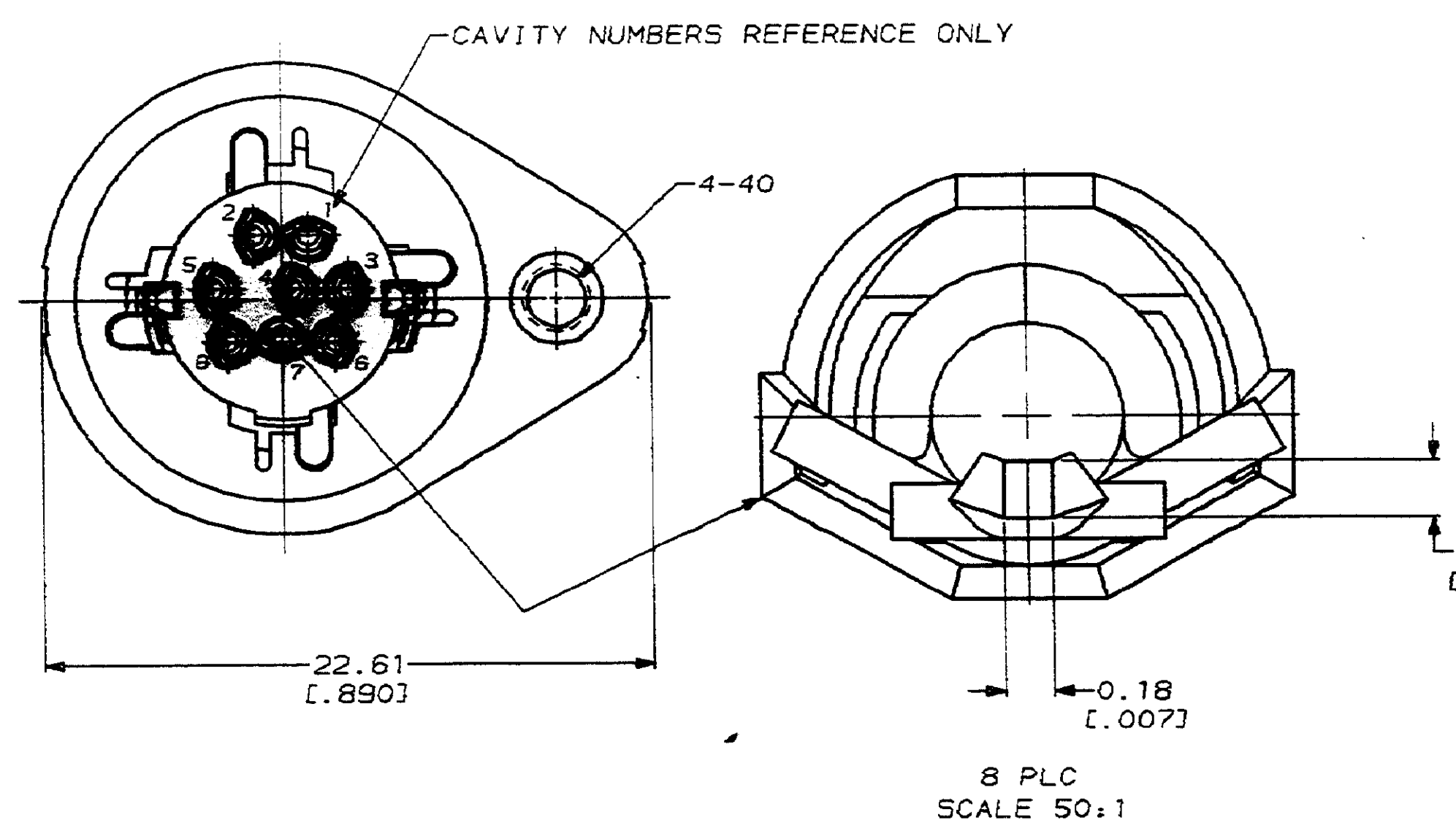


RECOMMENDED PANEL CUT-OUT

- △ SHELLS: BRASS; CONTACTS: PHOSPHOR BRONZE; HOUSING: POLYESTER, UL 94V-0 RATED, BLACK.
- △ 0.76 μm [.000030] MIN GOLD ON MATING END FOR A LENGTH OF 1.37 [.054] MIN ON INSIDE, 2.54 μm [.000100] MIN TIN-LEAD FOR A LENGTH OF 3.30 [.130] MIN FROM OPPOSITE END, ALL OVER 1.27 μm [.000050] MIN NICKEL.
- △ 0.38 μm [.000015] MIN GOLD ON MATING END FOR A LENGTH OF 1.37 [.054] MIN ON INSIDE, 2.54 μm [.000100] MIN TIN-LEAD FOR A LENGTH OF 3.30 [.130] MIN FROM OPPOSITE END, ALL OVER 1.27 μm [.000050] MIN NICKEL.
- △ 2.54 μm [.000100] MIN TIN-LEAD OVER 1.27 μm [.000050] MIN NICKEL.
- △ GOLD PLATING PER MIL-G-45204, TIN PLATING PER MIL-T-10727, NICKEL PLATING PER QQ-N-290, COPPER PLATING PER MIL-C-14550.
- 6. RECEPTACLE ASSEMBLY MATES WITH 8 PIN, 8.99±0.10 [.354±.004] DIAMETER PLUG.
- △ 3.81 μm [.000150] MIN TIN-LEAD OVER 2.54 μm [.000100] MIN COPPER.



RECOMMENDED PC BOARD LAYOUT
BOTTOM VIEW



CONTACT FINISH	750340-2
PART NO	750340-1

DO NOT SCALE PRINT. UNLESS SPECIFIED DIMENSIONS IN mm [INCHES] TOLERANCES ON: 2 PLC DEC ± 0.13 [.005] 3 PLC DEC ± - ANGLES ± -	DR 8-4-90 J McCLINTON	AMP Incorporated Harrisburg, PA 17105-3608	NAME	
	CHK 9-5-90 R STONE		RECEPTACLE ASSEMBLY, 8 POSN, LOW FLANGE, SHIELDED, VERTICAL, MINIATURE CIRCULAR DIN	
MATERIAL △	APPD 9-5-90 R WHYNE	PRODUCT SPEC -	SIZE	CASE CODE
	APPD 9-10-90 J FULPONI		APPLICATION SPEC	D
FINISH CONTACTS: SEE TABLE INNER SHELL: △ OUTER SHELL: △	WEIGHT		SCALE	DRAWING NO
			5:1	750340
				SHEET 1 OF 1

单击下面可查看定价，库存，交付和生命周期等信息

[>>TE Connectivity\(泰科\)](#)