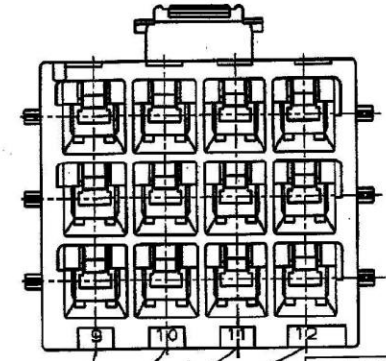
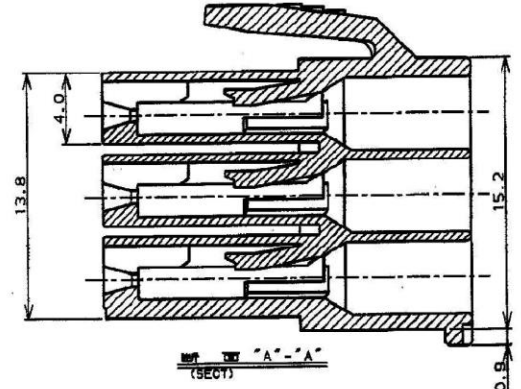
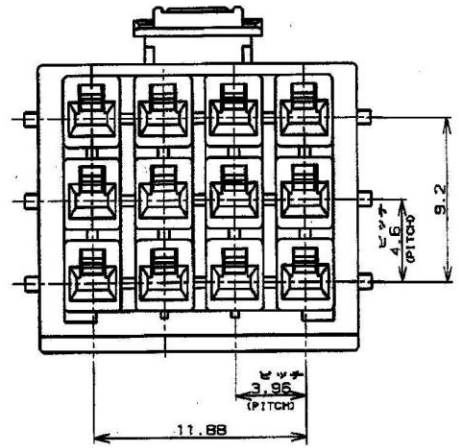
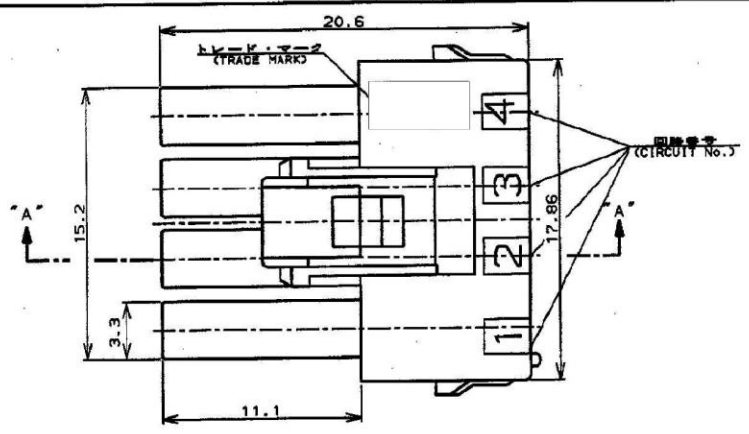


NUMBER C-177905

METRIC

PRINT DIST. DO NOT SCALE PRINT

1. 適用製品規格 : 106-5410
 2. 適用コンタクト型番
 1) A. コンタクト : 177915-C(#20-#16AWG)
 177914-D(#26-#22AWG)
 3. 適合標準用製品型番
 カネマツ・ハウジング : 177913-□(パネル取付タイプ)
 タブ・コンタクト : 177917-C(#20-#16AWG)
 177916-C(#26-#22AWG)
 4. 適用プレート型番 : 177920-C
 5. 取扱説明書 : 411-5638



6 ALL PARTS MEET RTI ELECTRICAL RATING OF 105C ACCORDING TO UL 1977.
 △ PART 5-177905-1 COMPLY WITH GLOW WIRE REQUIREMENT FOR PARTS OF NON-METALLIC MATERIAL SUPPORTING A CURRENT-CARRYING CONNECTION DETAILED IN IEC 60335-1, SECTION 30(GWT)
 △ PART 177905-7 COMPLY WITH HOT WIRE REQUIREMENT, PA66, UL 94V-0. HOT WIRE IGNITION(HWI) VERSION ARE MOLDED IN A RESIN THAT COMPLIES WITH THE HOT WIRE IGNITION TEST 109-32026 AND ARE RECOMMENDED FOR USE WITH HWI HOUSING THAT ALSO COMPLY.
 △ Preliminary-not for production
 10. APPLICATION SPEC: 114-5175

自然色 (NATURAL)	12	177905-7
自然色 (NATURAL)	12	5-177905-1
青 (BLUE)		-6
黄 (YELLOW)		-4
自然色 (NATURAL)	12	177905-1
ハウジング色別 極微 型番		型番
(HOUSING COLOR) (P/N)		(P/N)

- NOTES:
 1. PRODUCT SPEC: 106-5410
 2. APPLICABLE CONTACT P/N
 REC CONTACT: 177915-C(#20-#16AWG)
 177914-D(#26-#22AWG)
 3. MATING CONN. P/N
 CAP HSG: 177913-□ (PANEL MOUNT)
 TAB CONTACT: 177917-C(#20-#16AWG)
 177916-C(#26-#22AWG)
 4. APPLICABLE PLATE P/N: 177920-C
 5. INSTRUCTION SHEET : 411-5638

D6	REVISED PER ECR-19-017851	SM	DZ	20NOV 2019
D5	REVISED ECR-19-014813	M.G	D.Z	26SEP 2019
D4	REVISED ECR-14-017020	W.W	D.Z	4NOV 2014
D3	REVISED ECR-14-013449	W.W	D.Z	14SEP 2014
D2	REVISED ECR-13-019881	A.Z	D.Z	23DEC 2013
D1	REVISED ECR-12-019929	A.Z	F.M	16NOV 2012
D	変更 P100-1398-01	M.M	M.S	20MAY 2011
C	変更 P100-0724-99	M.M	M.S	28MAY 99
B	変更 P100-0623-98	T.Y	M.S	28MAY 98
LTR	変更 (REVISION RECORD)	DR	CHK	DATE

Tyco Electronics AMP K.K. Kawasaki, Japan	
適合規格 (REFERENCE ONLINE RATED) 12極 3.96mmピッチ プラチックハウジング (3列タイプ) 絶縁仕様 (INSULATION DIA.) 絶縁仕様 (FINISH)	品名 (NAME) AMP POWER DOUBLE LOCK CONN. AMP POWER DOUBLE LOCK CONN. 3.96mm PITCH PLUS HOUSING 12 Pos (TPL ROM)
材料 (MATERIAL) 絶縁仕様 (FINISH)	寸法 (SIZE) 12極 3.96mmピッチ プラチックハウジング (3列タイプ) 一般公差
設計 (DESIGN) DR. M. SUZUKI 承認 (CHECK) CHK. M. SHINDO	日付 (DATE) 9. SEP '93 承認 (CHECK) APP. Y. KASHIWA
寸法 (SIZE) B J 尺度 (SCALE)	図番 (DRAWING NO.) C-177905 図名 (TITLE) AMP POWER DOUBLE LOCK CONN. 3.96mm PITCH PLUS HOUSING 12 Pos (TPL ROM)
設計 (DESIGN) DE. M. SUZUKI 承認 (CHECK) APP. Y. KASHIWA	図番 (DRAWING NO.) C-177905 図名 (TITLE) AMP POWER DOUBLE LOCK CONN. 3.96mm PITCH PLUS HOUSING 12 Pos (TPL ROM)
設計 (DESIGN) DE. M. SUZUKI 承認 (CHECK) APP. Y. KASHIWA	図番 (DRAWING NO.) C-177905 図名 (TITLE) AMP POWER DOUBLE LOCK CONN. 3.96mm PITCH PLUS HOUSING 12 Pos (TPL ROM)

REV. 1 1028500

CUSTOMER DRAWING

单击下面可查看定价，库存，交付和生命周期等信息

[>>TE Connectivity\(泰科\)](#)