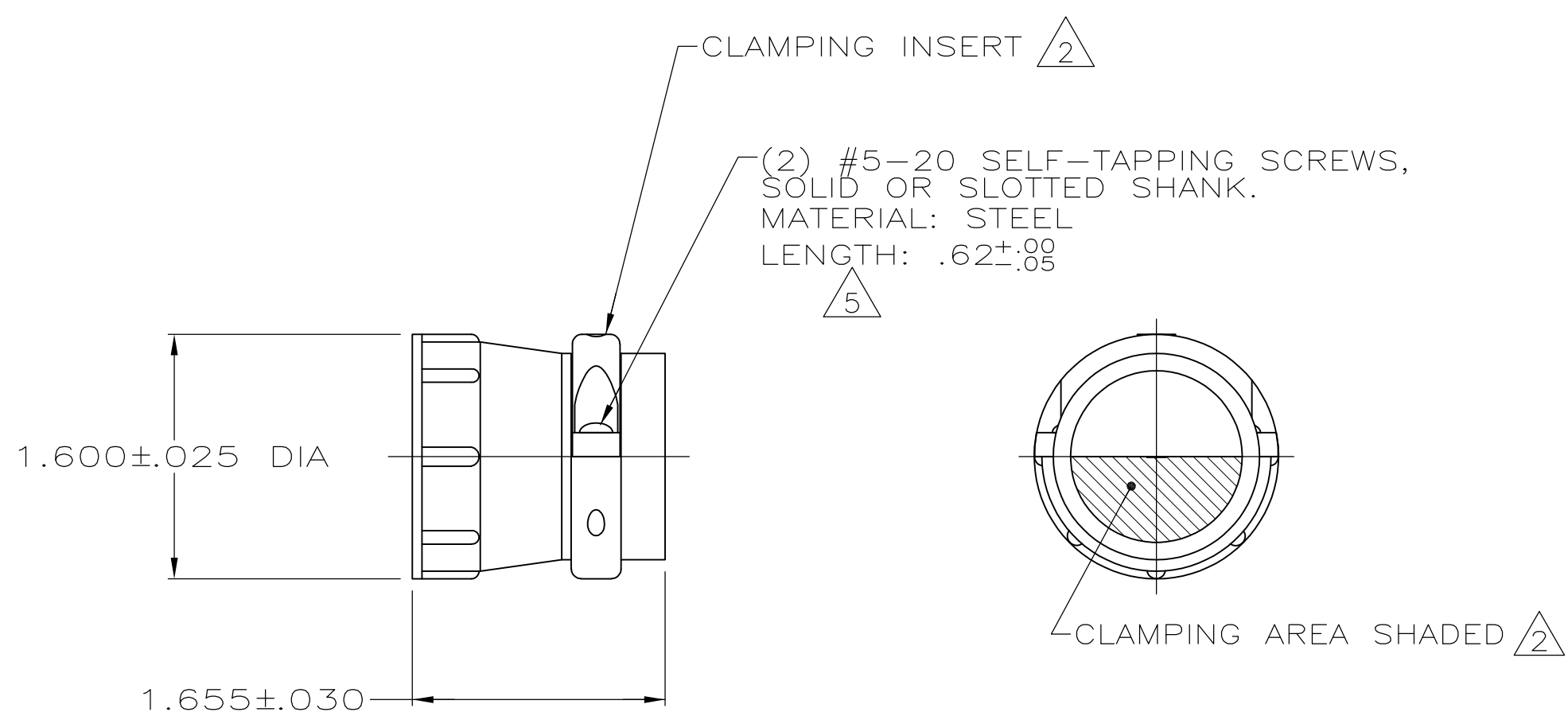


THIS DRAWING IS UNPUBLISHED. RELEASED FOR PUBLICATION
 © COPYRIGHT - By - ALL RIGHTS RESERVED.

LOC	DIST	REVISIONS					
BD	0	P	LTR	DESCRIPTION	DATE	DWN	APVD
		G3		REVISED PER ECO-11-004587	11MAR11	RK	HMR



- 1 PARTS PACKAGED UNASSEMBLED.
- $\triangle 2$ CABLE CLAMPING AREA ADJUSTABLE FROM .261 TO .517 SQ IN BY CHANGING CLAMPING INSERT.
- 3 1.125 MAXIMUM CABLE OUTSIDE DIAMETER.
- $\triangle 4$ BULK PACKAGED KITS TO BE ORDERED IN MULTIPLES OF 75 ONLY.
- $\triangle 5$ FINISH: ZINC NON-HEXAVALENT CHROMATE.
- $\triangle 6$ OBSOLETE PARTS: OBSOLETE CIS STREAMLINING PER D.RENAUD/D.SINISI

	$\triangle 5$	$\triangle 4$ BULK	206512-6
	$\triangle 5$	INDIVIDUAL	206512-5
OBSOLETE	$\triangle 5$	SMALL PACK	206512-4
OBSOLETE	$\triangle 5$	SMALL PACK	206512-3
SUPERSEDED BY 206512-6	$\triangle 5$	$\triangle 4$ BULK	206512-2
SUPERSEDED BY 206512-5	$\triangle 5$	INDIVIDUAL	206512-1
		SCREW FINISH	PART NUMBER
			PACKAGING

THIS DRAWING IS A CONTROLLED DOCUMENT.		DWN A GRAFF 4/29/91	STE TE Connectivity	
		CHK W.G.LENKER 7-23-92		
DIMENSIONS: INCHES		APVD -		NAME CABLE CLAMP KIT, LARGE, SHELL SIZE 23, CPC
TOLERANCES UNLESS OTHERWISE SPECIFIED:		PRODUCT SPEC 108-10024		
0 PLC \pm -		APPLICATION SPEC -		SIZE A3
1 PLC \pm -				CAGE CODE 00779
2 PLC \pm -				DRAWING NO C-206512
3 PLC \pm -				RESTRICTED TO -
4 PLC \pm -				
ANGLES \pm -		WEIGHT -		SCALE 1:1
MATERIAL THERMOPLASTIC		FINISH -		SHEET 1 OF 1
		CUSTOMER DRAWING		REV G3

单击下面可查看定价，库存，交付和生命周期等信息

[>>TE Connectivity\(泰科\)](#)