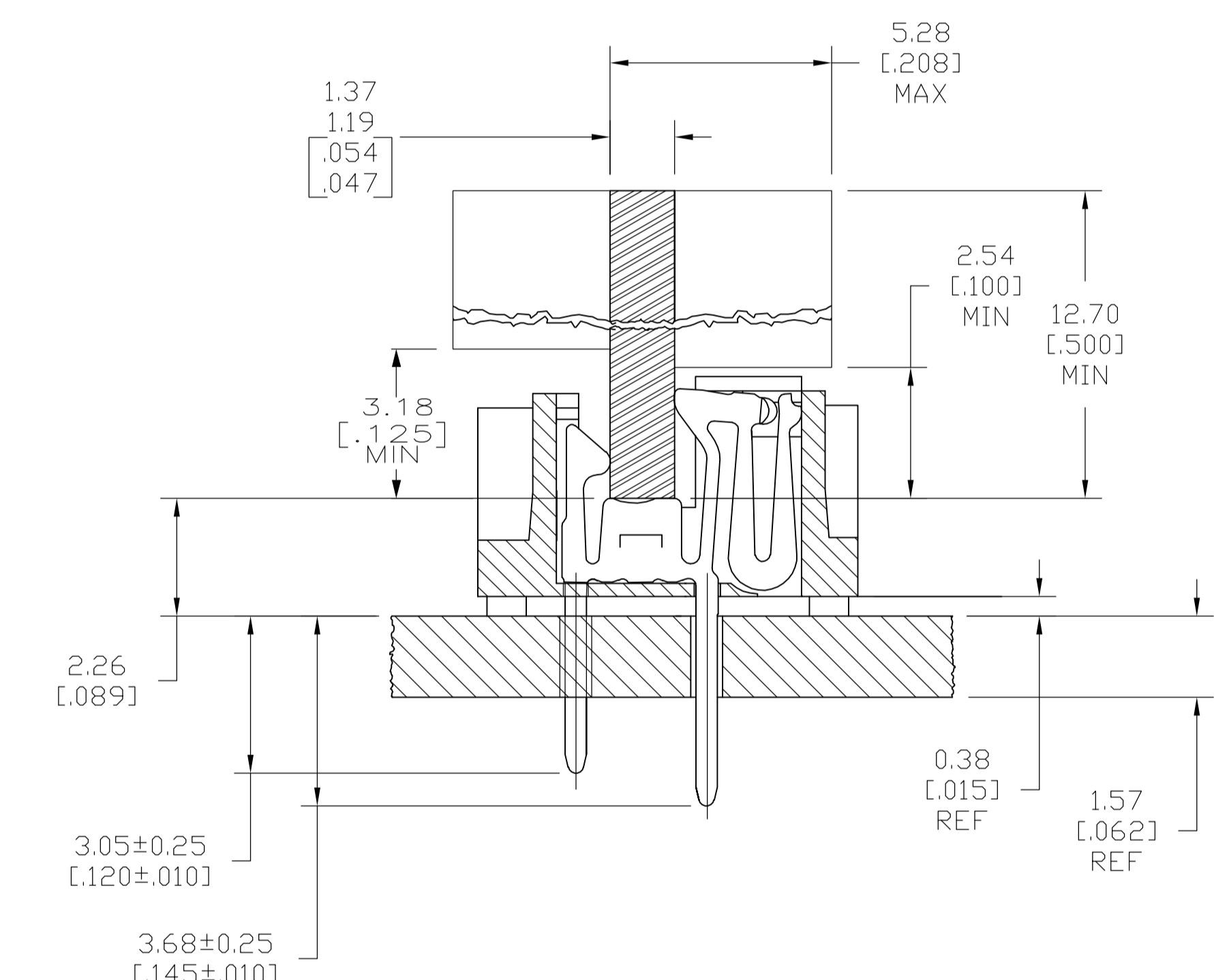


- △ HOUSING—MATERIAL : LIQUID—CRYSTAL—POLYMER.
- △ CONTACT—MATERIAL : PHOS. BRONZE.
- △ LATCH—MATERIAL : BRASS, NICKEL PLATE.
- △ CONTACT—PLATE 0.00127 [.000050] MIN NICKEL ALL OVER.
- △ CONTACT—PLATE 0.00076 [.000030] MIN. GOLD AT CONTACT PTS.
- △ CONTACT SOLDER TAILS—PLATE 0.00508 [.000200] MIN MATTE TIN.
- 7. IN ADDITION TO THOSE RECOMMENDED "Simm" P.C. BOARD DIMENSIONS AND TOLERANCES SHOWN, ALL JEDEC SPECIFICATIONS APPLY AS SHOWN ON MO-116, ISSUE A.
- 8. RECOMMENDED MATING S.I.M.M. TAB METALLURGY:
 BASE METAL—COPPER. PLATING TO BE 0.00076 [.000030] MIN GOLD OVER 0.00127 [.000050] MIN NICKEL.
- △ 9. DATE CODE: (YEAR WEEK) XXXX FORMAT, LOCATED APPROXIMATELY AS SHOWN ON OPPOSITE SIDE.



SECTION X-X
 SCALE 10:1
 (BOARDS SHOWN FOR REF ONLY)

107.95 [4.250]	101.19 [3.984]	55.88 [2.200]	44.45 [1.750]	115.57 [4.550]	95.25 [3.750]	72	5822032-4
F	E	D	C	B	A	NO. OF POSN	PART NO
THIS DRAWING IS A CONTROLLED DOCUMENT.				DIN S. WAITMAN 6JAN05		Tyco Electronics Corporation	
DIMENSIONS: mm [INCHES]				CIRK M. YFOMANS 6JAN05		Harrisburg, PA 17105-3608	
TOLERANCES UNLESS OTHERWISE SPECIFIED:				APVD M. YFOMANS 6JAN05		NAME	
0 PLC ± -				PRODUCT SPEC		CONNECTOR, MICRO-EDGE, .050, VERTICAL, GOLD PLATING, W/METAL LATCH	
1 PLC ± -				APPLICATION SPEC		SIZE	
2 PLC ± -				WEIGHT		CASE CODE	
3 PLC ± 0.13 [.005]				RESTRICTED TO		DRAWING NO	
4 PLC ± -				CUSTOMER DRAWING		5822032	
ANGLES ± -				SCALE 4:1		SHEET 1 of 1	
FINISH				REV		B	

单击下面可查看定价，库存，交付和生命周期等信息

[>>TE Connectivity\(泰科\)](#)