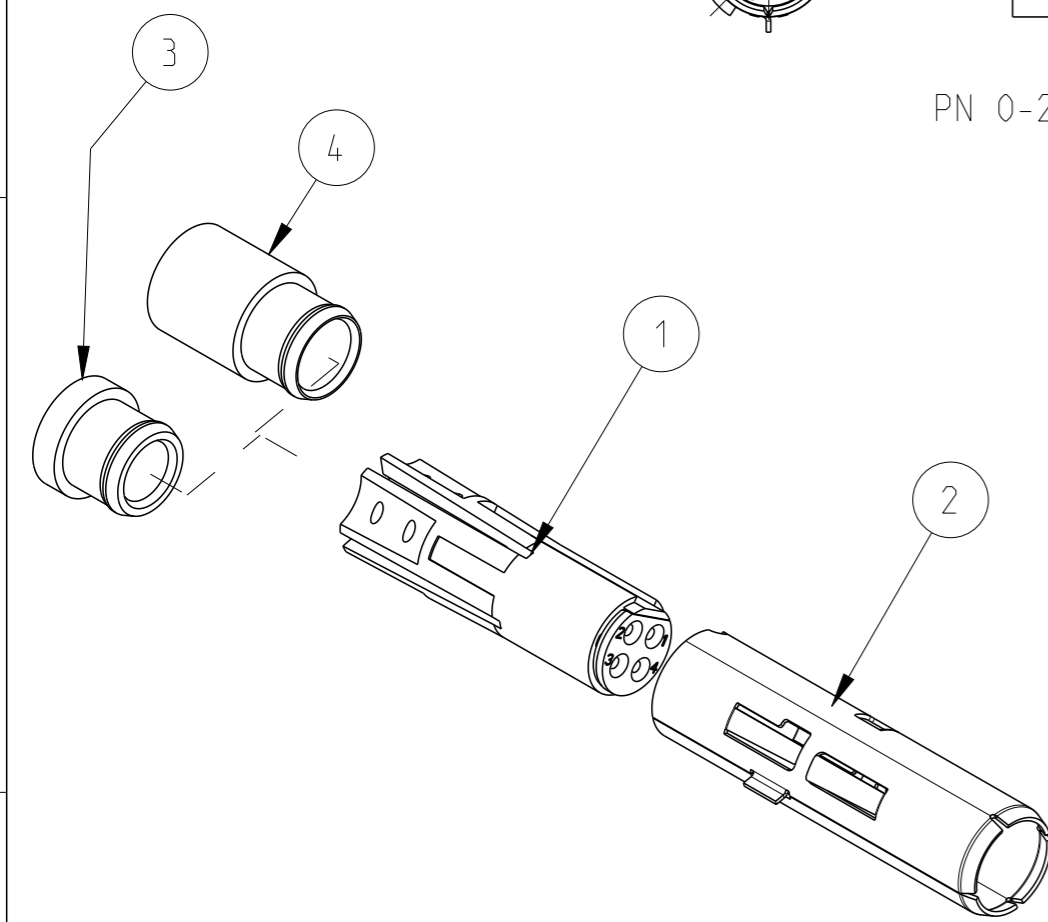
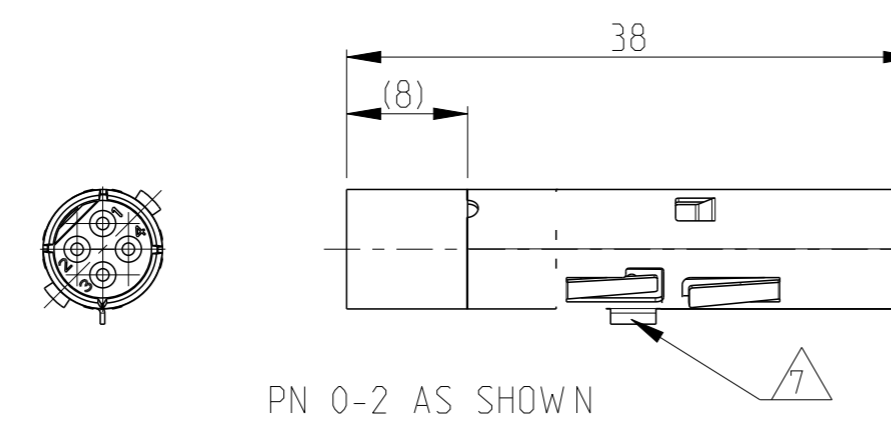
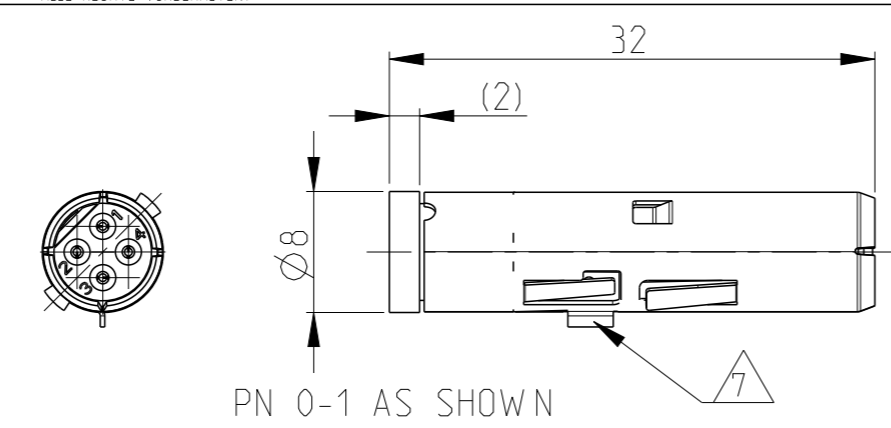


THIS DRAWING IS UNPUBLISHED  
 VERTRAULICHE UNVERÖFFENTLICHTE ZEICHNUNG  
 RELEASED FOR PUBLICATION  
 FREI FUER VERÖFFENTLICHUNG  
 17.OCT. 2007  
 MATED WITH:  
 PASSEND ZU:

TE Connectivity  
 ALL RIGHTS RESERVED.  
 ALLE RECHTE VORBEHALTEN.

LOC	DIST	REVISIONS ÄNDERUNGEN			
P	LTR	DESCRIPTION BESCHREIBUNG	DATE	DWN	APVD
AI	-				
PROJEKT NR.:		E1	CUT OFF ADDED BY AREA LEAD-IN CHAMFER	31MAY2012	KHH HEIN
		F1	LOCKING LATCHES OF FEMALE SHELL CHANGED	02OCT2013	SH DO
		F2	TITLE BLOCK: NAME CHANGED	09OCT2015	ER DO
		F3	REV. PER ECR-16-000458	12JAN2016	ER DO



- Notes
- SUITABLE POWER INSERT: SERIES HC26  
CUSTOMER DRAWING: 1103429
  - SUITABLE CAT5e CABLE:  
CUSTOMER DRAWING: 1103536
  - SUITABLE CRIMP CONTACTS:  
CUSTOMER DRAWING: 1658686
  - SUITABLE INSERTION TOOL:  
CUSTOMER DRAWING: 91285
  - SUITABLE EXTRACTION TOOL:  
CUSTOMER DRAWING: 91285
  - STANDARDS:  
DIN EN 61984, DIN EN 60664-1
  - POLARIZATION RIP
  - FOR WIRE-SHIELDING DIAMETER 5.0
  - FOR WIRE-SHIELDING DIAMETER 4.2
  - PACKAGING:  
40 SETS IN A CARTON, UNMOUNTED

PN/QTY	DESCRIPTION	MATERIAL	COLOR/SURFACE	NOTE	ITEM
1 -	FERRULE	BRASS	SILVER PLATED	SERIES HC26, FEM. SHELL CRIMP VERSION	4
- 1	FERRULE	BRASS	SILVER PLATED	SERIES HC26, FEM. SHELL STANDARD	3
1 1	FEMALE SHELL	COPPER ALLOY	SILVER PLATED	SERIES HC26, 4 POS. 22 DF	2
1 1	FEMALE INSERT ASS'Y	PBT-GF10	GREY	SERIES HC26, 4 POS. 22 DF	1

PARTS LIST (PER ONE UNIT)

DIESE ZEICHNUNG IST EIN KONTROLLIERTES DOKUMENT.  
 BEMASSUNGEN UND TOLERANZEN GEMAESS GPS (ISO STANDARDS).

THIS DRAWING IS A CONTROLLED DOCUMENT.  
 DIMENSIONING AND TOLERANCING PER GPS (ISO STANDARDS).

DIMENSIONS: MASSEINHEITEN: MM	TOLERANCES UNLESS OTHERWISE SPECIFIED: ALLGEMEINTOLERANZEN	DWN H.BRAUN 19OCT2007	TE Connectivity <b>FEMALE INSERT ASS'Y</b> SERIES HC26, 4-POS., 22DF CIRCULAR HYBRID CONNECTOR
	0 PLC ± 1 PLC ± 2 PLC ± 3 PLC ± 4 PLC ± ANGLES/WINKEL ±	CHK T.VETTER 27OCT2008	
		APVD T.SCHNURPFIL 27OCT2008	
		PRODUCT SPEC PRODUKTSPEZ. 108-94485	
MATERIAL -	FINISH/OBERFLAECHE/FARBE -	APPLICATION SPEC VERARBEITUNGSSPEZ. 114-94369	NAME SIZE A3 CAGE CODE 00779 DRAWING NO. ZEICHNUNGS-NR. C=1103427
		WEIGHT GEWICHT -	RESTRICTED TO NUR FUER -

CUSTOMER DRAWING /KUNDENZEICHNUNG SCALE MASSSTAB 2:1 SHEET BLATT 1 OF VON 1 REV F3

单击下面可查看定价，库存，交付和生命周期等信息

[>>TE Connectivity\(泰科\)](#)