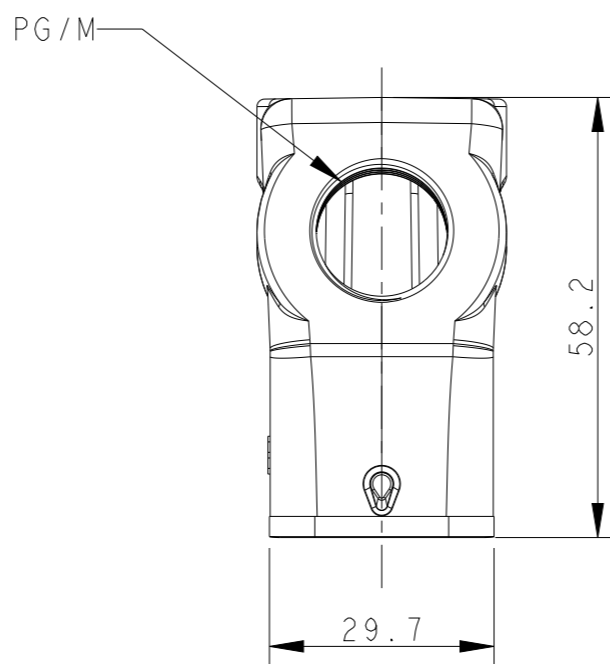
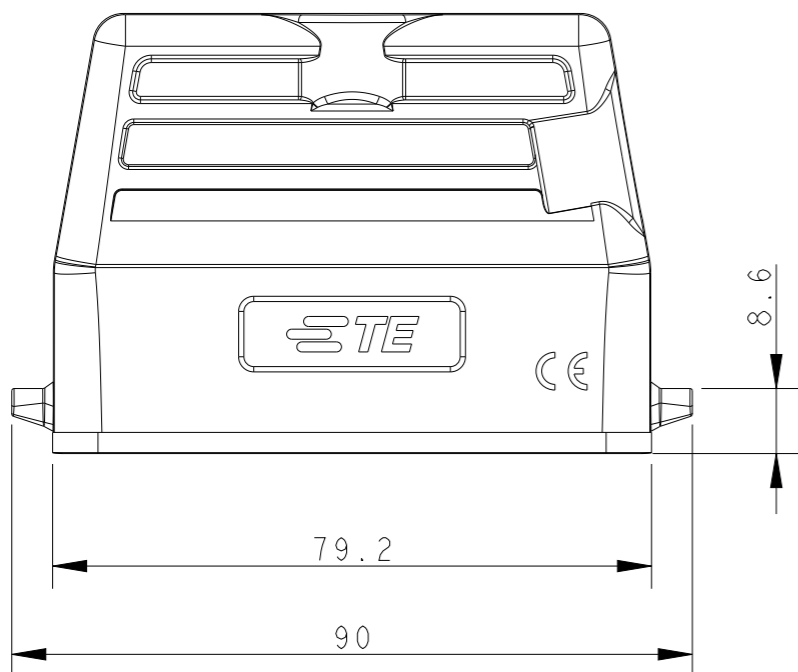
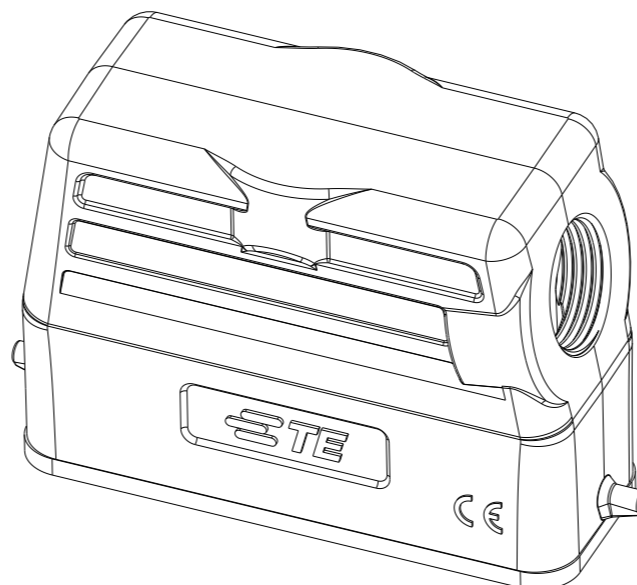
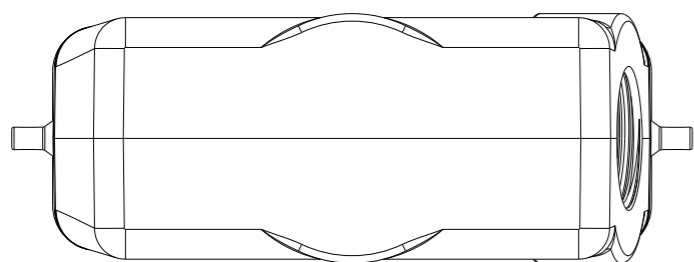


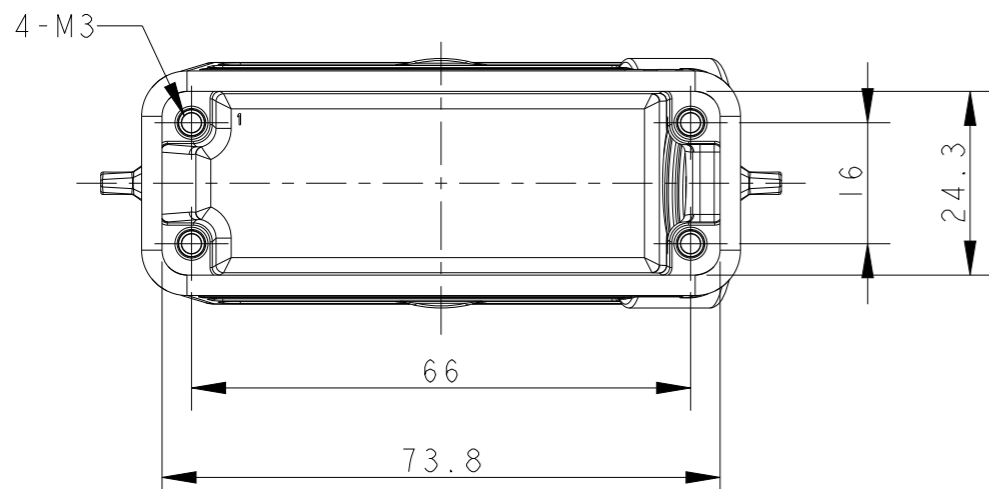
REVISIONS

P	LTR	DESCRIPTION	DATE	DWN	APVD
	A	INITIAL RELEASE	07MAY2015	DL	CW
	B	ECR-20-009510	28DEC2020	BS	CW
	B1	ECR-21-105988	28JUL2021	BS	CW



NOTES:
 1. TECHNICAL CHARACTERISTICS:
 BODY MATERIAL: DIE CAST ALUMINIUM ALLOY
 SURFACE TREATMENT: POWDER-COATED, GRAY
 DEGREE OF PROTECTION: IP65 (MATED)

注释:
 1. 技术参数:
 主体材料: 铝合金
 表面处理: 粉末喷涂, 灰色
 防护等级: IP65(配合)



T1319160111-000	HI6A-TS-PG11	PG11
T1319160116-000	HI6A-TS-PG16	PG16
T1319160120-000	HI6A-TS-M20	M20
T1319160121-000	HI6A-TS-PG21	PG21
T1319160125-000	HI6A-TS-M25	M25
ASSEMBLY PART NUMBER	ASSEMBLY PART DESCRIPTION	PG/M

THIS DRAWING IS A CONTROLLED DOCUMENT.		DWN	DAVID LI	07MAY2015	STE TE Connectivity													
DIMENSIONS: mm		CHK	CHRIS WANG	07MAY2015														
TOLERANCES UNLESS OTHERWISE SPECIFIED:		APVD	XU XIANG	07MAY2015														
<table border="0"> <tr><td>0 PLC</td><td>±-</td></tr> <tr><td>1 PLC</td><td>±-</td></tr> <tr><td>2 PLC</td><td>±-</td></tr> <tr><td>3 PLC</td><td>±-</td></tr> <tr><td>4 PLC</td><td>±-</td></tr> <tr><td>ANGLES</td><td>±-</td></tr> <tr><td>FINISH</td><td>-</td></tr> </table>		0 PLC	±-	1 PLC		±-	2 PLC	±-	3 PLC	±-	4 PLC	±-	ANGLES	±-	FINISH	-	NAME	HI6A-TS-PG/M
0 PLC	±-																	
1 PLC	±-																	
2 PLC	±-																	
3 PLC	±-																	
4 PLC	±-																	
ANGLES	±-																	
FINISH	-																	
MATERIAL		PRODUCT SPEC	108-137010		SIZE	CAGE CODE	DRAWING NO	RESTRICTED TO										
-		APPLICATION SPEC	114-137010		A3	-	©-T13191601XX000											
-		WEIGHT	-		CUSTOMER DRAWING		SCALE	1:1										
						SHEET	1	OF										
						REV	B1											

单击下面可查看定价，库存，交付和生命周期等信息

[>>TE Connectivity\(泰科\)](#)