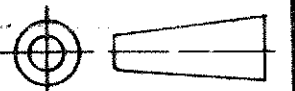


REVISIONS			
LTR	DESCRIPTION	DATE	DWN/PRD
D	ECR.06.012362	23.5.06	BM JTB

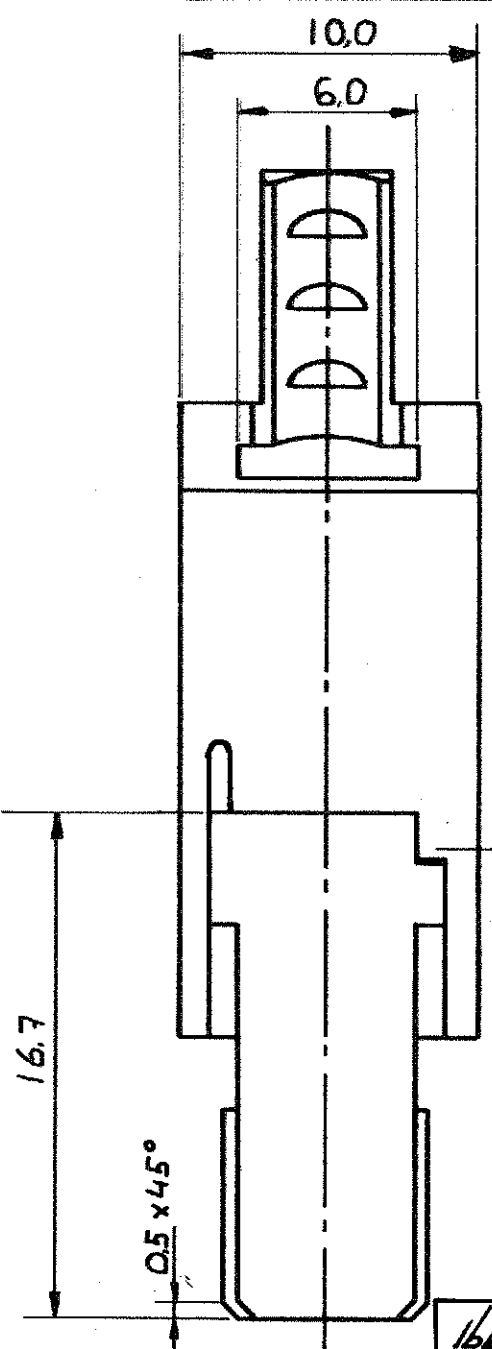
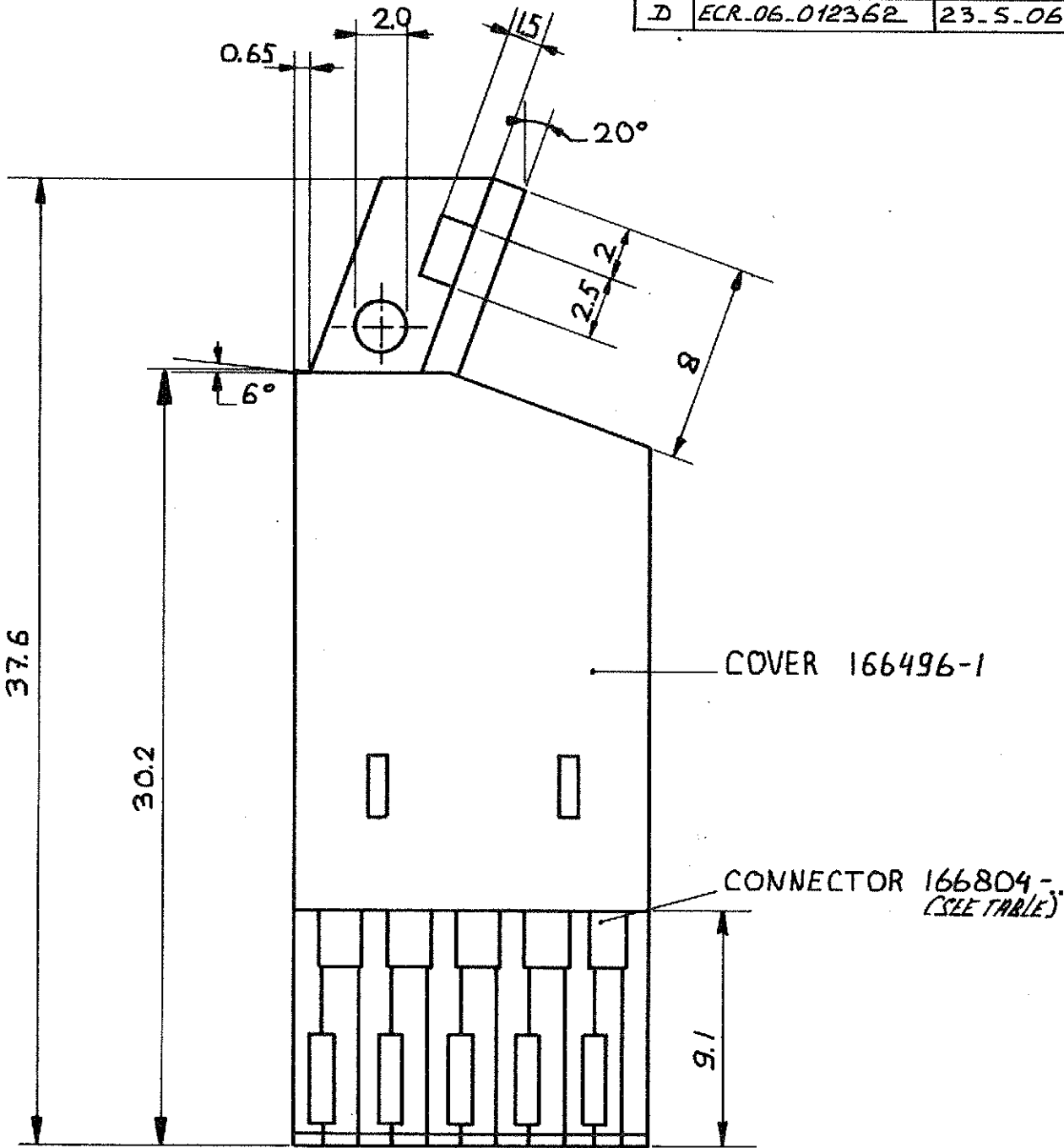
DO NOT SCALE

METRIC

THIRD ANGLE
PROJECTION



DIMENSIONS IN mm



166804-1	SEE NOTE 1A	SEE NOTE	167233-3
166804-4	SEE NOTE 1A	SEE NOTE	167233-2
2-166804-5	SAME AS -5	2	2-167233-5A
2-166804-6	SAME AS -6		2-167233-6A
PARTNUMBER CONNECTOR	FINISH	MATERIAL	PARTNUMBER

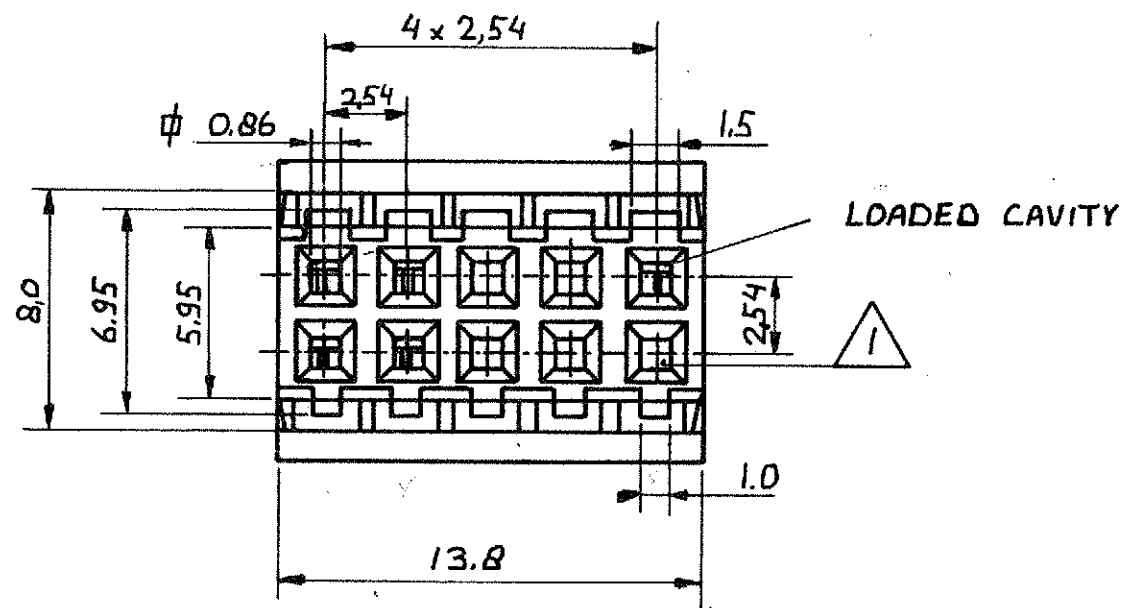
NOTES:

- 1A PLATING CONTACTS SAME AS -1, ONLY 0.8 μm Au.
- 1A PLATING CONTACTS SAME AS -1, ONLY 1.25 μm Au.

NOTES

- 1 5 CAVITIES LOADED WITH CONTACTS, SEE FRONT VIEW.
- 2 MATERIALS:
HOUSING: THERMO PLASTIC POLYESTER GLASS FILLED. COLOUR: WHITE
COVER: THERMO PLASTIC POLYESTER GLASS FILLED. COLOUR: BLACK
CONTACT: PHOSPHOR BRONZE
- 3 CONTACT AREA: 2.0 μm GOLD OVER 1.25 μm NICKEL
TERMINATION AREA: TIN
- 4 TWO POLARISING OPENINGS FOR COVER. ONLY IN OUTER WALLS AT SIDE OF NARROW RIBS ONLY.
- 5 PLATING CONTACTS SAME AS -1, ONLY 1.3 μm Au OVER 1.25 μm Ni.
- 6 PLATING CONTACTS SAME AS -1, ONLY 1.0 μm Au OVER 1.25 μm Ni.
- 7 CONNECTOR PRINTED WITH DATE CODE, WIRE SIZE AND GOLD PLATING THICKNESS.

166804-6	SEE NOTE 1A	SEE NOTE	167233-6
166804-5	SEE NOTE 1A	SEE NOTE	167233-5
166804-2	SEE NOTE 1A		167233-1
PARTNUMBER CONNECTOR	FINISH	MATERIAL	PART NUMBER



CUSTOMER DRAWING	AMP		AMP-HOLLAND B.V. 's-Hertogenbosch, The Netherlands	
	FOR REFERENCE ONLY WILL NOT BE UPDATED		THIS DRAWING IS UNPUBLISHED RELEASED FOR PUBLICATION 19	
© COPYRIGHT 19 BY AMP-HOLLAND B.V. ALL INTERNATIONAL RIGHTS RESERVED. AMP PRODUCTS MAY BE COVERED BY U.S. AND FOREIGN PATENTS AND/OR PATENTS PENDING.		DR. M. VAES 27-9-82		REV. DATE D M Y
CHK. [Signature] 30/9-82	WIRE RANGE AWG 30-26	NAME 3+2 POS CABLE CONNECTOR	23 05 06	
APP. [Signature] 5.10.82	INSUL. RANGE	KIT ASSEMBLY	REV. LTR. D	
SIZE A3	SHEET 1 OF 1	DRAWING NO C 167233		

单击下面可查看定价，库存，交付和生命周期等信息

[>>TE Connectivity\(泰科\)](#)