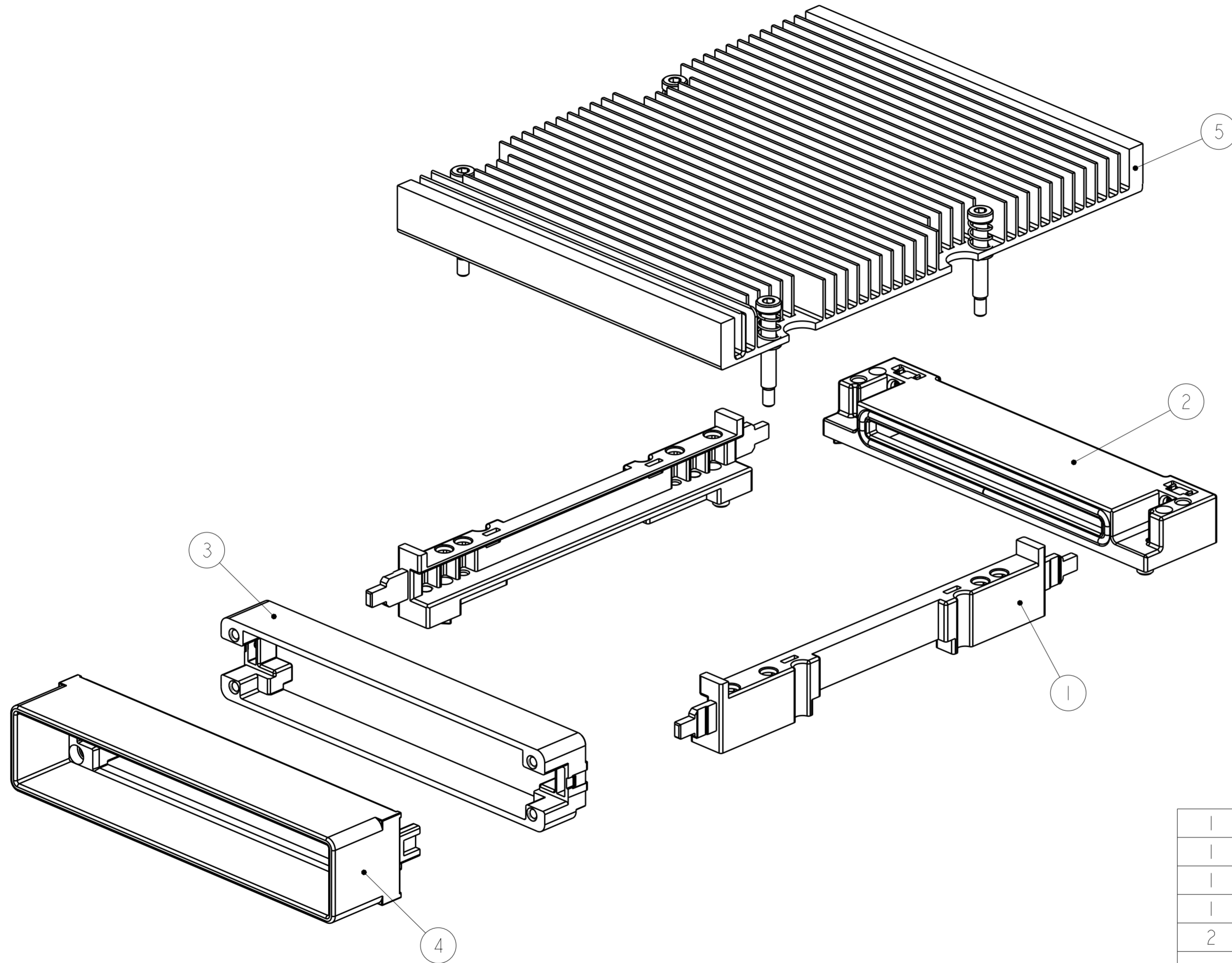



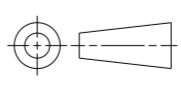
THIS DRAWING IS UNPUBLISHED. RELEASED FOR PUBLICATION 20
 © COPYRIGHT 20 BY - ALL RIGHTS RESERVED.

LOC	DIST	REVISIONS					
GP	00	P	LTR	DESCRIPTION	DATE	DWN	APVD
		B		REVISED PER ECO-12-021786	04MAR2013	CJV	MRS
		C		REVISED PER ECO-13-012622	27AUG2013	CJV	MRS
		CI		REVISED PER ECO-19-001697	18FEB2019	IT	SH

1. BULK PACKED



1	1963856-1	HEATSINK ASSEMBLY	5
1	2057626-1	EXTERNAL BRACKET ASSEMBLY	4
1	2057930-1	BACKER PLATE ASSEMBLY	3
1	2057631-1	CONNECTOR COVER ASSEMBLY	2
2	2057592-2	GUIDE RAIL	1
- 1	PART NUMBER	DESCRIPTION	ITEM NO

THIS DRAWING IS A CONTROLLED DOCUMENT.		DWN M. SHIRK 30DEC2009	 TE Connectivity		
		CHK D. SZCZESNY 30DEC2009			
DIMENSIONS: mm		TOLERANCES UNLESS OTHERWISE SPECIFIED: 0 PLC ± 1 PLC ± 2 PLC ± 3 PLC ± 4 PLC ± ANGLES ± FINISH		NAME CFP HARDWARE KIT W/ HEATSINK, SIDE TO SIDE AIRFLOW	
		PRODUCT SPEC 108-2399 APPLICATION SPEC 114-13263		SIZE CAGE CODE DRAWING NO RESTRICTED TO A200779 C-2132404	
MATERIAL		WEIGHT		SCALE SHEET OF REV	
		CUSTOMER DRAWING		C1	

单击下面可查看定价，库存，交付和生命周期等信息

[>>TE Connectivity\(泰科\)](#)