

© 2019 TE Connectivity. All Rights Reserved.

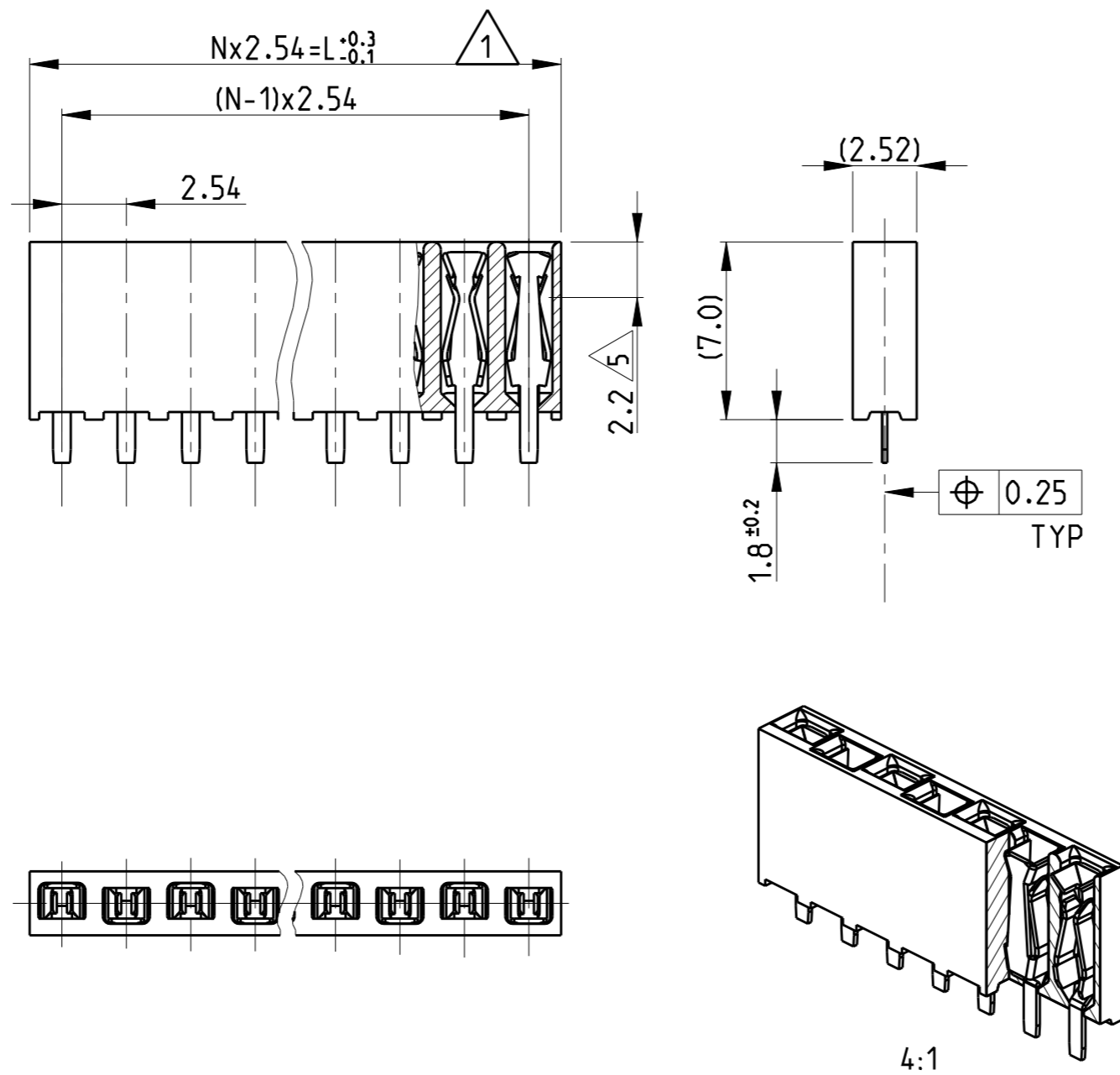
REVISIONS

POS.	L ^{+0.3} _{-0.1}	PART-NO. ⁶	PART-NO. ⁷
2	5.08	-2	5- -2
3	7.62	1241850-3	5- -3
4	10.16	-4	5- -4
5	12.70	-5	5- -5
6	15.24	1241850-6	5-1241850-6
7	17.78	1241850-7	5-1241850-7
8	20.32	-8	5- -8
9	22.86	-9	5- -9
10	25.40	1-	-0 6- -0
11	27.94	1-	-1 6- -1
12	30.48	1-	-2 6- -2
13	33.02	1-	-3 6- -3
14	35.56	1-	-4 6- -4
15	38.10	1-	-5 6- -5
16	40.64	1-	-6 6- -6
17	43.18	1-	-7 6- -7
18	45.72	1-	-8 6- -8
19	48.26	1-	-9 6- -9
20	50.80	2-	-0 7- -0
21	53.34	2-	-1 7- -1
22	55.88	2-	-2 7- -2
23	58.42	2-	-3 7- -3
24	60.96	2-	-4 7- -4
25	63.50	2-	-5 7- -5
26	66.04	2-	-6 7- -6
27	68.58	2-	-7 7- -7
28	71.12	2-	-8 7- -8
29	73.66	2-	-9 7- -9
30	76.2	3-	-0 8- -0
31	78.74	3-	-1 8- -1
32	81.28	3-	-2 8- -2
33	83.82	3-	-3 8- -3
34	86.36	3-	-4 8- -4
35	88.90	3-	-5 8- -5
36	91.44	3-	-6 8- -6

P	LTR	DESCRIPTION	DATE	DWN	APVD
	C	PLASTIC MATERIAL SUPPLIER CHANGE	18MAR2019	SS	PS

NOTES:

- 1 TO DETERMINE DIMENSIONS TAKE N = NR. OF POS.
FOR EXAMPLE: 10 POS; N x 2.54 = 25.4mm
FOR ORDER NO: USE BASIC - NR. + NR. OF POS.
FOR EXAMPLE: 2POS. = 1241850-2 (SHORTEST VERSION)
36POS. = 3-1241850-6 (LONGEST VERSION)
- 2 HOUSING MATERIAL: PBT GREEN GLASS FILLED, UL 94V-0
CONTACT MATERIAL: PHOSPHOR BRONZE
- 3 PLATING 2.5-4.0 μm TIN OVER 0.5 μm NICKEL
- 4 MATES WITH 0.63 SQUARE/ROUND MODU POSTS
- 5 CONTACT POINT
- 6 HV100 CONNECTOR PACKED IN ANTI-STATIC BLISTER TRAY
- 7 HV100 CONNECTOR PACKED IN ANTI-STATIC TUBE (SEE SHEET 2/2)



D

D

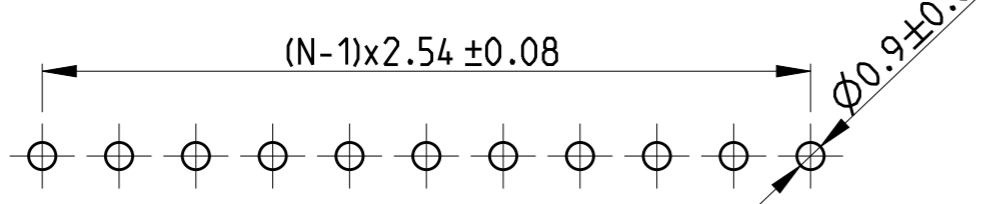
C

C

B

B

RECOMMENDED PCB LAYOUT



THIS DRAWING IS A CONTROLLED DOCUMENT.		DWN M. Pfeilschiffer 23MAY2000		
		CHK R. Blumenschein 23MAY2000		
DIMENSIONS: mm	TOLERANCES UNLESS OTHERWISE SPECIFIED: ±0.15	APVD -	NAME HV100 CONNECTOR ; VERTICAL ; 7.0mm TOP ENTRY; SINGLE ROW ; TIN	
	0 PLC ± 1 PLC ± 2 PLC ± 3 PLC ± 4 PLC ± ANGLES ±	PRODUCT SPEC 108-19056	SIZE A3	CAGE CODE 00779
MATERIAL 2	FINISH 3	APPLICATION SPEC -	DRAWING NO C-1241850	RESTRICTED TO
CUSTOMER DRAWING			SCALE 5:1	SHEET 1 OF 2

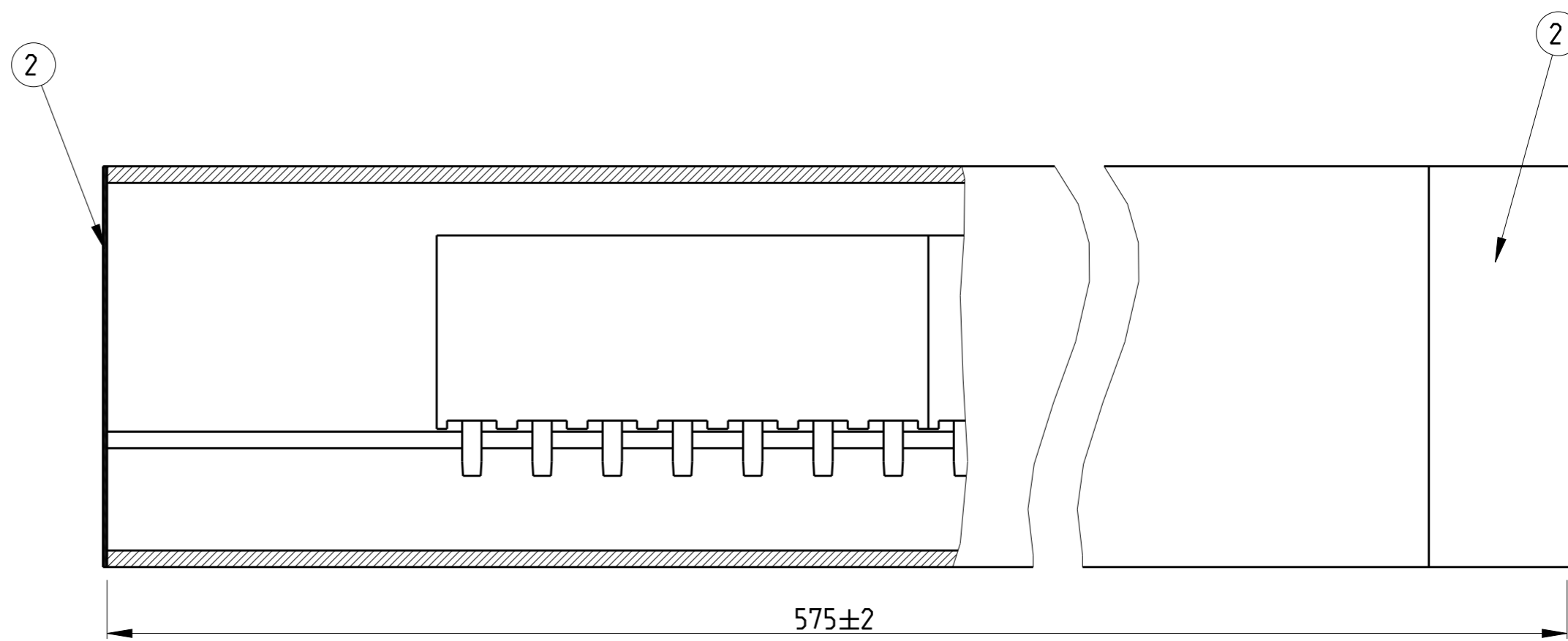
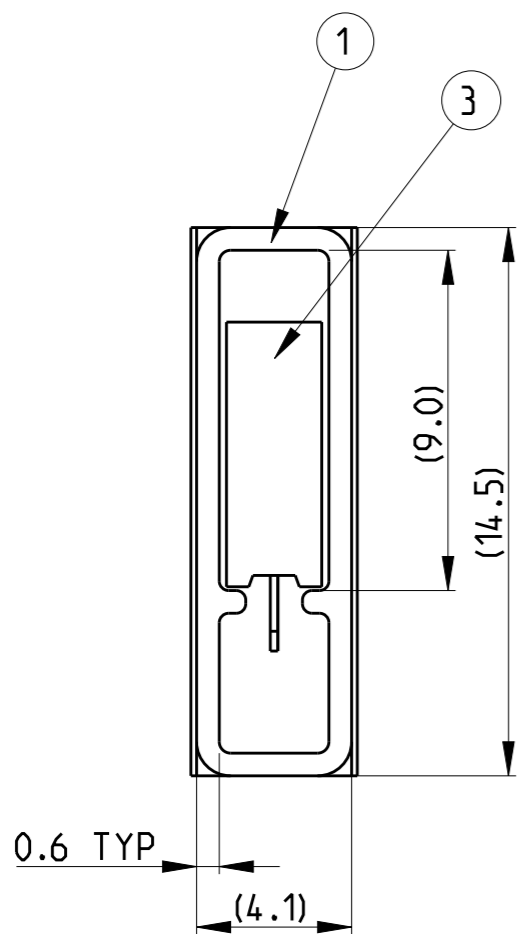
A

A

© 2019 TE Connectivity. All Rights Reserved.

REVISIONS

P	LTR	DESCRIPTION	DATE	DWN	APVD
-	-	SEE SHEET 1	-	-	-



-	-	31	-	1241850-7	-	HV 100 CONNECTOR	3
-	-	-	36	1241850-6	-	HV 100 CONNECTOR	3
-	-	2	2		-	CLOSURE TAPE	2
-	-	1	1		-	TUBE	1
-	-	-	-	PART NUMBER	REV	DESCRIPTION	ITEM NO
-	-	5--7	5--6	DASH NO.			
QTY REQD PER ASSY				PARTS LIST			

THIS DRAWING IS A CONTROLLED DOCUMENT.

DWN M. Pfeilschiffer 23MAY2000
CHK R. Blumenschein 23MAY2000
APVD -

TE TE Connectivity

NAME HV100 CONNECTOR ; VERTICAL ; 7.0mm TOP ENTRY; SINGLE ROW ; TIN

PRODUCT SPEC 108-19056
APPLICATION SPEC -

SIZE A3 CAGE CODE 00779 DRAWING NO C-1241850 RESTRICTED TO

WEIGHT -

CUSTOMER DRAWING SCALE 5:1 SHEET 2 OF 2 REV C

DIMENSIONS:	TOLERANCES UNLESS OTHERWISE SPECIFIED:
mm	±0.15
0 PLC	±
1 PLC	±
2 PLC	±
3 PLC	±
4 PLC	±
ANGLES	±
MATERIAL	FINISH
2	3

单击下面可查看定价，库存，交付和生命周期等信息

[>>TE Connectivity\(泰科\)](#)