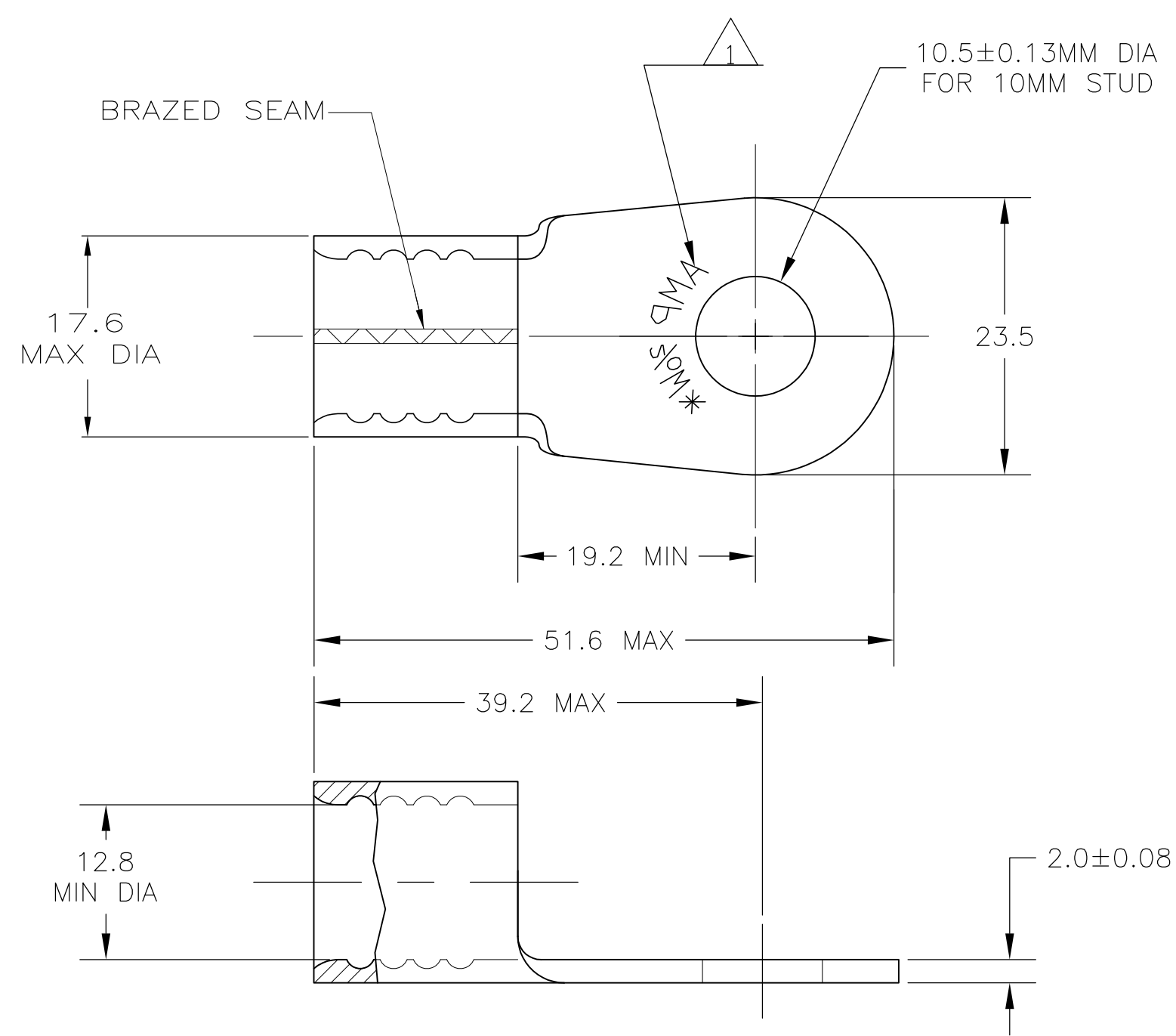


THIS DRAWING IS UNPUBLISHED. RELEASED FOR PUBLICATION  
 © COPYRIGHT - BY TYCO ELECTRONICS CORPORATION. ALL RIGHTS RESERVED.

| LOC | DIST | REVISIONS |     |                       |         |     |      |
|-----|------|-----------|-----|-----------------------|---------|-----|------|
| G   | 05   | P         | LTR | DESCRIPTION           | DATE    | DWN | APVD |
|     |      | E         |     | REV PER ECR-10-000722 | 22JAN10 | JR  | TM   |



**AMP**  
WIRE RANGE

2/0 AWG  
SOLID OR STRANDED

- 1 STAMP "AMP 2/0W\*", LOCATED APPROX AS SHOWN
- 2 MAX OPERATION TEMPERATURE IS 170°C MAX
- 3 WIRE CROSS SECTIONAL AREA IS 60.6-76.3mm<sup>2</sup> [119,500-150,000] CMA.
- 4 COPPER PER ASTM B-152, ANNEALED
- 5 TIN PLATE 0.00254 [.000100] MIN THK EXT PER ASTM B-545

|     |              |          |
|-----|--------------|----------|
| 50  | LOOSE PIECE  | 160001   |
| QTY | PACKAGE TYPE | PART NO. |

|   |  |                  |               |                  |   |
|---|--|------------------|---------------|------------------|---|
| THIS DRAWING IS A CONTROLLED DOCUMENT.  |  | DWN              | JR RUTH       | 13JUN05          | Tyco Electronics Corporation<br>Harrisburg, Pa 17105-3608 |
| DIMENSIONS: INCHES  |  | CHK              | T MICHIELUTTI | 13JUN05          |   |
| TOLERANCES UNLESS OTHERWISE SPECIFIED:  |  | APVD             | T MICHIELUTTI | 13JUN05          |   |
| 0 PLC ± -<br>1 PLC ± 0.2<br>2 PLC ± -<br>3 PLC ± -<br>4 PLC ± -<br>ANGLES ± - |  | PRODUCT SPEC     |               | NAME             |   |
| MATERIAL - 4  |  | FINISH 5         |               | APPLICATION SPEC | TERMINAL, RING TONGUE, SOLISTRAND                         |
|   |  | WEIGHT           | -             |                  | SIZE  |
|   |  | CUSTOMER DRAWING |               | SCALE            | 2:1   |
|   |  |                  |               | SHEET            | 1 OF 1  |
|   |  |                  |               | REV              | E   |
|   |  |                  |               | DRAWING NO       | A300779 C-160001  |
|   |  |                  |               | RESTRICTED TO    | -   |

单击下面可查看定价，库存，交付和生命周期等信息

[>>TE Connectivity\(泰科\)](#)