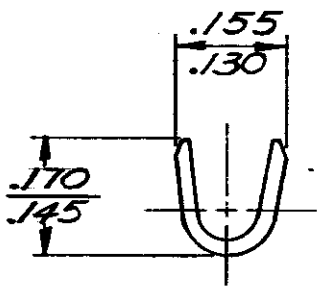
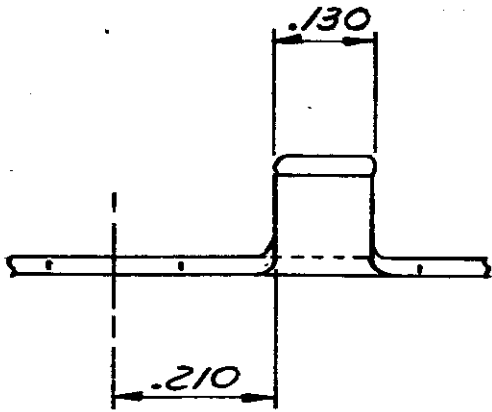
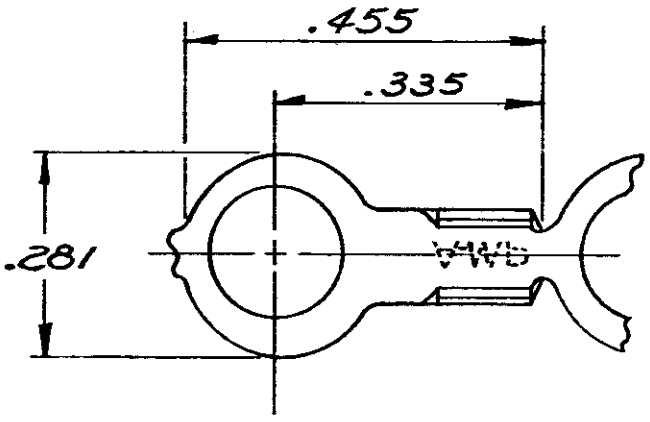


NUMBER 61142



CONTINUOUS STRIP, ON REELS

WIRE SIZE A.W.G.	STUD #	HOLE DIA. ±.003	MATERIAL AND FINISH	TERMINAL NUMBER
18-14	6	.145	.020 BRASS-NONE	61142-1
18-14	6	.145	.020 BRASS-TIN	61142-2

DIMENSIONS IN INCHES. DO NOT SCALE PRINT.

©1967 BY AMP INCORPORATED. ALL RIGHTS RESERVED. AMP PRODUCTS COVERED BY PATENTS AND/OR PATENTS PENDING.

CUSTOMER COPY REFERENCE ONLY

MATERIAL AND FINISH

AMP AMP INCORPORATED HARRISBURG, PENNA.

WIRE — RANGE — INSULATION

CLASS — H —

TOLERANCE EXCEPT AS NOTED ± .015 ± 1° 0'

TYPE — H —

NAME RING

B	OBS-1	AF1608	SS	8/2/67
A	ADDED	61142-2	GY	8/1/67
WAS - P-29500				
LTR	REVISION RECORD	DR	CHK	DATE
DR	CLAIR E. FINK	DE	C. MEYERS	1-26-67
CHK	1-25-67	APP		

LOC NO A 61142 REV B

单击下面可查看定价，库存，交付和生命周期等信息

[>>TE Connectivity\(泰科\)](#)