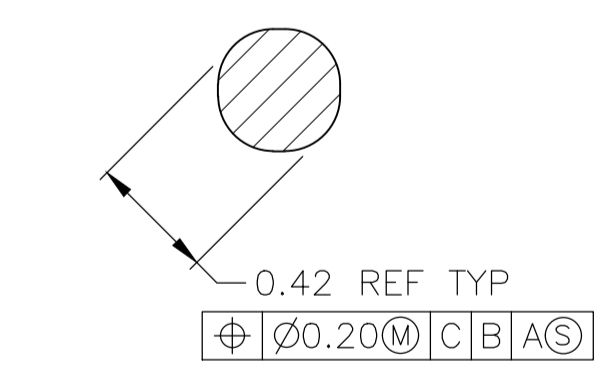
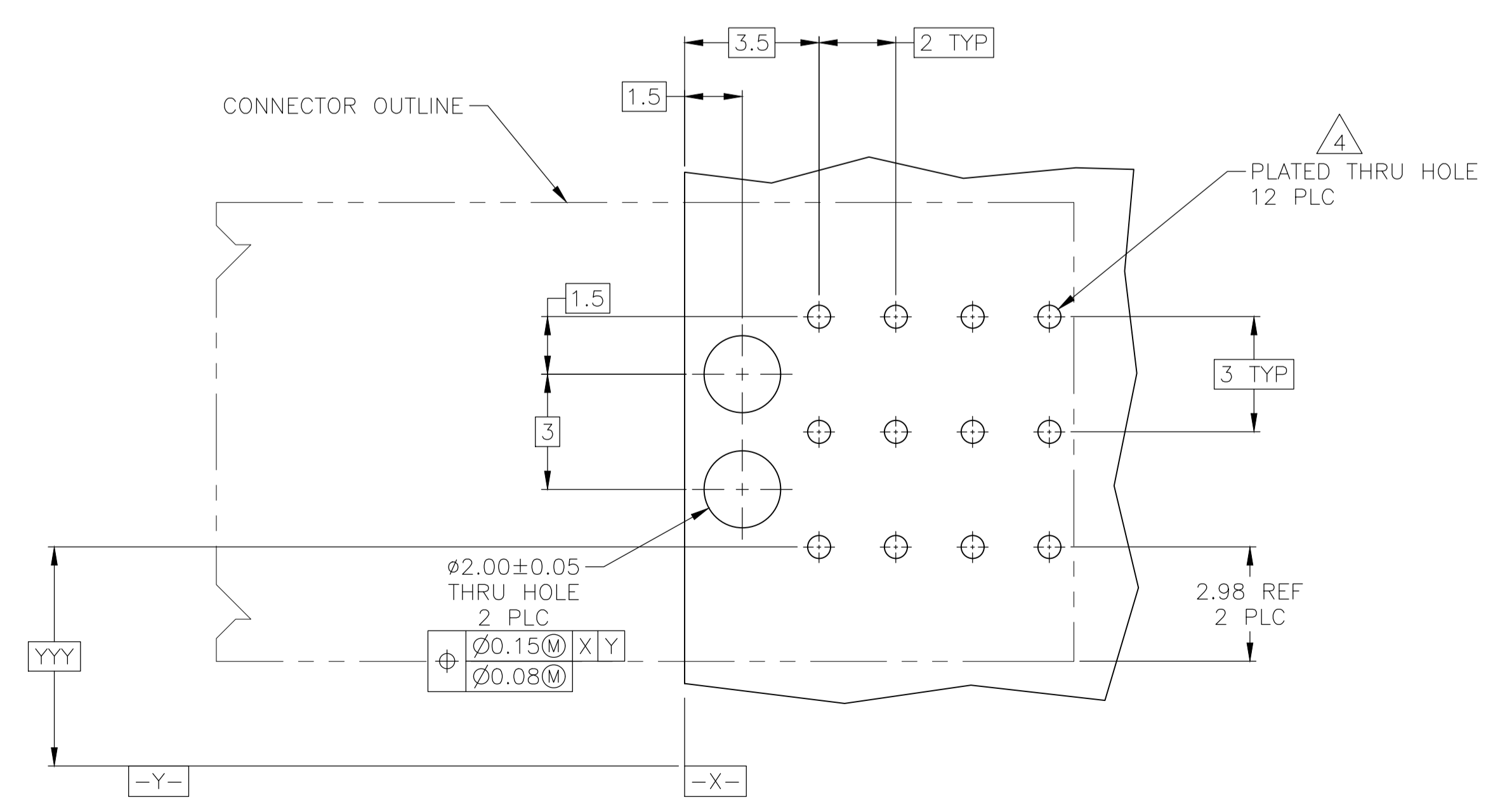
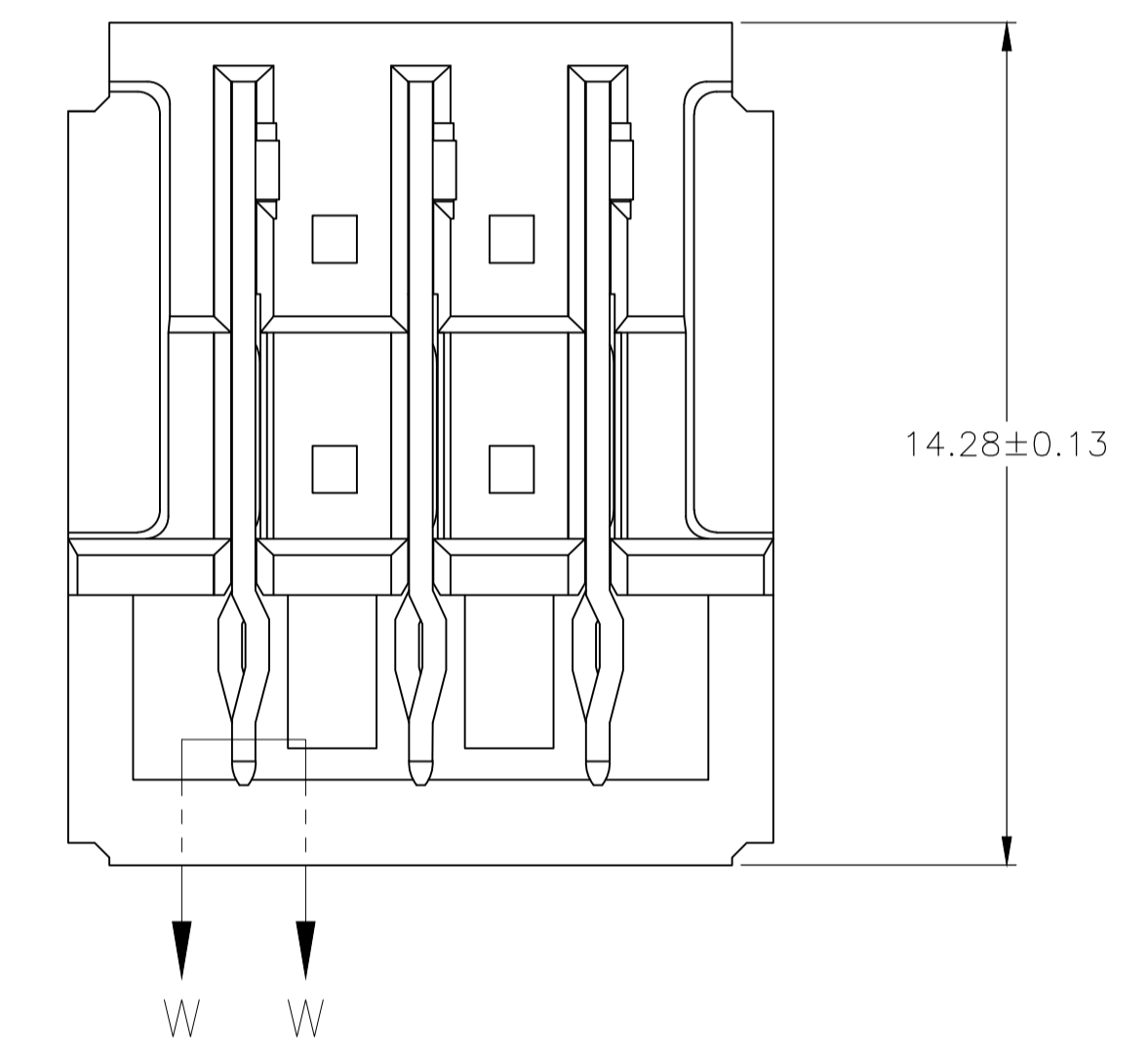


- 1 HOUSING: POLYESTER, GRAY, UL94 V-0.
CONTACT: HIGH CONDUCTIVITY COPPER ALLOY.
- 2 FINISH: IN ACCORDANCE WITH PRODUCT SPECIFICATION 108-1651, GOLD PLATING OR EQUIVALENT PLATING ON PRODUCT CONTACT MATING AREA, AND MATTE TIN PLATING ON COMPLIANT PIN AREA, ALL OVER MATTE NICKEL UNDERPLATED. DETAIL PLEASE REFER TO PRODUCT SPECIFICATION 108-1651.
- 3 CONTACT LUBRICATION WITH BELCORE APPROVED LUBRICANT. TECHNICAL REFERENCE: TR-NWT-001217 ISSUE 1, SEPT 1992.
- 4 REFERENCE APPLICATION SPEC 114-1103 FOR RECOMMENDED PLATED THRU HOLE DIAMETER AND PLATING THICKNESS.



SECTION W-W
SCALE 40:1

| | | | | |
|---|--|--|------------------------|--|
| 2/3 | A | B & C | 3 | 5120938-2 |
| 2/3 | B & C | A | 3 | 5120938-1 |
| FINISH | POSITIONS LOADED WITH 10.90 REF CONTACTS | POSITIONS LOADED WITH 7.68 REF CONTACTS | NO OF LOADED POSITIONS | PART NUMBER |
| THIS DRAWING IS A CONTROLLED DOCUMENT. DIMENSIONS: mm TOLERANCES UNLESS OTHERWISE SPECIFIED: 0 PLC ± - 1 PLC ± 0.13 2 PLC ± 0.13 3 PLC ± - 4 PLC ± - ANGLES ± - | | DWN B CARBO 108EC04 CHK R PATTERSON 108EC04 APPV R PATTERSON 108EC04 NAME R PATTERSON PRODUCT SPEC 108-1651 APPLICATION SPEC 114-1103 WEIGHT - CUSTOMER DRAWING | | Tyco Electronics Corporation Harrisburg, PA 17105-3608 UPM RIGHT ANGLE HEADER W/ RETENTION PEGS UNIVERSAL POWER MODULE SIZE A1 CAGE CODE 00779 DRAWING NO 5120938 RESTRICTED TO REV B2 |
| SCALE 8:1 | | SHEET 1 OF 1 | | REV B2 |

单击下面可查看定价，库存，交付和生命周期等信息

[>>TE Connectivity\(泰科\)](#)