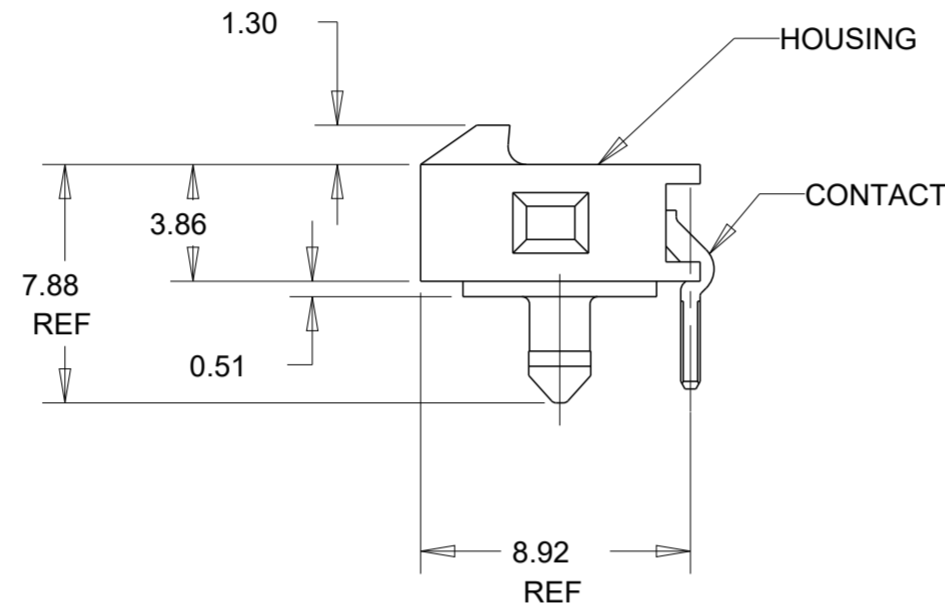
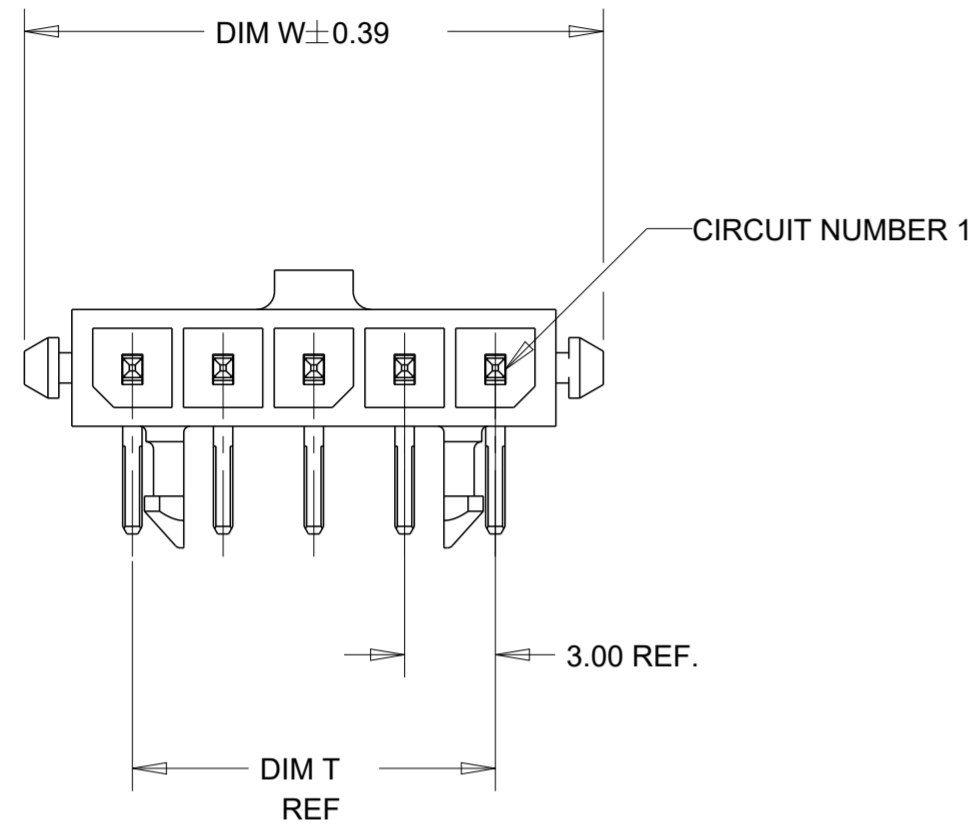
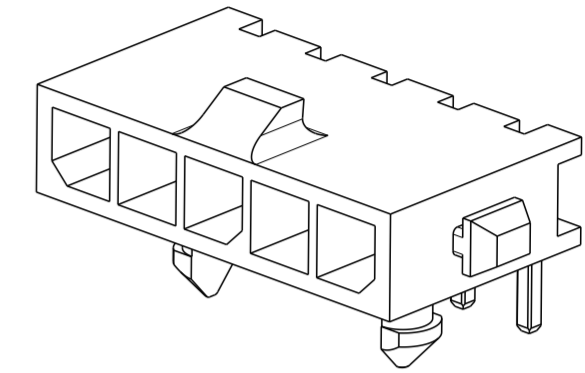


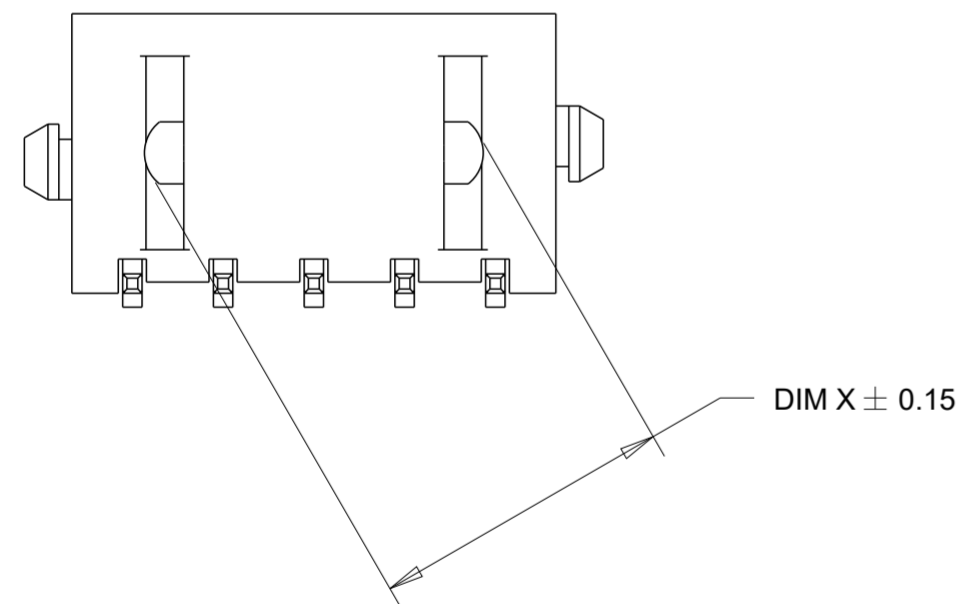
THIS DRAWING IS UNPUBLISHED. RELEASED FOR PUBLICATION 2011
 © COPYRIGHT 2011 ALL RIGHTS RESERVED.

LOC	DIST	REVISIONS					
CM	00	P	LTR	DESCRIPTION	DATE	DWN	APVD
		A2		REVISED PER ECR-16-011506	23JUN2017	NK	CX
		A3		ECO-19-006934	10MAY2019	AP	WLS
		B		REVISED PER ECN-20-100924	15DEC2020	WLS	VS



- 1 MATERIAL: HOUSING - UL 94V-0 RATED HIGH TEMP., NYLON, COLOR BLACK. CONTACTS - BRASS
- 2 RECOMMENDED PC BOARD THICKNESS OF 1.57.
- 3 PLATING: CONTACTS - 0.38µm MINIMUM GOLD ON MATING AREA. 2.54µm MINIMUM MATTE TIN ON SOLDER TAILS. ALL OVER 1.27µm MINIMUM NICKEL.

- 4 COUNTERPART RECOMENDED IS PN 1445022 9DASH ACCORDING TO NUMBER OF POSITION).
- 5 FOR REELING DIRECTION AND PACKAGING TYPE, SEE SPECIFICATION 114-13000.



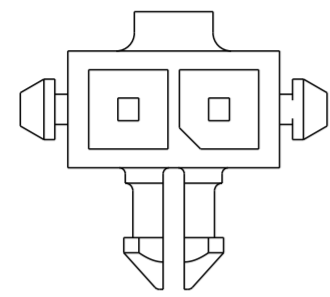
32.20	33.00	28.70	33.00	40.14	12	3-1445089-2
29.20	30.00	25.70	30.00	37.14	11	3-1445089-1
26.20	27.00	22.70	27.00	34.14	10	3-1445089-0
23.20	24.00	19.70	24.00	31.14	9	2-1445089-9
20.20	21.00	16.70	21.00	28.14	8	2-1445089-8
17.20	18.00	13.70	18.00	25.14	7	2-1445089-7
14.20	15.00	10.70	15.00	22.14	6	2-1445089-6
11.20	12.00	7.70	12.00	19.14	5	2-1445089-5
8.00	9.00	4.70	9.00	16.14	4	2-1445089-4
3.30	-	-	6.00	13.14	3	2-1445089-3
3.30	-	-	3.00	10.14	2	2-1445089-2
DIM X	DIM Z	DIM V	DIM T	DIM W	NO. OF POSN	PART NUMBER

THIS DRAWING IS A CONTROLLED DOCUMENT.		DWN J.ROOT 09OCT2000	TE Connectivity		
DIMENSIONS: mm		CHK K. WHITAKER 17-APR-2001			
TOLERANCES UNLESS OTHERWISE SPECIFIED:		APVD C. JONES 17-APR-2001	NAME RIGHT ANGLE THRU HOLE HEADER ASSY, 0.38 MIC GOLD CONTACTS, WITH PLASTIC HOLDDOWNS, SGL ROW, MICRO MATE-N-LOK TM		
0 PLC ± 1 PLC ± 2 PLC ±0.13 3 PLC ± 4 PLC ±		PRODUCT SPEC 108-1836	SIZE A2	CAGE CODE 00779	DRAWING NO. 1445089
ANGLES ±° FINISH		APPLICATION SPEC 114-13000	RESTRICTED TO -	SCALE 4:1	
MATERIAL		WEIGHT -	SHEET 1 OF 2		REV B
1		CUSTOMER DRAWING			

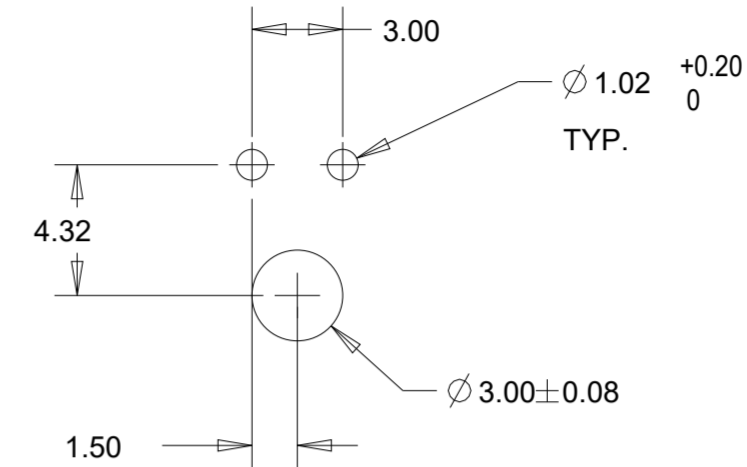
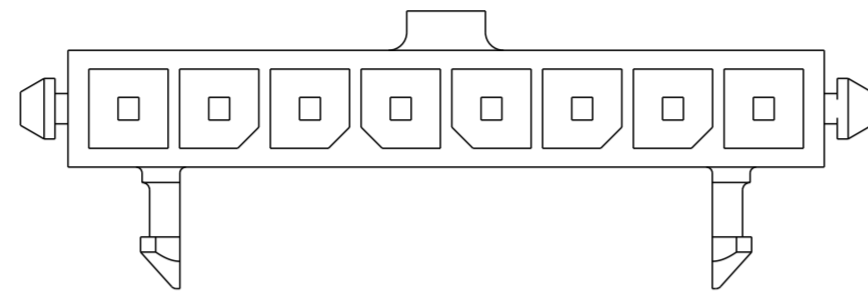
THIS DRAWING IS UNPUBLISHED. RELEASED FOR PUBLICATION 2011
 © COPYRIGHT 2011 ALL RIGHTS RESERVED.

LOC	DIST	REVISIONS			
P	LTR	DESCRIPTION	DATE	DWN	APVD
CM	00	SEE SHEET 1			

2 POS.



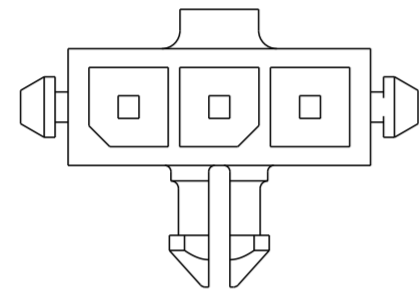
8 POS.



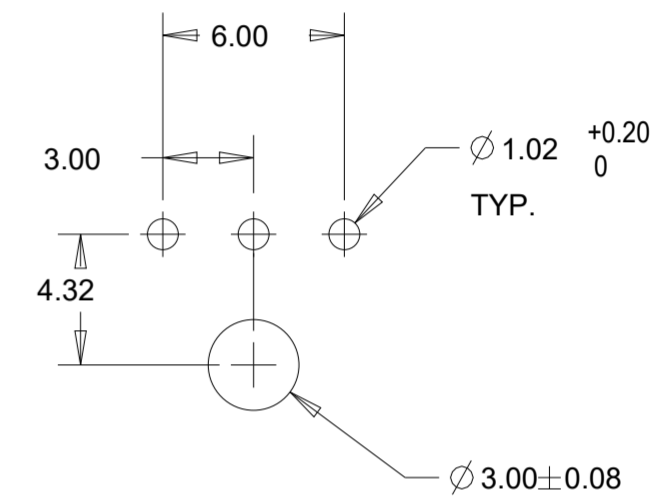
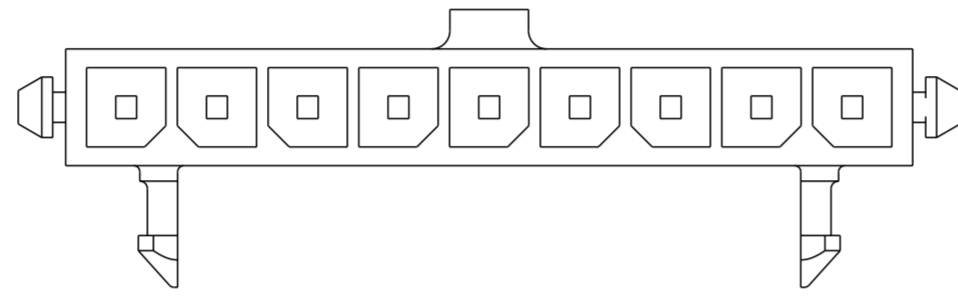
PCB LAYOUT FOR 2 POSITION COMPONENT SIDE



3 POS.



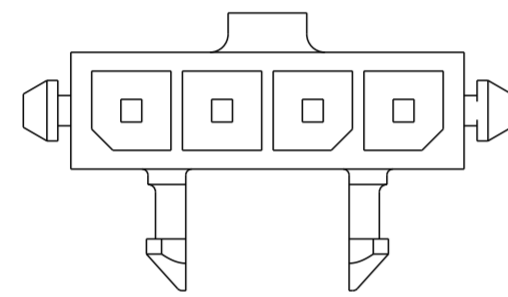
9 POS.



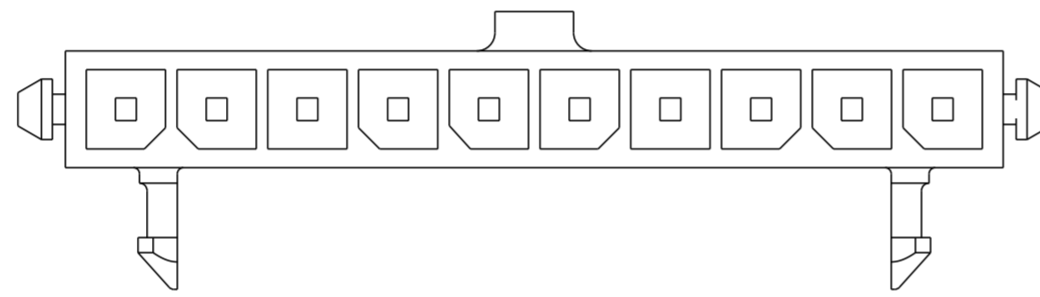
PCB LAYOUT FOR 3 POSITION COMPONENT SIDE



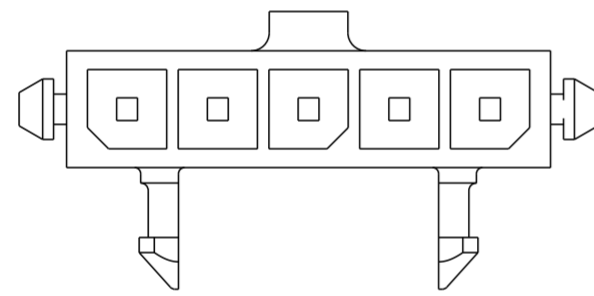
4 POS.



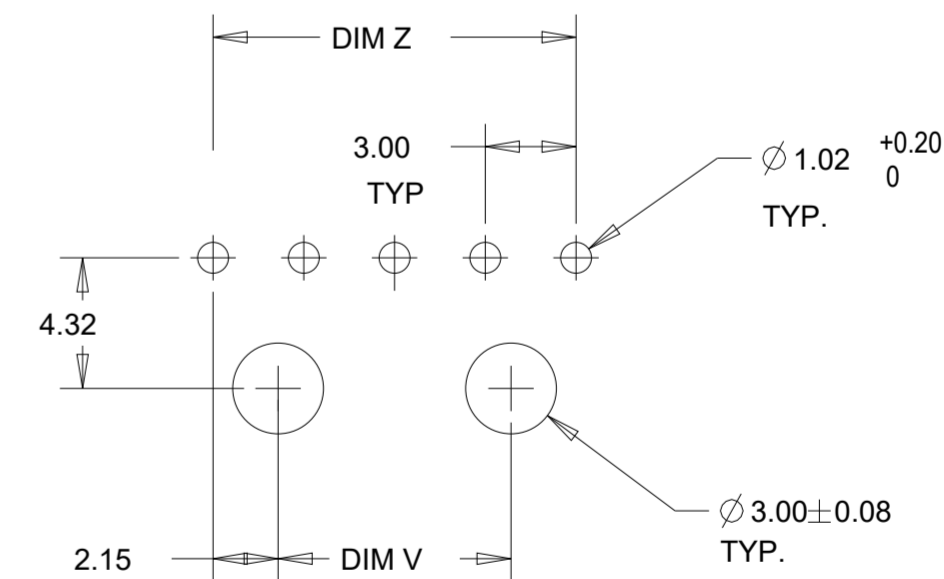
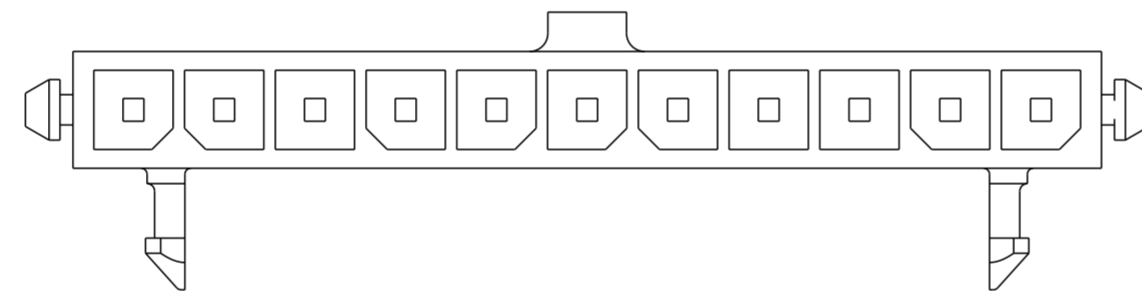
10 POS.



5 POS.



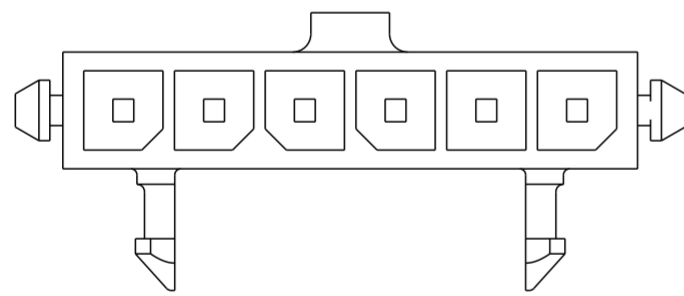
11 POS.



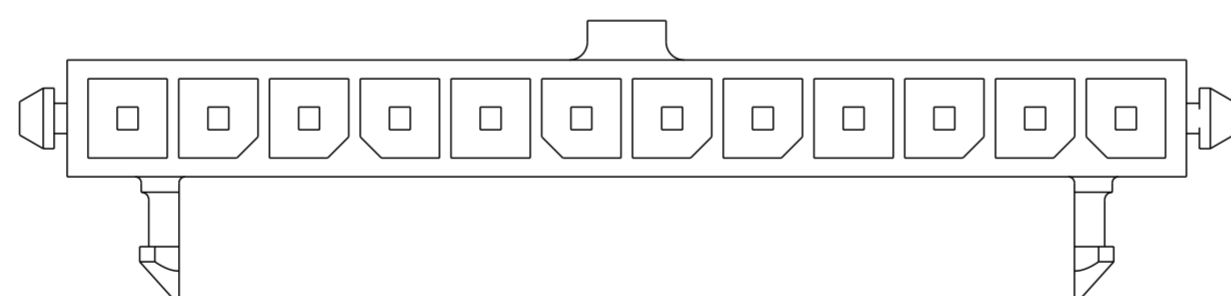
PCB LAYOUT FOR 4-12 POSITION COMPONENT SIDE



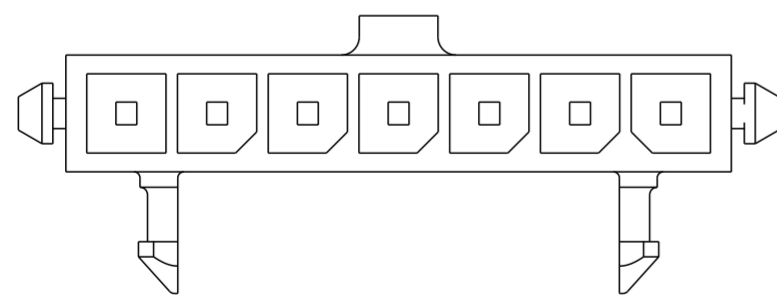
6 POS.



12 POS.



7 POS.



KEYING POSITION BI SIZE

THIS DRAWING IS A CONTROLLED DOCUMENT.		DWN J.ROOT 09OCT2000	TE Connectivity	
DIMENSIONS:		CHK K. WHITAKER 17-APR-2001		
mm	TOLERANCES UNLESS OTHERWISE SPECIFIED:	APVD C. JONES 17-APR-2001	NAME RIGHT ANGLE THRU HOLE HEADER ASSY, 0.38 MIC GOLD CONTACTS, WITH PLASTIC HOLDDOWNS, SGL ROW, MICRO MATE-N-LOK TM	
	0 PLC ±	PRODUCT SPEC	SIZE	RESTRICTED TO
	1 PLC ±	APPLICATION SPEC	A2	
	2 PLC ±0.13	WEIGHT	00779	
	3 PLC ±	CUSTOMER DRAWING	SCALE	
	4 PLC ±		5:1	
	ANGLES ±1°		SHEET	
	FINISH		2	
MATERIAL			OF	
			2	
			REV	
			B	

单击下面可查看定价，库存，交付和生命周期等信息

[>>TE Connectivity\(泰科\)](#)