

THIS DRAWING IS UNPUBLISHED.

RELEASED FOR PUBLICATION

20

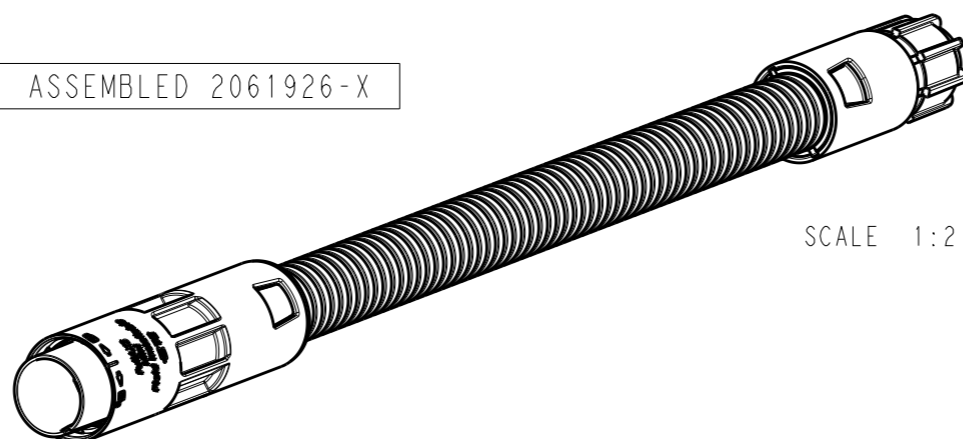
© COPYRIGHT 20 BY -

ALL RIGHTS RESERVED.

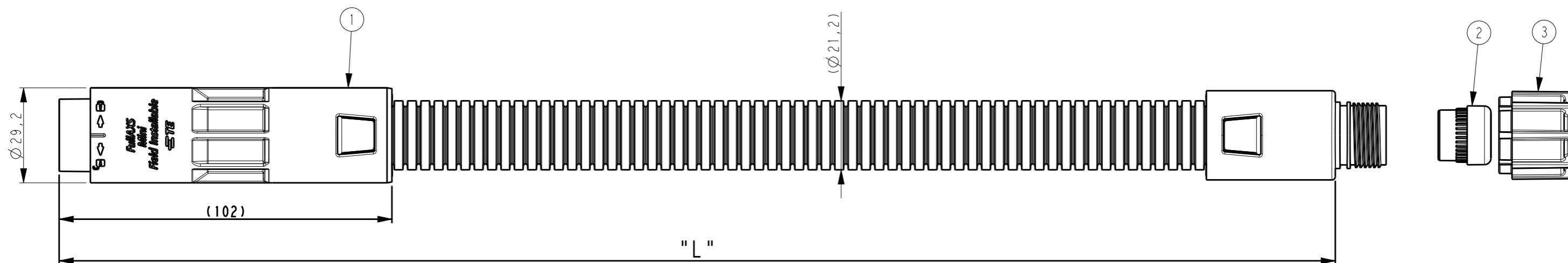
REVISIONS

P	LTR	DESCRIPTION	DATE	DWN	APVD
	A	RELEASE	02NOV2016	KZ	RS

ASSEMBLED 2061926-X



SCALE 1:2


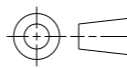


TE Part Number	"L" (mm)	Cable Diameter
2061926-1	500 ±20	4.8±0.2 mm
2061926-2	300 ±20	4.8±0.2 mm

NOTES:

- THIS FIELD INSTALL KIT SHOULD BE USED WITH RUGGEDIZED CABLE AND RUGGED FAN-OUT CONSTRUCTION. NO 900 MICRON TERMINATIONS TO BE USED.
- CABLE DIAMETER RANGE: SEE TABLE
- THE FLAMMABILITY RATING OF THE MATERIAL IS UL94-V0
- THE MATERIAL IS HALOGEN FREE ACCORDING IEC 60754-2
- EACH ASSEMBLY IS PACKED IN A PROTECTIVE SLEEVE - GLAND SEAL AND NUT ARE SEPARATELY SEALED
- AN INSTRUCTION SHEET IS PACKED WITH EACH FIELD INSTALL KIT

Item	Description	Qty
3	FuIIFLEX MINI FIELD INSTALL NUT FOR CABLE GLAND	1
2	FuIIFLEX MINI FIELD INSTALL CABLE GLAND SEAL	1
1	FuIIFLEX MINI FIELD INSTALL CORRUGATED TUBE with COUPLING	1

THIS DRAWING IS A CONTROLLED DOCUMENT.		DWN R. COOLEN 08APR2015		 TE Connectivity			
DIMENSIONS: mm		CHK M. SCHOLTEN 08APR2015				NAME FuIIFLEX MINI FIELD INSTALL KIT	
		APVD S. BORGAS 08APR2015					
TOLERANCES UNLESS OTHERWISE SPECIFIED:		PRODUCT SPEC -		SIZE A3			
0 PLC ±0,5		APPLICATION SPEC -		CAGE CODE -			
1 PLC ±0,25		WEIGHT -		DRAWING NO C-2061926			
2 PLC ±0,03		CUSTOMER DRAWING		RESTRICTED TO -			
3 PLC ±0,005		SCALE 4:5		SHEET 1 OF 1			
4 PLC ±0,0010		REV A					
ANGLES ±1							
MATERIAL -							
FINISH -							

单击下面可查看定价，库存，交付和生命周期等信息

[>>TE Connectivity\(泰科\)](#)