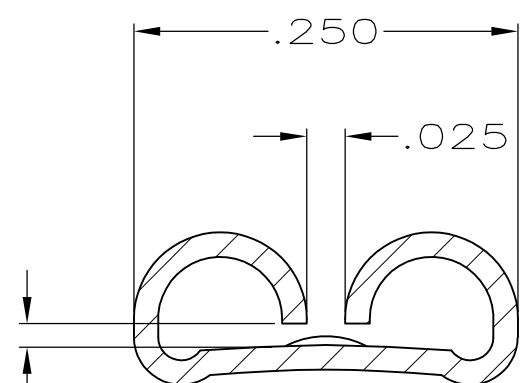
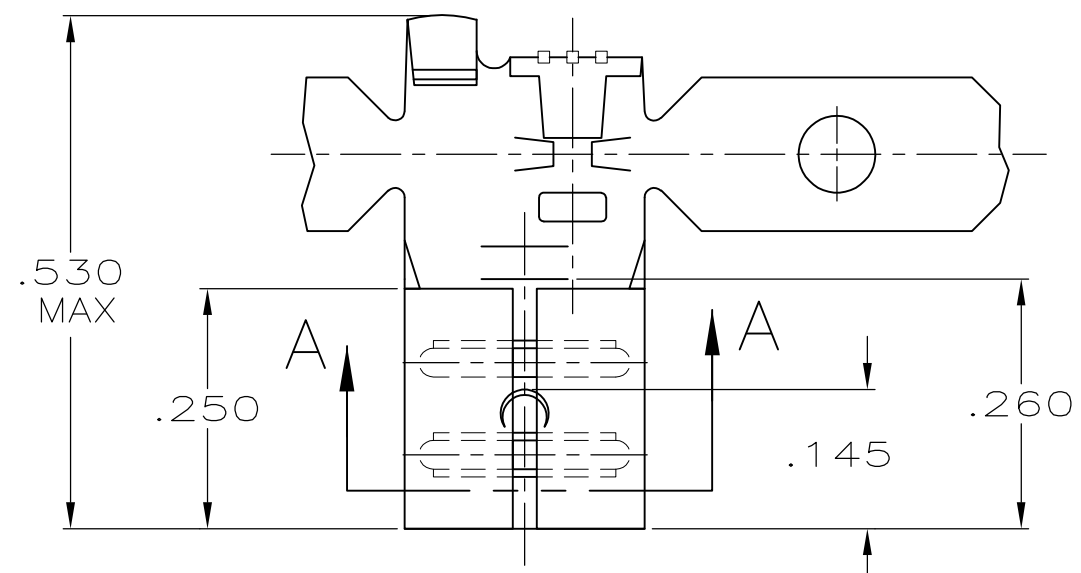


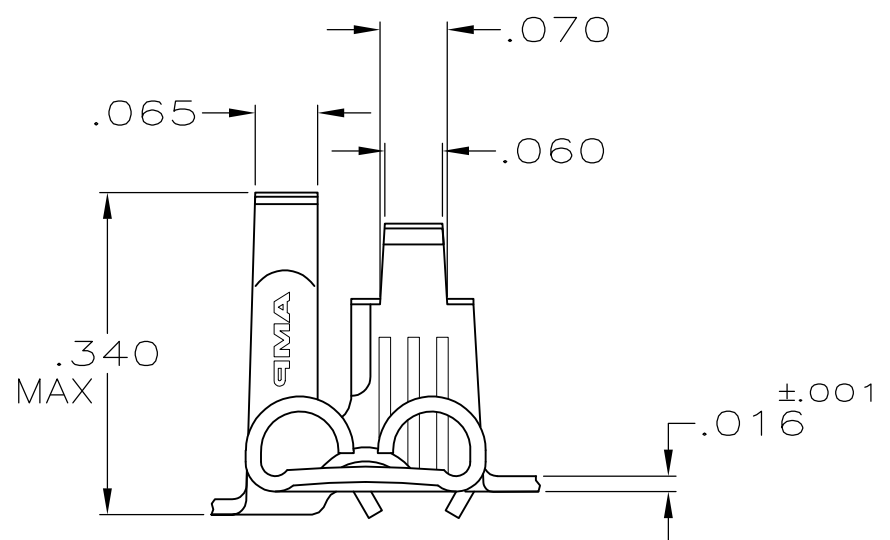
THIS DRAWING IS UNPUBLISHED. RELEASED FOR PUBLICATION
 © COPYRIGHT - By - ALL RIGHTS RESERVED.

LOC	DIST	REVISIONS			
P	LTR	DESCRIPTION	DATE	DWN	APVD
AF	50	E	REVISED PER ECR-12-013459	27NOV2012	KH PD

- 1 CONTINUOUS STRIP ON REELS
- 2 FEED IS $.650 \pm .005$



FITS .205 SERIES FASTON TAB
 SECTION A-A
 SCALE 8:1



.110-.170	20-14	.020	62354-1
INSULATION RANGE	WIRE SIZE	MATING TAB THK ±.001	PART NO.
THIS DRAWING IS A CONTROLLED DOCUMENT.		DWN JR RUTH 1/26/90	TE Connectivity RECEPTACLE, FASTON, FLAG, .205 SERIES
DIMENSIONS: INCHES		CHK MS FEHER 1/26/90	
TOLERANCES UNLESS OTHERWISE SPECIFIED:		APVD C MEYERS 1/26/90	
0 PLC ± - 1 PLC ± - 2 PLC ± - 3 PLC ± .015 4 PLC ± - ANGLES ± -		PRODUCT SPEC	NAME
MATERIAL BRASS		FINISH TIN	SIZE A3 CAGE CODE 00779 DRAWING NO C-62354 RESTRICTED TO -
CUSTOMER DRAWING			SCALE 5:1 SHEET 1 OF 1 REV E

单击下面可查看定价，库存，交付和生命周期等信息

[>>TE Connectivity\(泰科\)](#)