

4

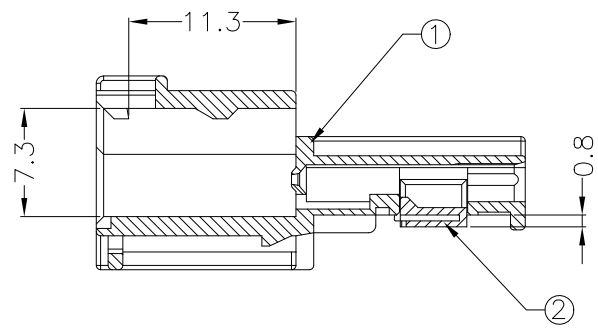
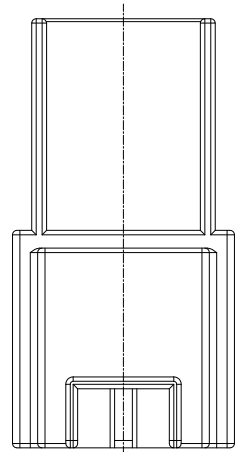
3

2

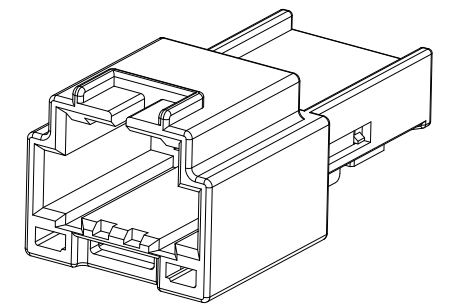
1

THIS DRAWING IS UNPUBLISHED. RELEASED FOR PUBLICATION
© COPYRIGHT BY TYCO ELECTRONICS CORPORATION, ALL RIGHTS RESERVED.

LOC	DIST	REVISIONS					
		P	LTR	DESCRIPTION	DATE	DWN	APVD
DS	-			RELEASED (FC00-0050-02)	28.MAR.'02	HS	CS
				REVISED (ECR-09-002852)	10.FEB.'09	KT	HG



SECTION A-A
(SCALE 2/1)



3D VIEW

NOTES

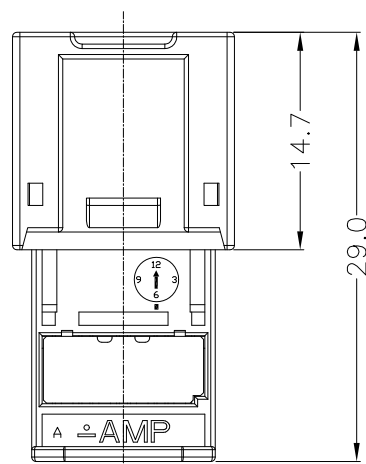
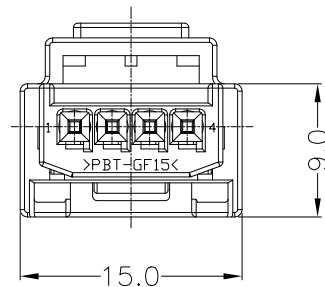
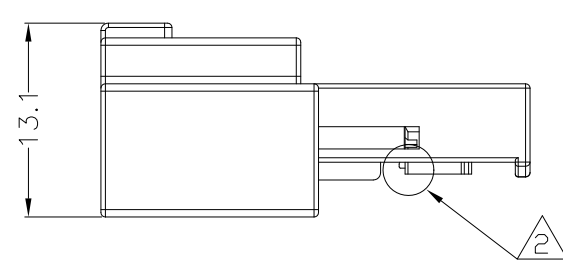
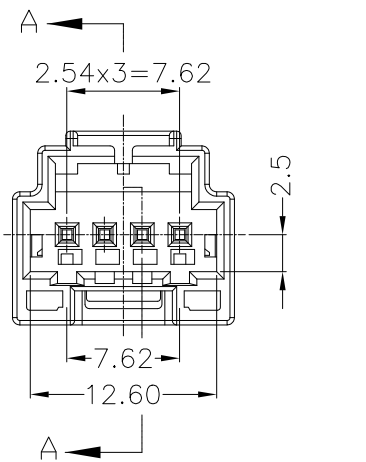
- GENERAL TOLERANCE IS ±0.3
- CONDITION OF DELIVERY : DBL IN 1ST LOCKING POSITION
- APPLIED CLIP HSG:

Part NO.	PANEL THICKNESS	PANEL HOLE SIZE
368165	0.7~1.6mm	
368373	0.5~2.0mm	

- APPLIED PLUG ASS'Y P/N: 936119
- APPLIED TAB CONTACT P/N:

Part NO.	928918	963716
WIRE SIZE(mm ²)	0.25~0.5	0.75

ASSY P/N	936121-2	936121-1
----------	----------	----------



NO	COLOR	MATERIAL	DESCRIPTION	P/N	QTY
2	WHITE	PBT GF15	DBL HSG	936123-1	1
1	YELLOW	PBT GF15	CAP HSG	936122-2	1
	BLACK	PBT GF15	CAP HSG	936122-1	1

<small>THIS DRAWING IS A CONTROLLED DOCUMENT FOR TYCO ELECTRONICS CORPORATION. IT IS SUBJECT TO CHANGE AND THE CONTROLLING ENGINEERING ORGANIZATION SHOULD BE CONTACTED FOR THE LATEST REVISION.</small>		DWN KT JUNG CHK JW JUNG APVD HG CHD PRODUCT SPEC - APPLICATION SPEC - WEIGHT -		AMP KOREA, Kyungsan, Korea MQS 4P CAP ASSEMBLY	
DIMENSIONS: MM 		TOLERANCES UNLESS OTHERWISE SPECIFIED: 0 PLC ± 1 PLC ± 2 PLC ± 3 PLC ± 4 PLC ± ANGLES ± MATERIAL FINISH		NAME SIZE CAGE CODE DRAWING NO RESTRICTED TO A3 00779 C=936121 -	
MATERIAL SEE TABLE		CUSTOMER DRAWING		SCALE 2/1 SHEET 1 OF 1 REV A	

单击下面可查看定价，库存，交付和生命周期等信息

[>>TE Connectivity\(泰科\)](#)