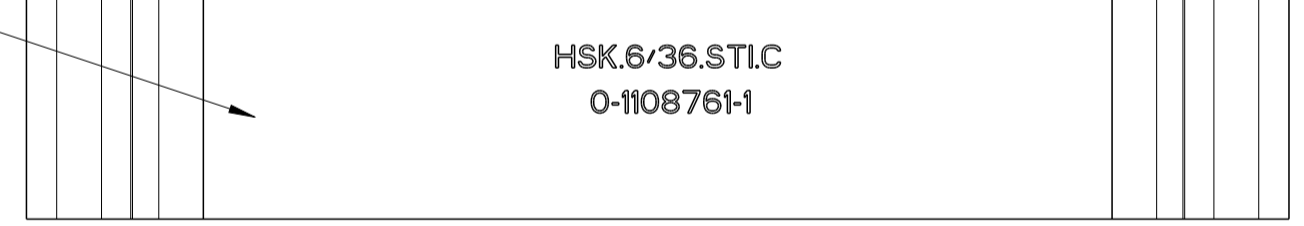
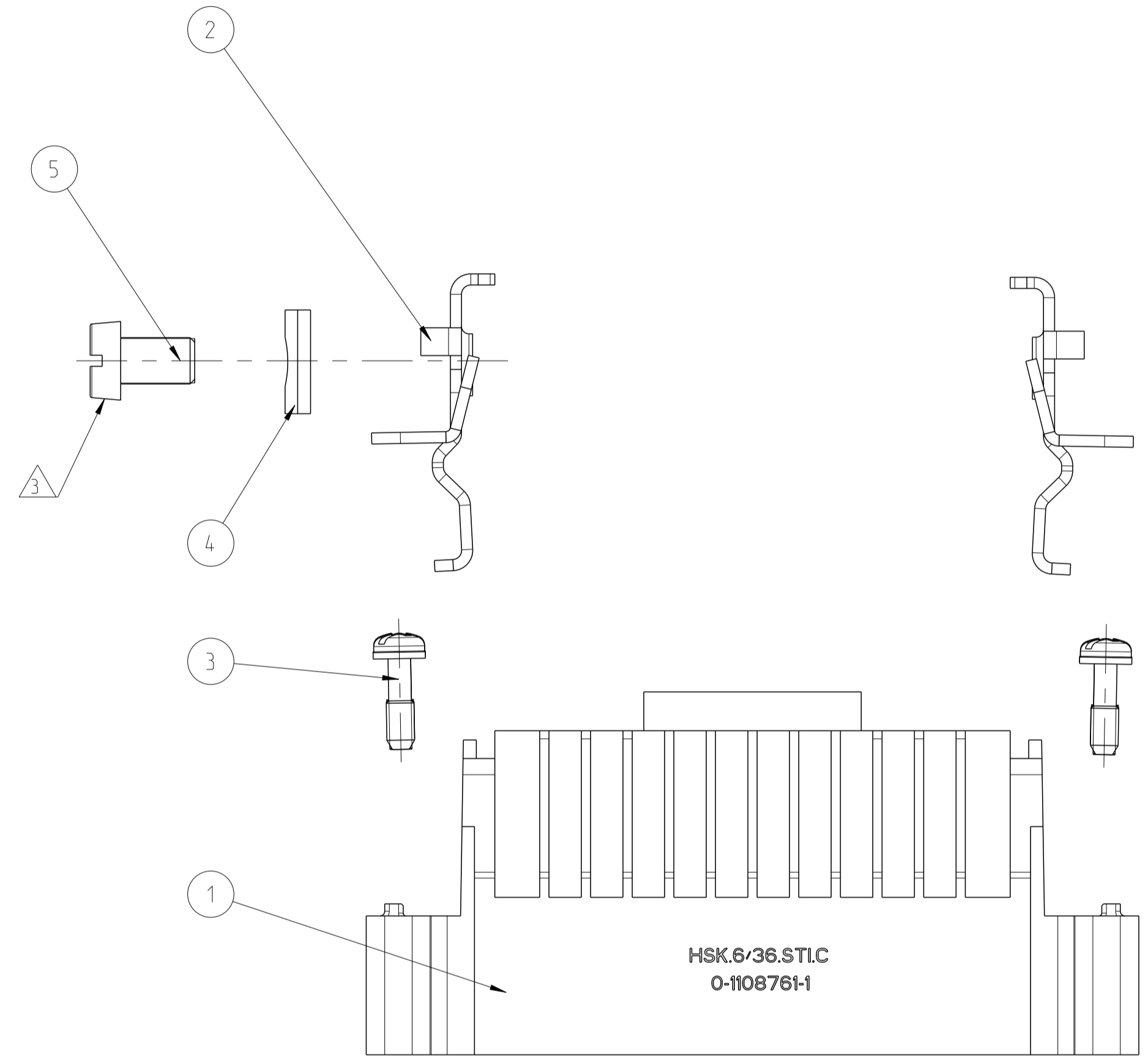
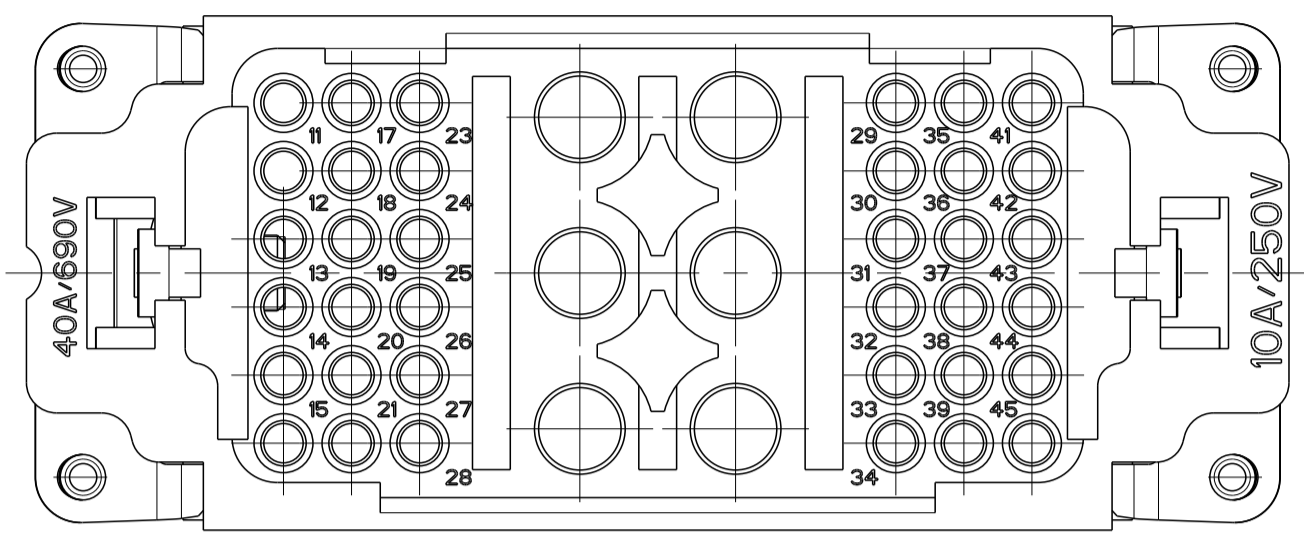
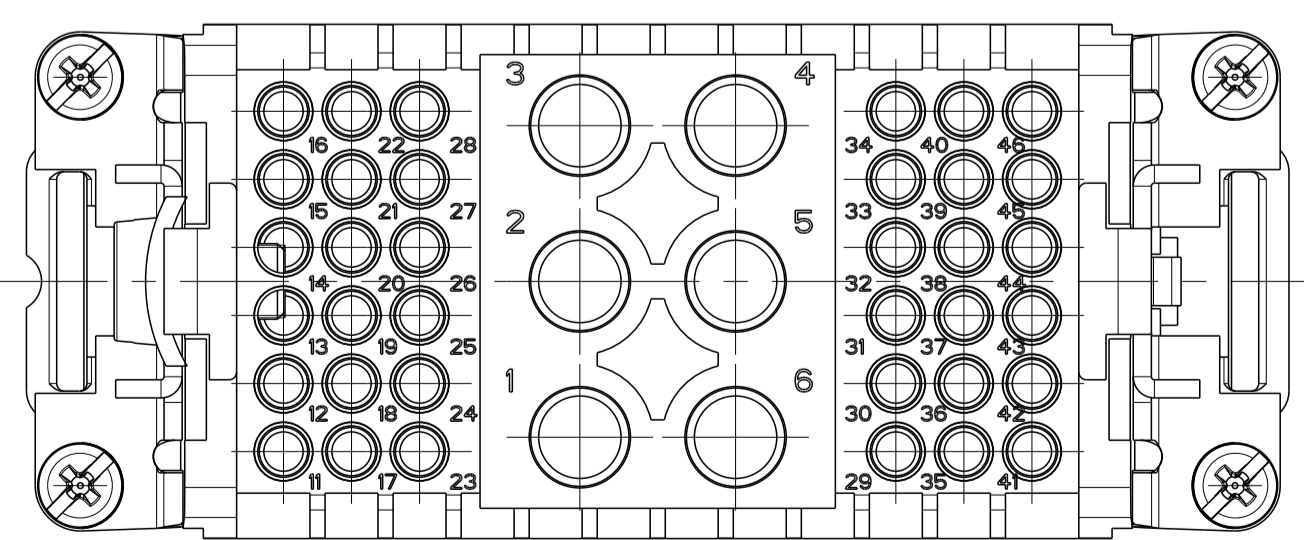


LOC	DIST	REVISIONS					
		P	LTN	DESCRIPTION	DATE	DWN	APVD
		B1		ECR-09-026756	09FEB2010	SR	ME
		B2		ECR-17-014051	04APR2018	SG	MKO

PANEL CUT-OUT FOR CONTACT INSERT
 WHEN USED WITHOUT HOUSING

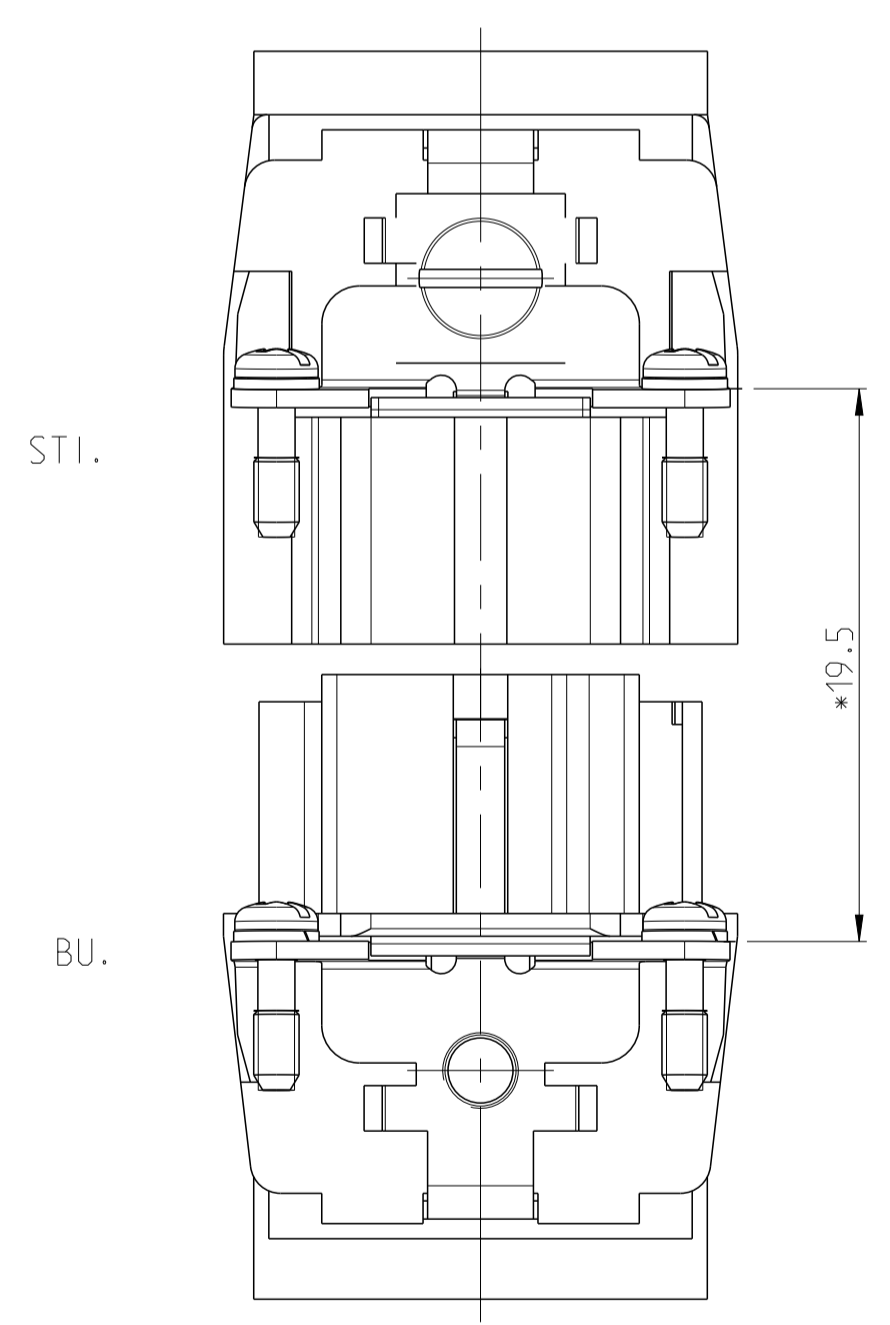


CONTACT ARRANGEMENT VIEW FROM
 TERMINATION SIDE



NOTES

- POVER CONTACT : 1 TO 12
 OUTER DIMENSIONS OF INSULATION: MAX. Ø6.5mm
 SIGNAL CONTACT: A AND B
 OUTER DIMENSIONS OF INSULATION: MAX. Ø3.2mm
- SUITABLE HOOD SIZE 6
 SERIES HB, HD, EMV, AND HIP
- ⚠ GROUNDING CONTACT
- STANDARDS:
 DIN EN 61984; DIN EN 60664-1
- PACKAGING:
 5 PIECES IN A CARTON BOX



*DISTANCE ARRANGEMENT
 VIEW FROM TERMINATION SIDE

SUPERSEDED BY T2120422101-000

QTY	DESCRIPTION	MATERIAL	SURFACE	ITEM
1	CYLINDER SCREW, M5	STEEL	NICKEL PLATED	5
1	CLIP TAB	STEEL	NICKEL PLATED	4
4	FIXING SCREW ASSY	STEEL	NICKEL PLATED	3
2	GROUNDING CONTACT-SOCKET	Cu Zn37 F38	NICKEL PLATED	2
1	SOCKET INSERT	VALOX		1
0-1	HSK.6/36.Sti.C			

THIS DRAWING IS A CONTROLLED DOCUMENT. DWN: R.SCHNEIDER 09FEB2010
 CHK: T.SCHNURPFELT 09FEB2010

TE TE Connectivity

MALE INSERT
 MALE INSERT HSK6/36

SIZE: A1 CAGE CODE: 00779 DRAWING NO: C=1108761 RESTRICTED TO: 1

MATERIAL: - DIMENSIONS: mm TOLERANCES UNLESS OTHERWISE SPECIFIED: 0 PLC # # # # # 1 PLC # # # # # 2 PLC # # # # # 3 PLC # # # # # 4 PLC # # # # # ANGLES # # # # # FINISH # # # # # WEIGHT: - CUSTOMER DRAWING SCALE: 5:1 SHEET: 1 OF 1 REV: B2

单击下面可查看定价，库存，交付和生命周期等信息

[>>TE Connectivity\(泰科\)](#)