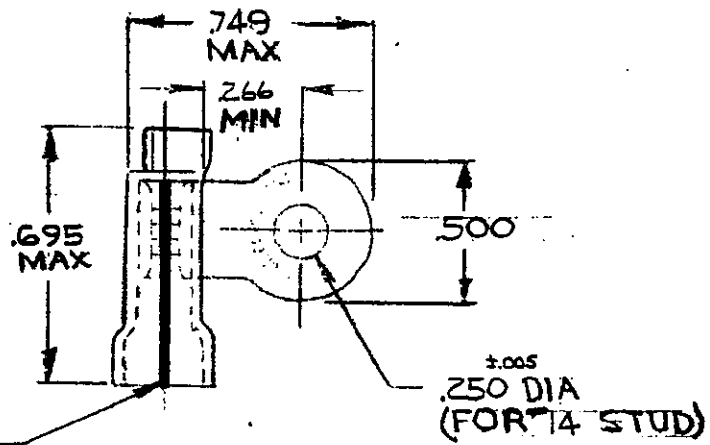


DESIGNED BY AMP INCORPORATED. ALL RIGHTS RESERVED. AMP PRODUCTS COVERED BY PATENTS AND/OR PATENTS PENDING.

REVISIONS			
LTR	DESCRIPTION	DATE	APPROVED
A	REDRAWN & REVISED	R5836 '6 7-7-68	FWW
B	REV/0L20-0185-97	11-13-97	ME/SB

322307



STRIPE COLOR GREEN

TONGUE MATERIAL THICKNESS = .040 FOR .115 TO .170 WIRE INSULATION DIA

1	WIRE TERMINAL	322307	SLEEVE: PVC COLOR: NATURAL BODY: COPPER (QQ-C-576) TIN PL (MIL-T-10727)
---	---------------	--------	---

UNLESS OTHERWISE SPECIFIED DIMENSIONS ARE IN INCHES TOLERANCES ON: DECIMALS .008 ANGLES ±.5°

CONTRACT NO.	— 4 —
DR.	7-23-68
CHK.	7-7-68
APPD.	8-30-68
REL.	



AMP INCORPORATED HARRISBURG, PENNSYLVANIA

NAME WIRE TERMINAL PLASTI-GRIP RING TONGUE FLAG WIRE SIZE: 20-16 HD

MATERIAL SEE TABLE

DSGN APPD	
OTHER APPD	

SIZE	CODE IDENT NO.	NUMBER
A	00779	322307

单击下面可查看定价，库存，交付和生命周期等信息

[>>TE Connectivity\(泰科\)](#)