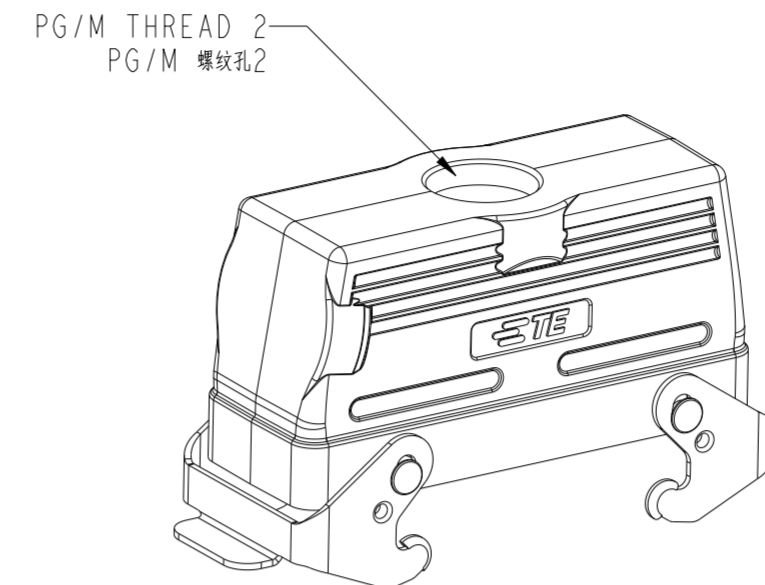
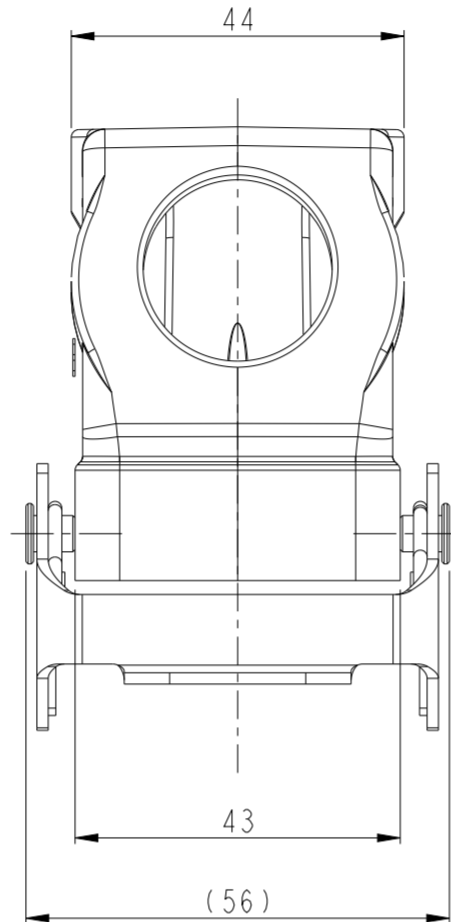
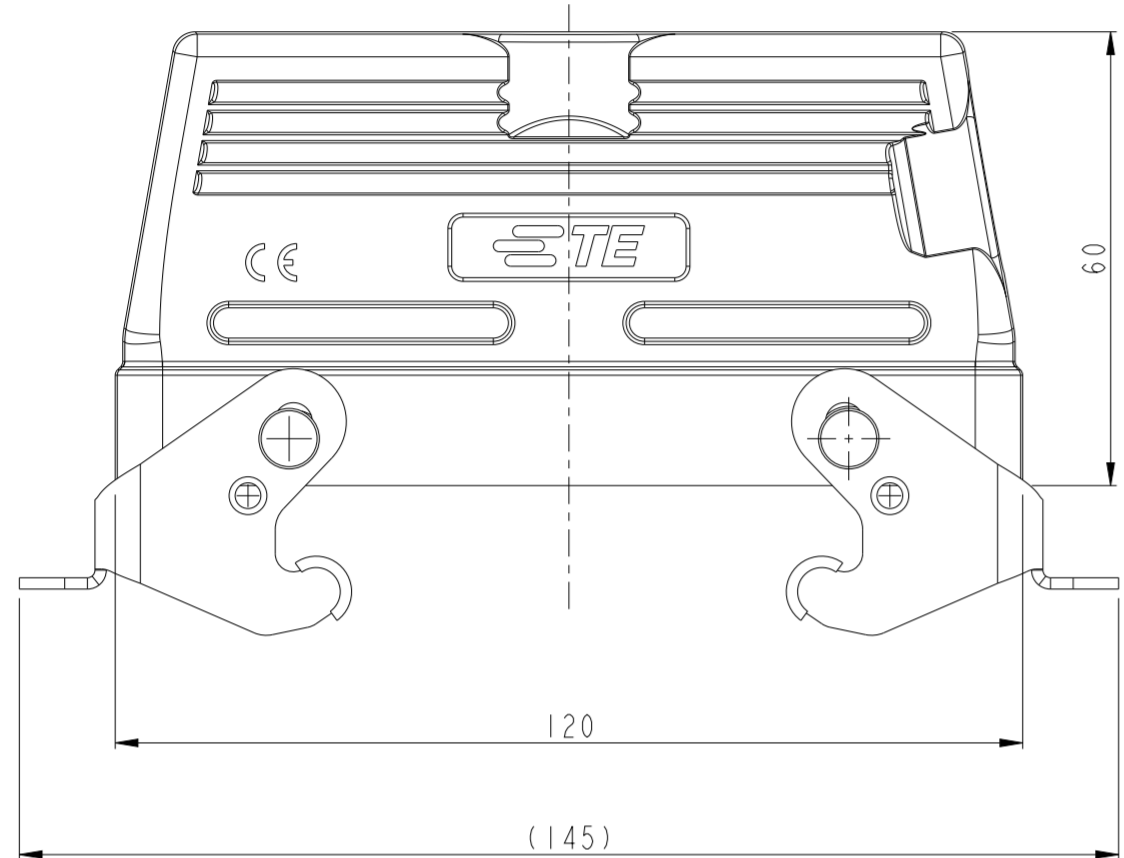


THIS DRAWING IS UNPUBLISHED. RELEASED FOR PUBLICATION 20
 © COPYRIGHT 20 BY - ALL RIGHTS RESERVED.

REVISIONS				
P	LTR	DESCRIPTION	DATE	APVD
A		INITIAL	29MAY2015	DW CW
AI		ECR-17-008664	17JUN2017	CH CW
B		ECR-20-014876	06NOV2020	WOR CW

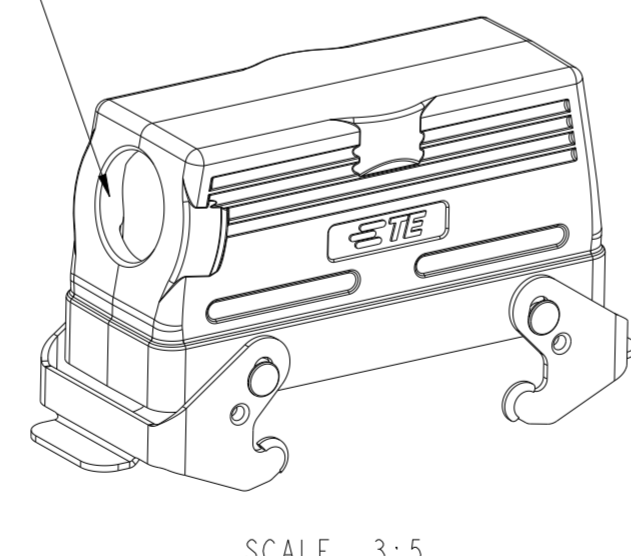
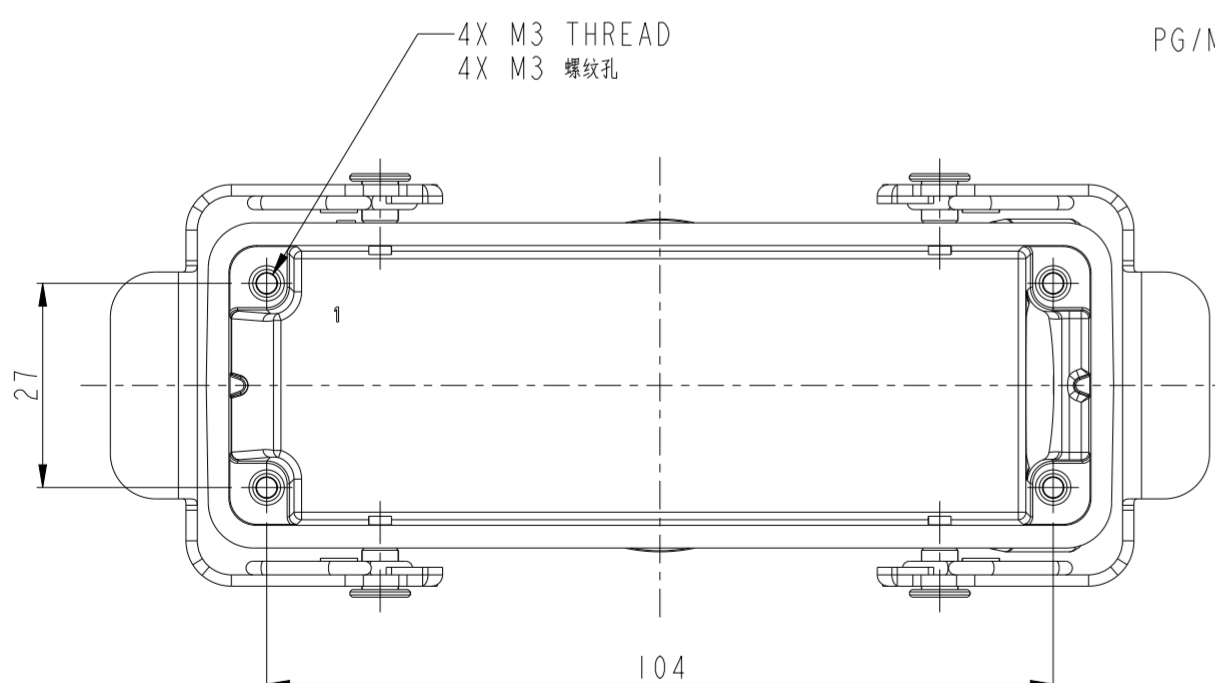


SCALE 3:5

TYPE 2: LOW CONSTRUCTION, TOP ENTRY WITH STEEL DOUBLE LOCKING
 OTHER SPEC REFER TO TYPE 1
 类型2: 低结构, 顶出, 带彩锌双扣, 其它规格参照类型1

NOTES:
 1. TECHNICAL CHARACTERISTICS:
 HOOD MATERIAL: DIE CAST ALUMINIUM ALLOY
 SURFACE: POWDER COATED, GREY
 DEGREE OF PROTECTION: IP65 (MATED)

注释:
 1. 技术参数:
 上壳材料: 铝合金
 表面处理: 灰色粉末喷涂
 防护等级: IP65(配合)



TYPE 1: LOW CONSTRUCTION, SIDE ENTRY WITH STEEL DOUBLE LOCKING
 类型1: 低结构, 侧出, 带彩锌双扣

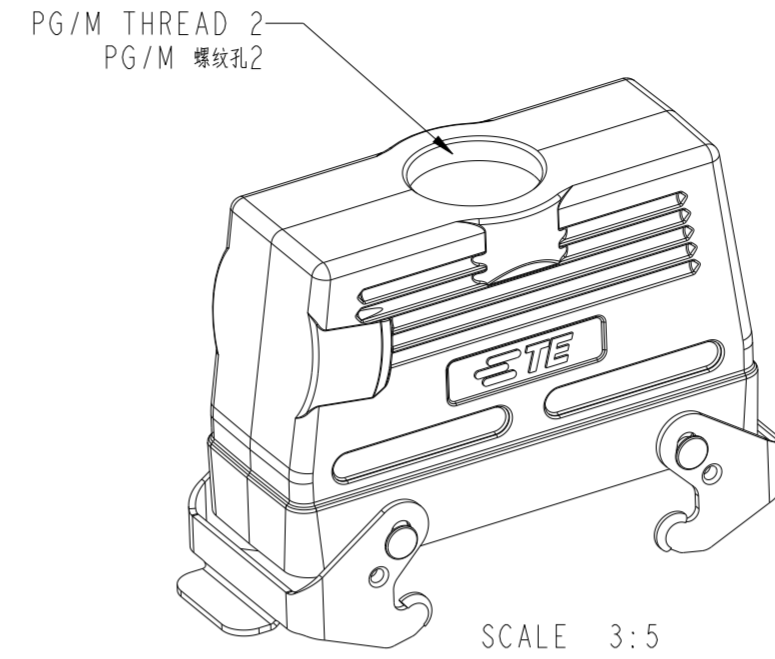
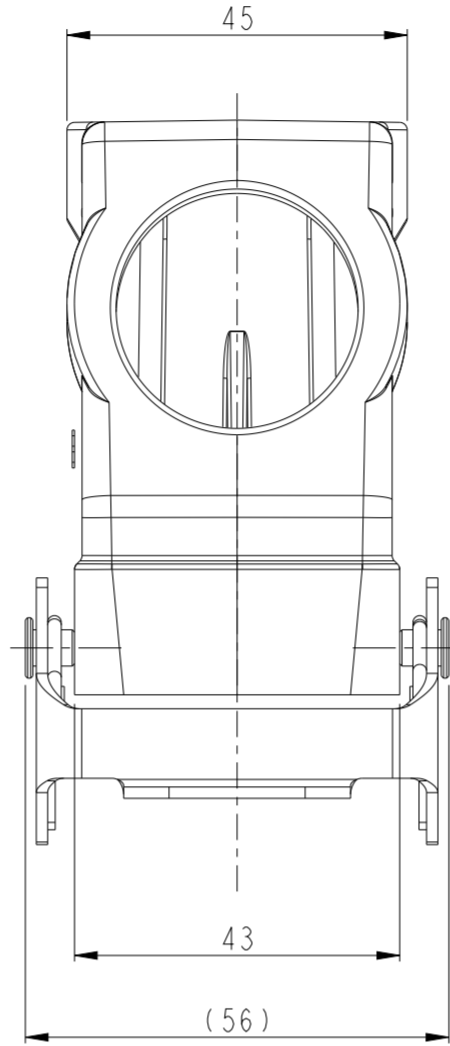
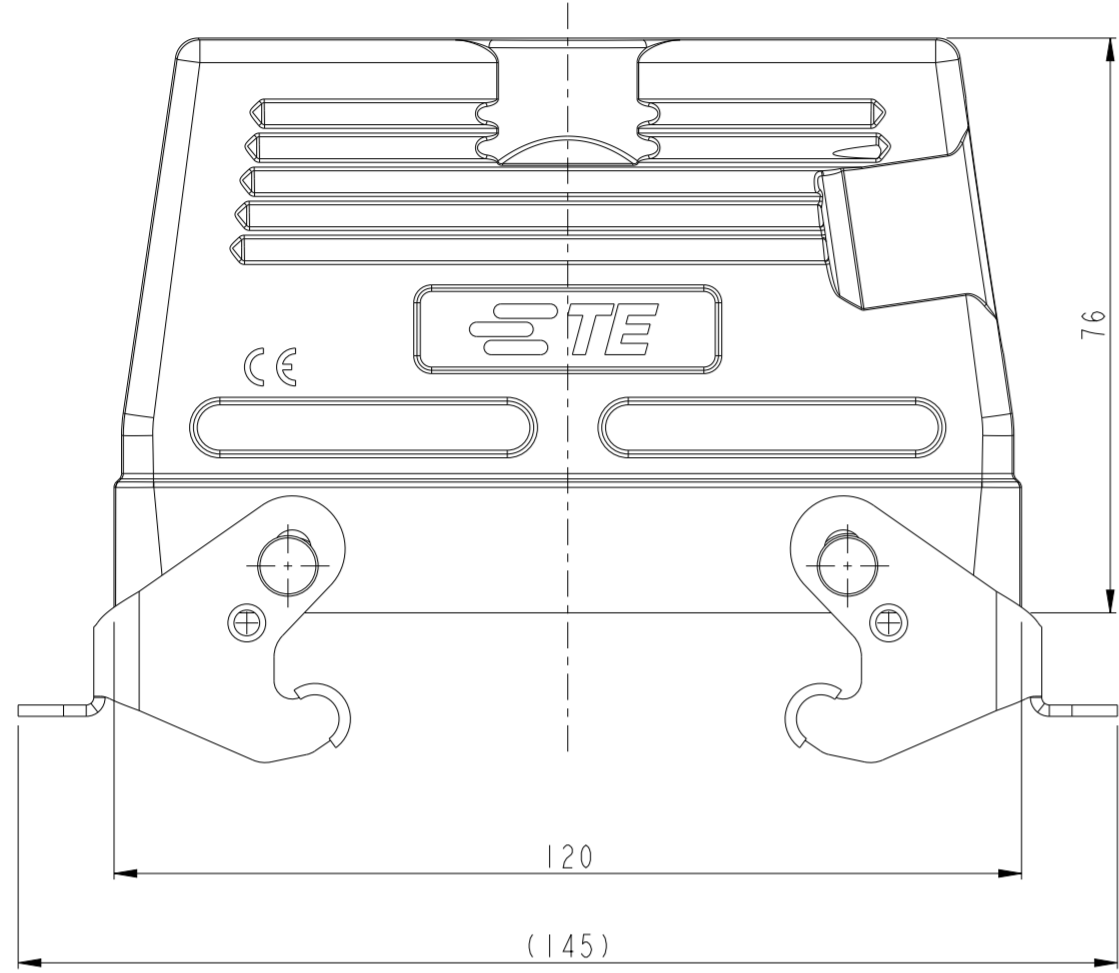
PART NUMBER 料号	PART DESCRIPTION 描述	PG/M THREAD 1 PG/M 螺纹孔1	PG/M THREAD 2 PG/M 螺纹孔2	TYPE 类型
T1260242132-000	H24B-TGB-M32 H24B HOOD, TOP ENTRY M32, METAL DOUBLE LOCKING, POWDER COATED, GREY H24B上壳, 顶出M32, 彩锌双扣, 灰色粉末喷涂	-	M32	TYPE 2 类型2
T1260242129-000	H24B-TGB-PG29 H24B HOOD, TOP ENTRY PG29, METAL DOUBLE LOCKING, POWDER COATED, GREY H24B上壳, 顶出PG29, 彩锌双扣, 灰色粉末喷涂	-	PG29	
T1260242125-000	H24B-TGB-M25 H24B HOOD, TOP ENTRY M25, METAL DOUBLE LOCKING, POWDER COATED, GREY H24B上壳, 顶出M25, 彩锌双扣, 灰色粉末喷涂	-	M25	
T1260242121-000	H24B-TGB-PG21 H24B HOOD, TOP ENTRY PG21, METAL DOUBLE LOCKING, POWDER COATED, GREY H24B上壳, 顶出PG21, 彩锌双扣, 灰色粉末喷涂	-	PG21	
T1260240000-000	H24B-TGB H24B HOOD, NO ENTRY, METAL DOUBLE LOCKING, POWDER COATED, GREY H24B上壳, 无开孔, 彩锌双扣, 灰色粉末喷涂	-	-	
T1250242132-000	H24B-TSB-M32 H24B HOOD, SIDE ENTRY M32, METAL DOUBLE LOCKING, POWDER COATED, GREY H24B上壳, 侧出M32, 彩锌双扣, 灰色粉末喷涂	M32	-	TYPE 1 类型1
T1250242125-000	H24B-TSB-M25 H24B HOOD, SIDE ENTRY M25, METAL DOUBLE LOCKING, POWDER COATED, GREY H24B上壳, 侧出M25, 彩锌双扣, 灰色粉末喷涂	M25	-	
T1250242121-000	H24B-TSB-PG21 H24B HOOD, SIDE ENTRY PG21, METAL DOUBLE LOCKING, POWDER COATED, GREY H24B上壳, 侧出PG21, 彩锌双扣, 灰色粉末喷涂	PG21	-	

THIS DRAWING IS A CONTROLLED DOCUMENT.

DWN DAVID.WANG 29MAY2015	TE Connectivity NAME H24B-TSB/TGB/TSBH/TGBH-M/PG PRODUCT SPEC 108-137013 APPLICATION SPEC 114-137013 WEIGHT - Customer Drawing	SIZE A2	CAGE CODE 00779	DRAWING NO. C-T12X024XXXX000	RESTRICTED TO -
CHK CHRIS.WANG 29MAY2015		SCALE 1:1	SHEET 1	OF 2	REV B
APVD XIANG.XU 29MAY2015					
MATERIAL -					

THIS DRAWING IS UNPUBLISHED. RELEASED FOR PUBLICATION 20
 © COPYRIGHT 20 BY - ALL RIGHTS RESERVED.

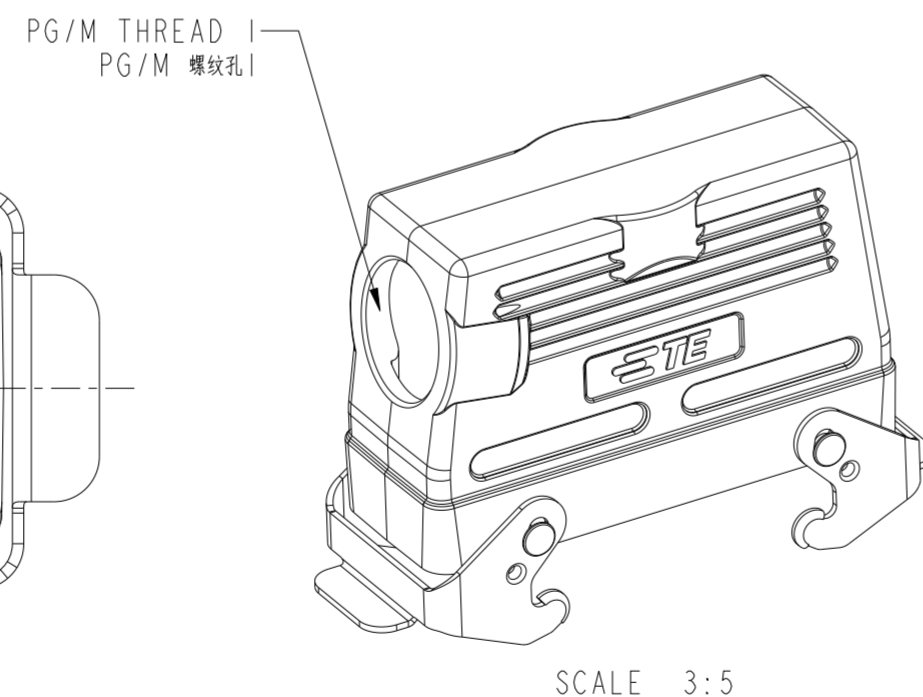
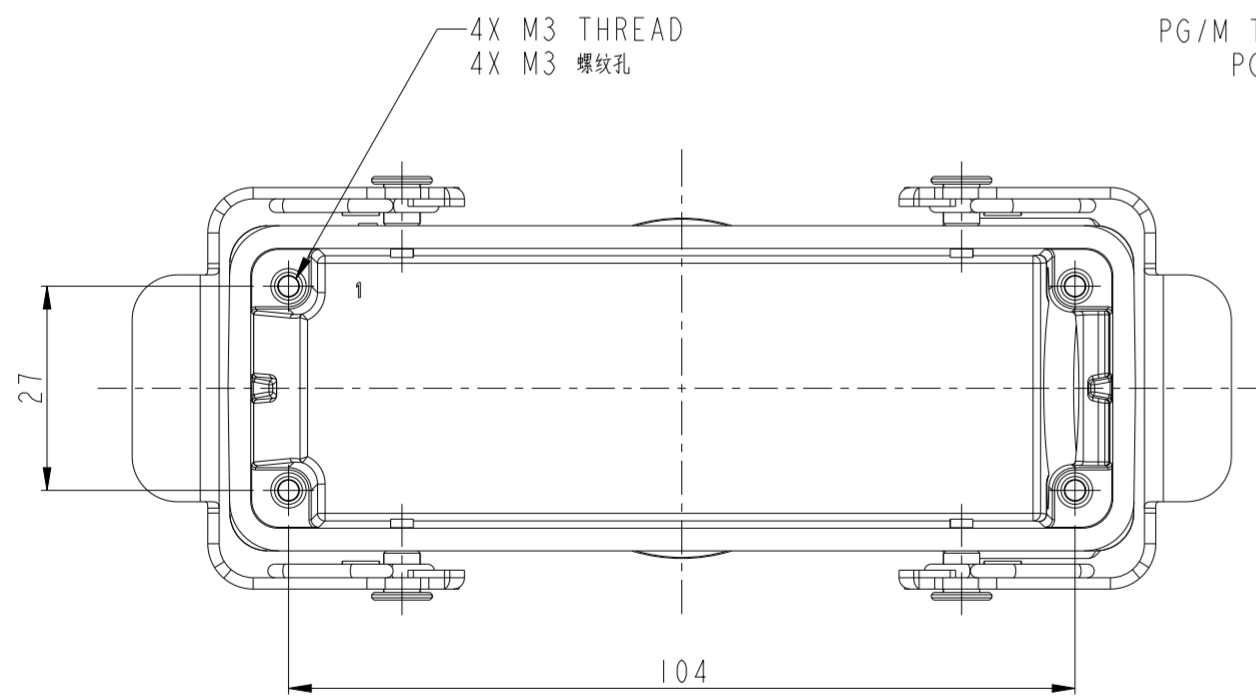
REVISIONS				
P	LTR	DESCRIPTION	DATE	APVD
-	-	SEE SHEET 1	-	-



NOTES:
SEE SHEET 1

TYPE 4: HIGH CONSTRUCTION, TOP ENTRY WITH STEEL DOUBLE LOCKING
 OTHER SPEC REFER TO TYPE 3
 类型4: 高结构, 顶出, 带彩锌双扣, 其它规格参照类型3

PART NUMBER	PART DESCRIPTION	PG/M THREAD 1	PG/M THREAD 2	TYPE
料号	描述	PG/M 螺纹孔1	PG/M 螺纹孔2	类型
T1280242140-000	H10B-TGBH-M40 H24B HOOD, TOP ENTRY M40, METAL DOUBLE LOCKING, HIGH CONSTRUCTION, POWDER COATED, GREY H24B上壳, 顶出M40, 彩锌双扣, 高结构, 灰色粉末喷涂	-	M40	TYPE 4 类型4
T1280242132-000	H24B-TGBH-M32 H24B HOOD, TOP ENTRY M32, METAL DOUBLE LOCKING, HIGH CONSTRUCTION, POWDER COATED, GREY H24B上壳, 顶出M32, 彩锌双扣, 高结构, 灰色粉末喷涂	-	M32	
T1280242129-000	H24B-TGBH-PG29 H24B HOOD, TOP ENTRY PG29, METAL DOUBLE LOCKING, HIGH CONSTRUCTION, POWDER COATED, GREY H24B上壳, 顶出PG29, 彩锌双扣, 高结构, 灰色粉末喷涂	-	PG29	
T1280242125-000	H24B-TGBH-M25 H24B HOOD, TOP ENTRY M25, METAL DOUBLE LOCKING, HIGH CONSTRUCTION, POWDER COATED, GREY H24B上壳, 顶出M25, 彩锌双扣, 高结构, 灰色粉末喷涂	-	M25	
T1280242121-000	H24B-TGBH-PG21 H24B HOOD, TOP ENTRY PG21, METAL DOUBLE LOCKING, HIGH CONSTRUCTION, POWDER COATED, GREY H24B上壳, 顶出PG21, 彩锌双扣, 高结构, 灰色粉末喷涂	-	PG21	TYPE 3 类型3
T1270242140-000	H24B-TSBH-M40 H24B HOOD, SIDE ENTRY M40, METAL DOUBLE LOCKING, HIGH CONSTRUCTION, POWDER COATED, GREY H24B上壳, 侧出M40, 彩锌双扣, 高结构, 灰色粉末喷涂	M40	-	
T1270242132-000	H24B-TSBH-M32 H24B HOOD, SIDE ENTRY M32, METAL DOUBLE LOCKING, HIGH CONSTRUCTION, POWDER COATED, GREY H24B上壳, 侧出M32, 彩锌双扣, 高结构, 灰色粉末喷涂	M32	-	
T1270242129-000	H24B-TSBH-PG29 H24B HOOD, SIDE ENTRY PG29, METAL DOUBLE LOCKING, HIGH CONSTRUCTION, POWDER COATED, GREY H24B上壳, 侧出PG29, 彩锌双扣, 高结构, 灰色粉末喷涂	PG29	-	
T1270242121-000	H24B-TSBH-PG21 H24B HOOD, SIDE ENTRY PG21, METAL DOUBLE LOCKING, HIGH CONSTRUCTION, POWDER COATED, GREY H24B上壳, 侧出PG21, 彩锌双扣, 高结构, 灰色粉末喷涂	PG21	-	



TYPE 3: HIGH CONSTRUCTION, SIDE ENTRY WITH STEEL DOUBLE LOCKING
 类型3: 高结构, 侧出, 带彩锌双扣

THIS DRAWING IS A CONTROLLED DOCUMENT. DWN DAVID.WANG 29MAY2015
 CHK CHRIS.WANG 29MAY2015
 APVD XIANG.XU 29MAY2015

STE TE Connectivity

NAME: H24B-TSB/TGB/TSBH/TGBH-M/PG

PRODUCT SPEC: 108-137013
 APPLICATION SPEC: 114-137013

SIZE: A2 CAGE CODE: 00779 DRAWING NO: C-T12X024XXXX000 RESTRICTED TO: -
 WEIGHT: - SCALE: 1:1 SHEET: 2 OF 2 REV: B

Customer Drawing

单击下面可查看定价，库存，交付和生命周期等信息

[>>TE Connectivity\(泰科\)](#)