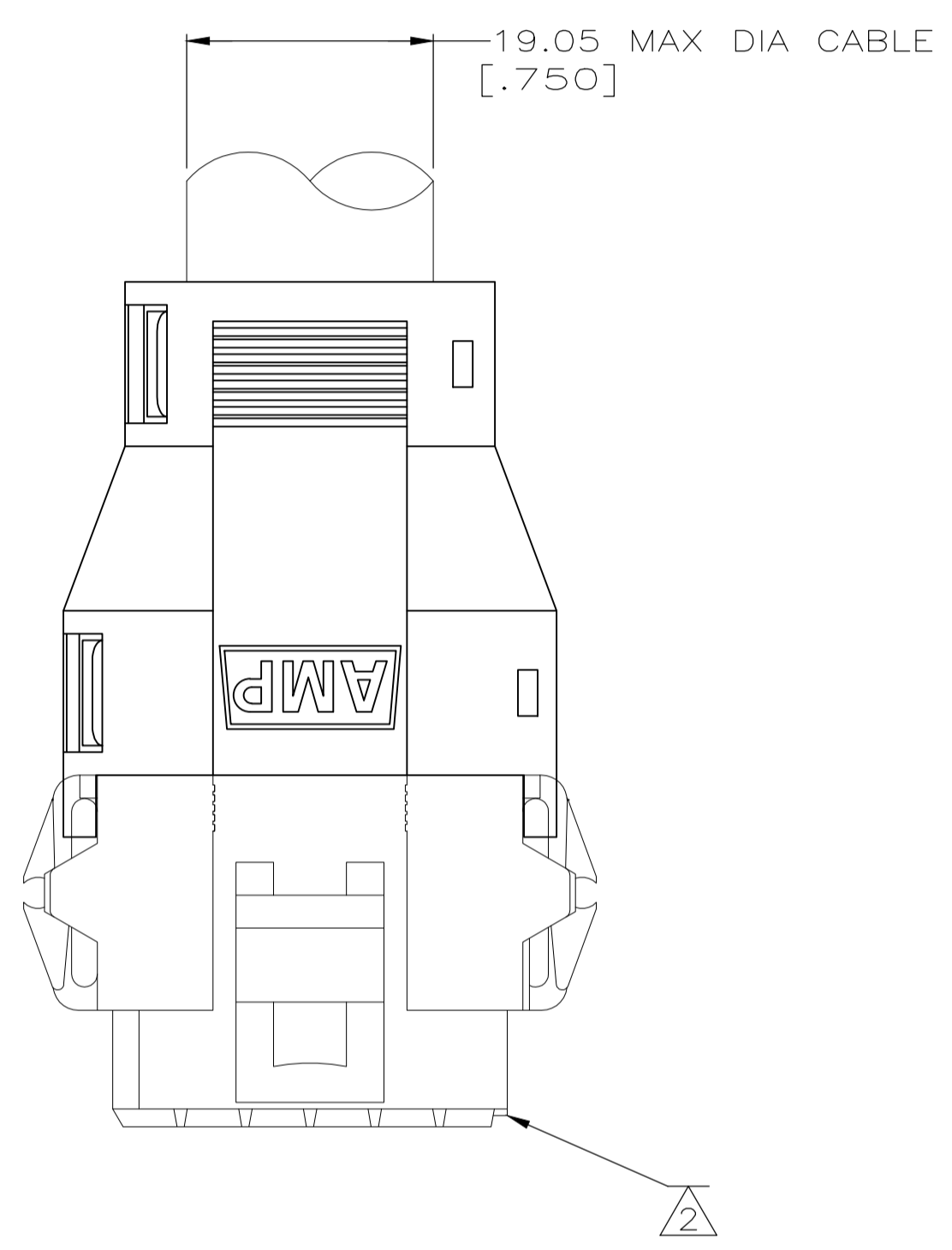
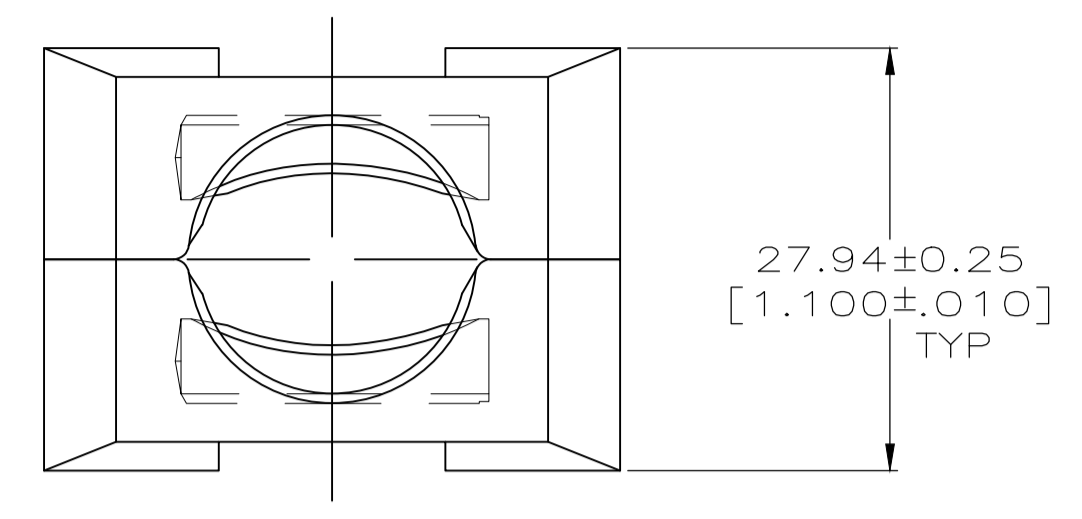
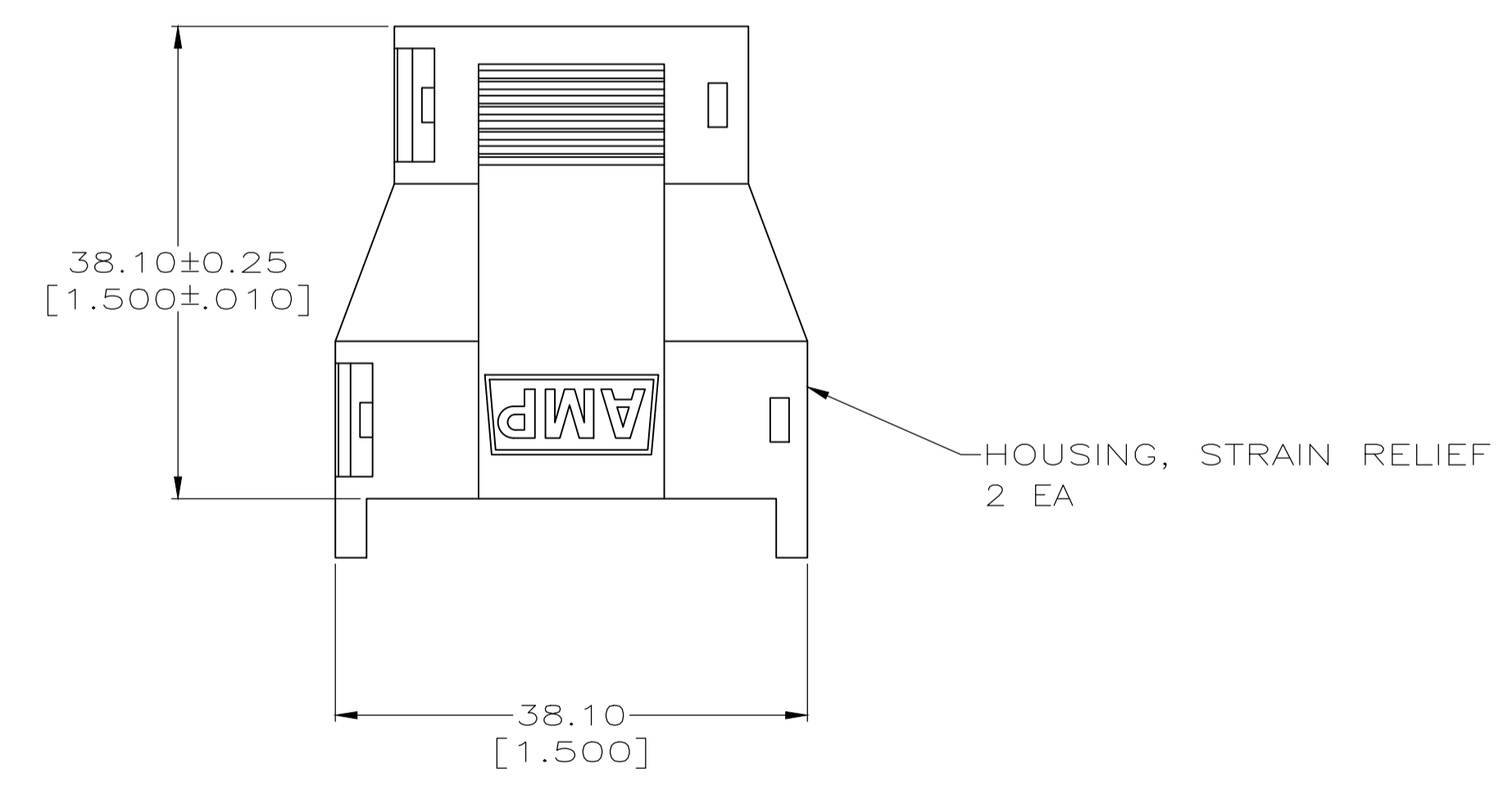
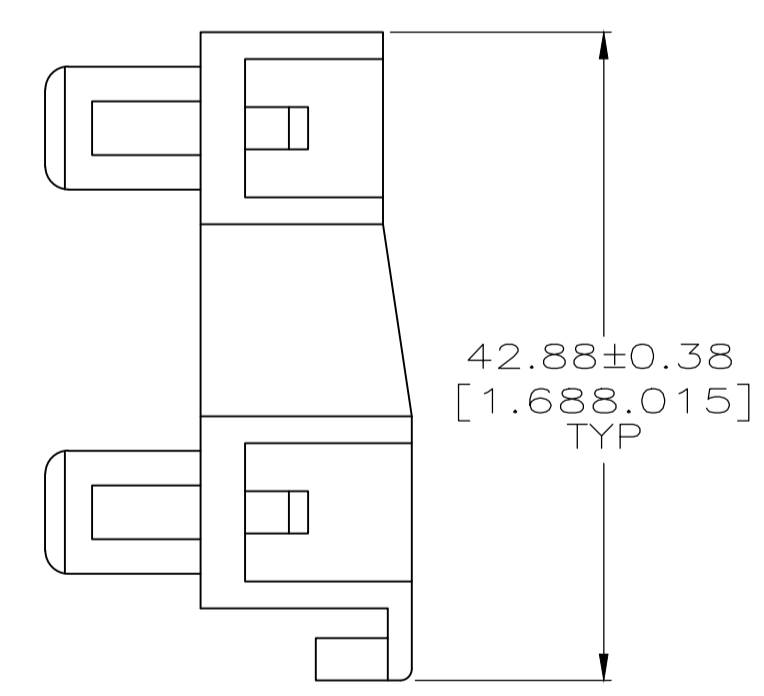
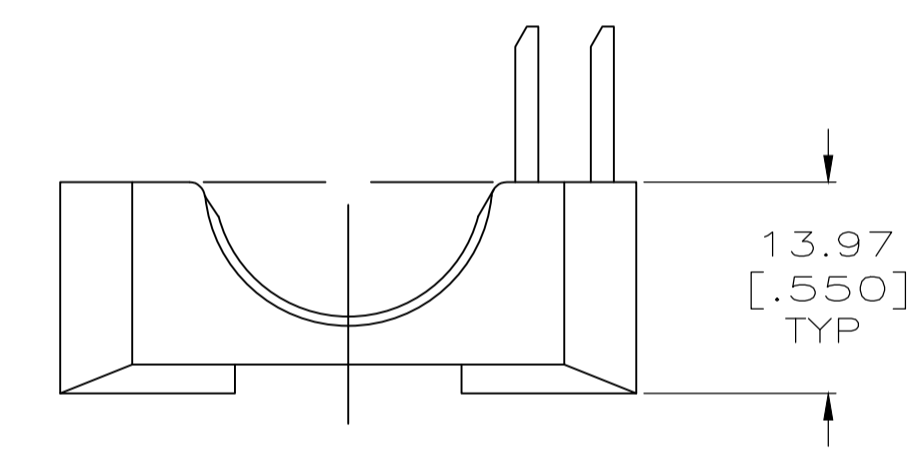
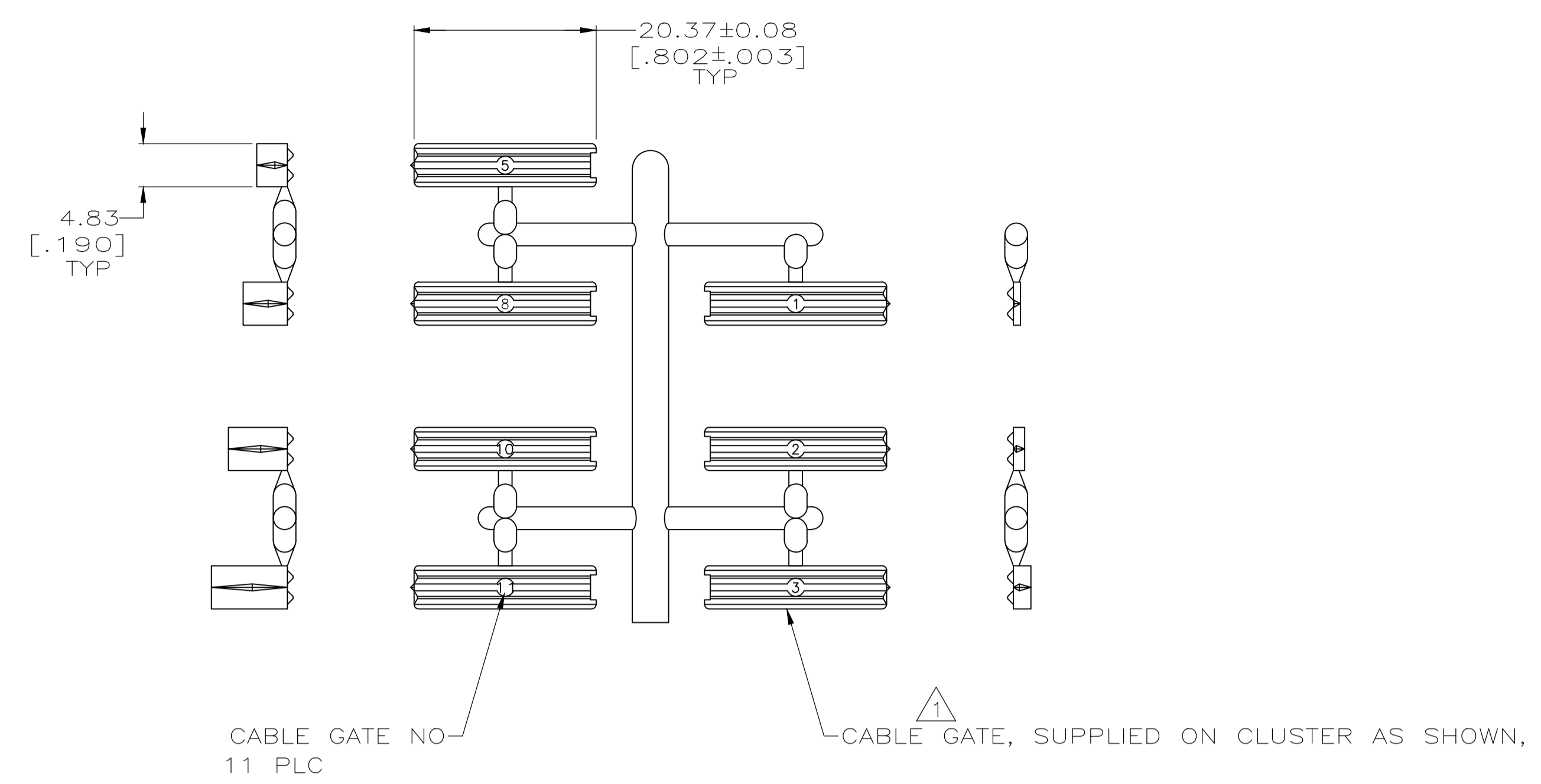


REVISIONS				
P	LTR	DESCRIPTION	DATE	APPV
F		REVISED PER ECO-20-002047	20FEB2020	RK MZ



ASSEMBLED VIEW



- ▲ A VARIETY OF CABLE GATES ARE PROVIDED TO ACCOMMODATE A VARIETY OF CUSTOMER CABLE SIZES.
- ▲ PLUG SHOWN FOR REFERENCE ONLY. STRAIN RELIEF CAN BE USED ON EITHER PLUG OR RECEPTACLE.
- ▲ HOUSING MATERIAL: PA66, BLACK, UL 94 V-0 RATED.

207088-1
PART NUMBER

THIS DRAWING IS A CONTROLLED DOCUMENT.		DIN J. McCLINTON 1-24-92	TE Connectivity	
DIMENSIONS: INCHES		CHK R. STONE 1-29-92	APVD	
TOLERANCES UNLESS OTHERWISE SPECIFIED:		NAME		
0 PLC	± .005	PRODUCT SPEC		
1 PLC	± .005	108-10033		
2 PLC	± .010	APPLICATION SPEC		
3 PLC	± 0.13[.005]	SIZE		
4 PLC	± .005	CAGE CODE		
ANGLES	± .005	DRAWING NO		
MATERIAL	FINISH	WEIGHT		
▲	-	A1 00779 C=207088		
CUSTOMER DRAWING		SCALE 2:1 SHEET 1 OF 1 REV F		

单击下面可查看定价，库存，交付和生命周期等信息

[>>TE Connectivity\(泰科\)](#)