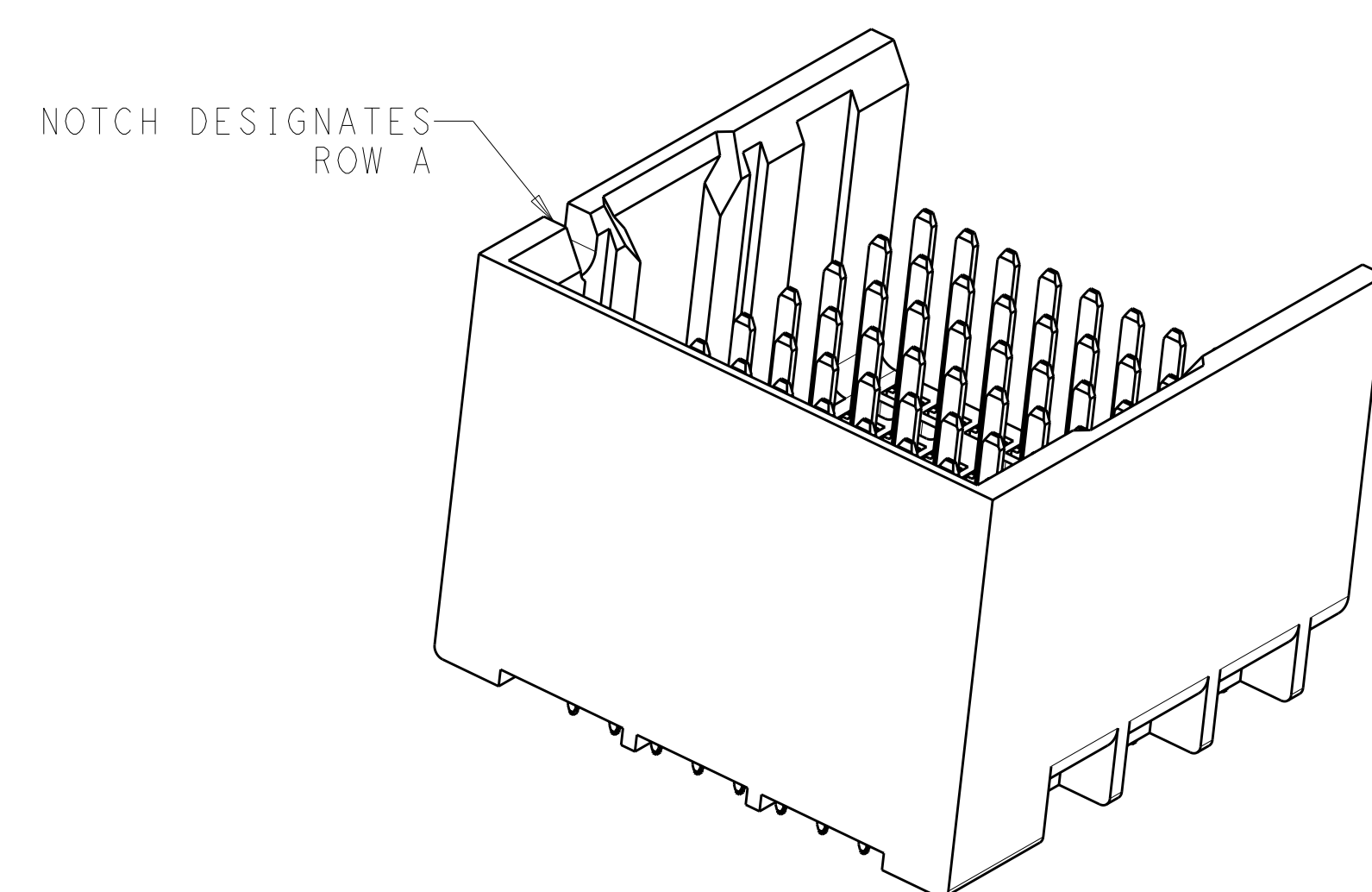
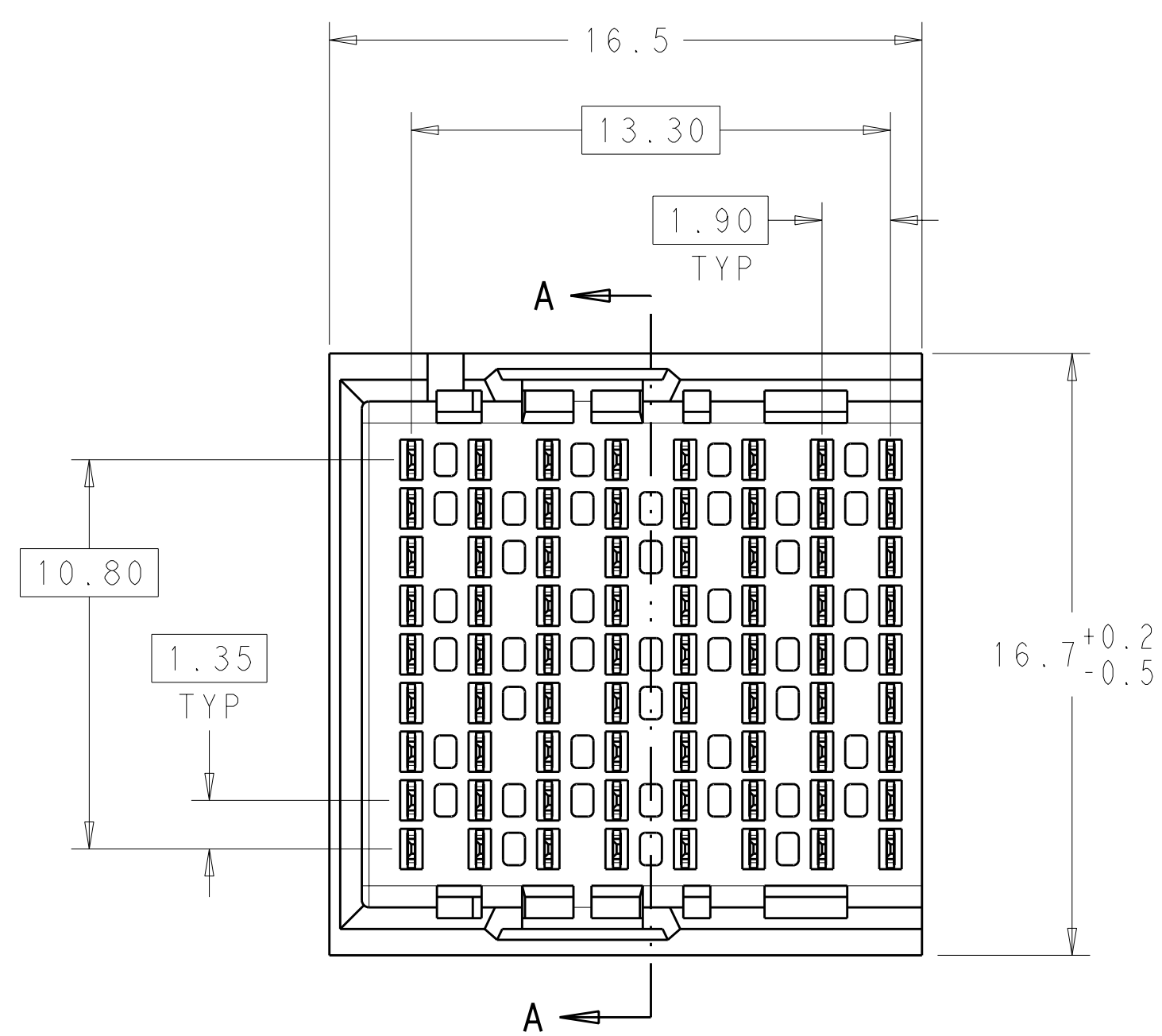
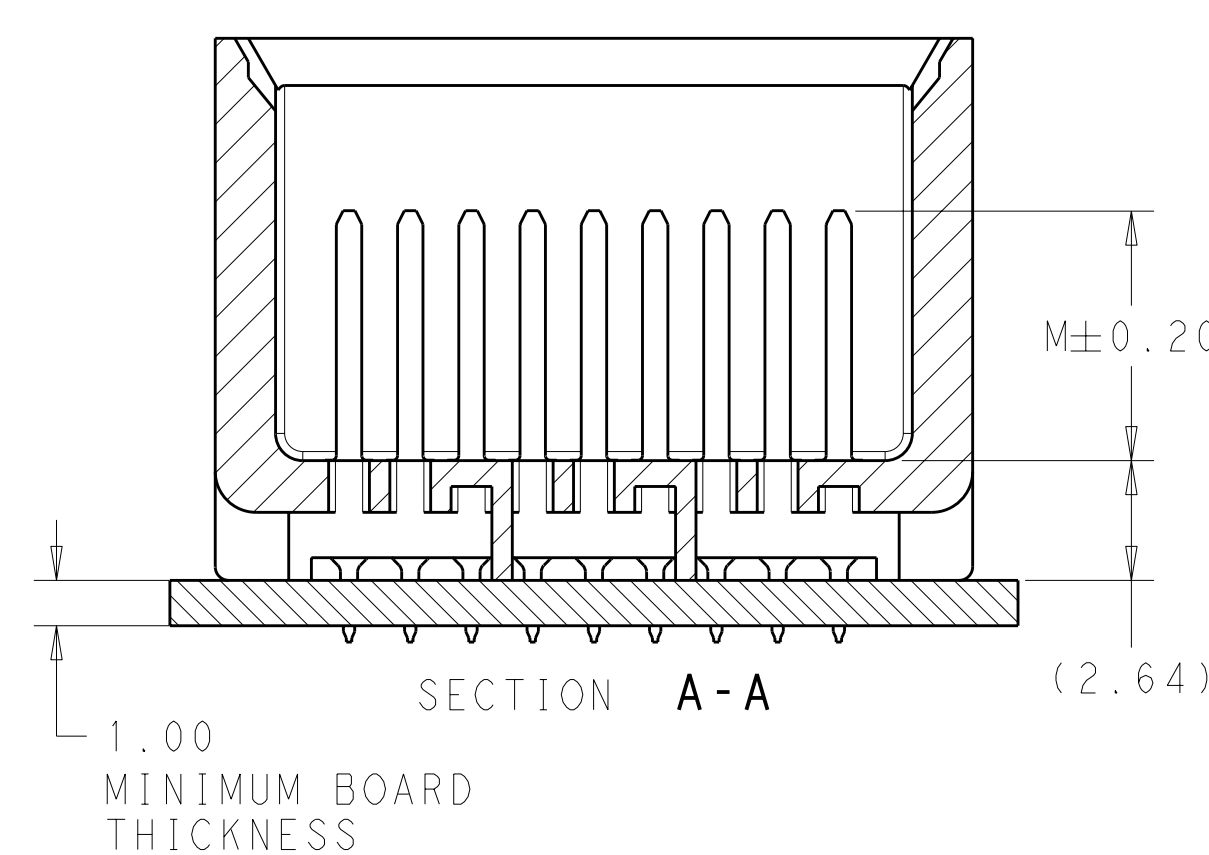
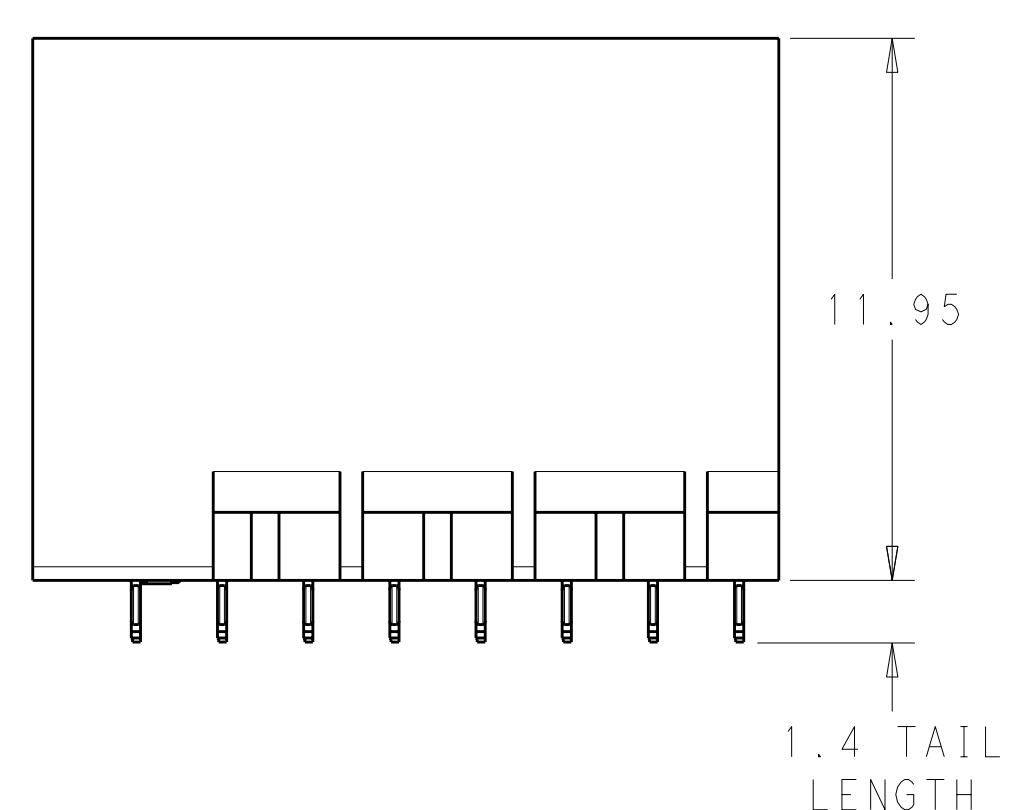
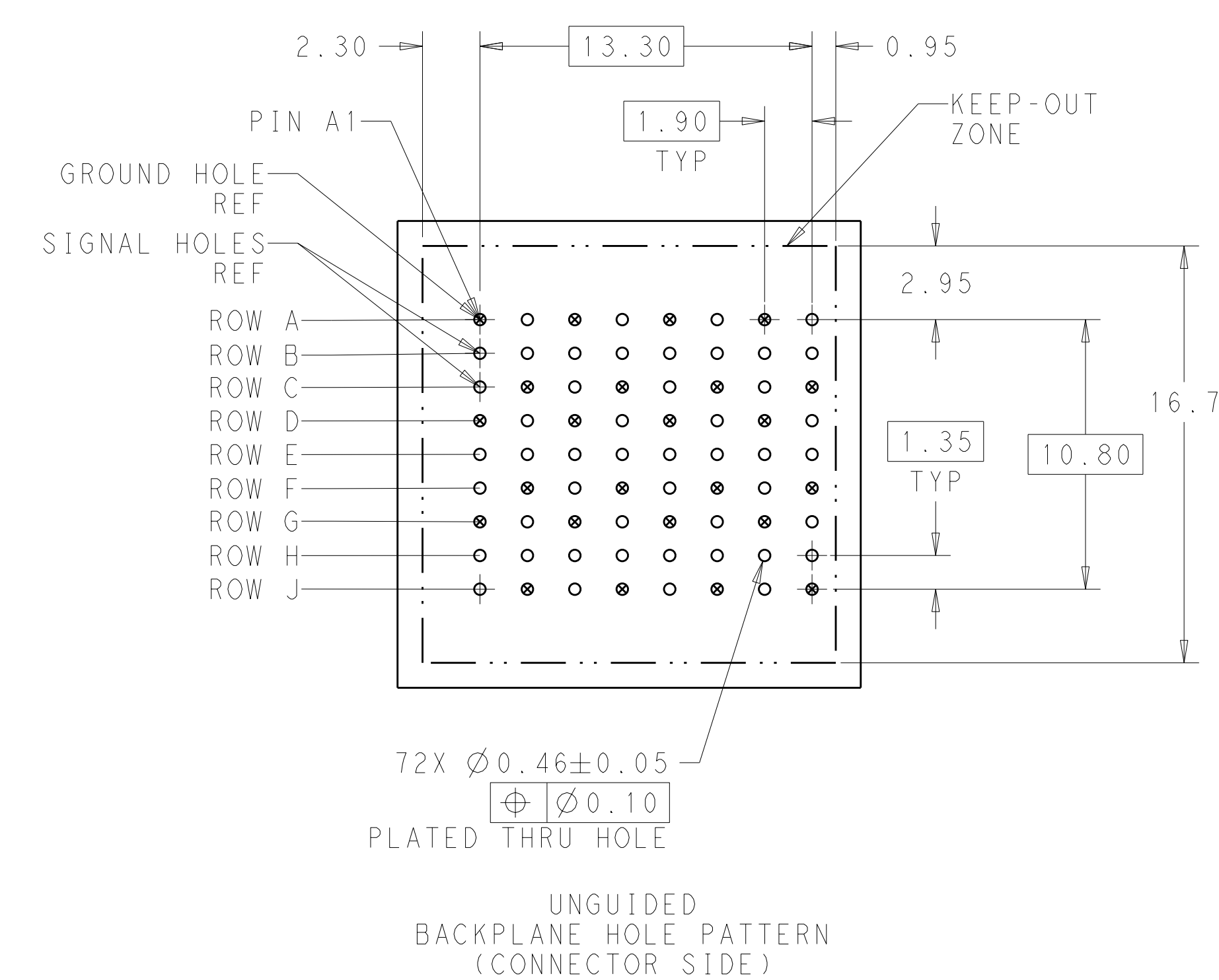


LOC	DIST	REV	DATE	BY	APPD
AD	00	C	05JAN12	KH	DY
REVISIONS			DESCRIPTION	DATE	DWN
			REVISD PER ECO-11-025276		



- 1 MATERIAL:  
HOUSING: LCP, GLASS FILLED, UL94V-0.  
TERMINALS: HIGH PERFORMANCE COPPER ALLOY.
- 2 FINISH:  
30µ" MIN GOLD IN CONTACT AREA. SELECTIVE TIN  
ON PCB TAILS, NICKEL OVERALL.
- 3 FINISH:  
30µ" MIN GOLD IN CONTACT AREA. SELECTIVE TIN-LEAD  
ON PCB TAILS, NICKEL OVERALL.



THIS DRAWING IS A CONTROLLED DOCUMENT.		DWN J. K. SHOBER 11JAN2011	TE Connectivity
DIMENSIONS:		CHK J. EBY 11JAN2011	
mm	TOLERANCES UNLESS OTHERWISE SPECIFIED:	APVD J. EBY 11JAN2011	NAME IMPACT, 3 PAIR, 8 COLUMN, HEADER UNGUIDED, LEFT END WALL SIGNAL MODULE, 0.46 PTH
$\varnothing$ $\varnothing$	0 PLC ± 1 PLC ±0.25 2 PLC ±0.13 3 PLC ± 4 PLC ± ANGLES ± FINISH SEE TABLE	PRODUCT SPEC	SIZE CAGE CODE DRAWING NO A1100779C=2057761
MATERIAL	FINISH	APPLICATION SPEC	RESTRICTED TO
		WEIGHT	CUSTOMER DRAWING
		SCALE 6:1	SHEET 1 OF 2 REV C

THIS DRAWING IS UNPUBLISHED. RELEASED FOR PUBLICATION 20  
 © COPYRIGHT 20 . . . ALL RIGHTS RESERVED.

LOC	DIST	REVISIONS					
		P	LTG	DESCRIPTION	DATE	DWN	APVD
AD	00	-	-	SEE SHEET 1	-	-	-

$\triangle_3$	5.5	2057761-6
$\triangle_3$	4.9	2057761-5
$\triangle_3$	4.5	2057761-4
$\triangle_2$	5.5	2057761-3
$\triangle_2$	4.9	2057761-2
$\triangle_2$	4.5	2057761-1
FINISH	DIM M	PART NUMBER

REFER TO WWW.TE.COM  
FOR PRODUCT AVAILABILITY

THIS DRAWING IS A CONTROLLED DOCUMENT.		DWN J. K. SHOBER 11JAN2011		TE Connectivity
DIMENSIONS: mm		CHK J. EABY 11JAN2011		NAME
TOLERANCES UNLESS OTHERWISE SPECIFIED: 9 PLC ± 7 PLC ±0.25 5 PLC ±0.13 4 PLC ± ANGLES ±		APVD J. EABY 11JAN2011	PRODUCT SPEC	
MATERIAL -		FINISH SEE TABLE	APPLICATION SPEC	
		WEIGHT -	SIZE CAGE CODE DRAWING NO	RESTRICTED TO
		CUSTOMER DRAWING	A100779C=2057761	
		SCALE 5:1	SHEET 2 OF 2	REV C

单击下面可查看定价，库存，交付和生命周期等信息

[>>TE Connectivity\(泰科\)](#)