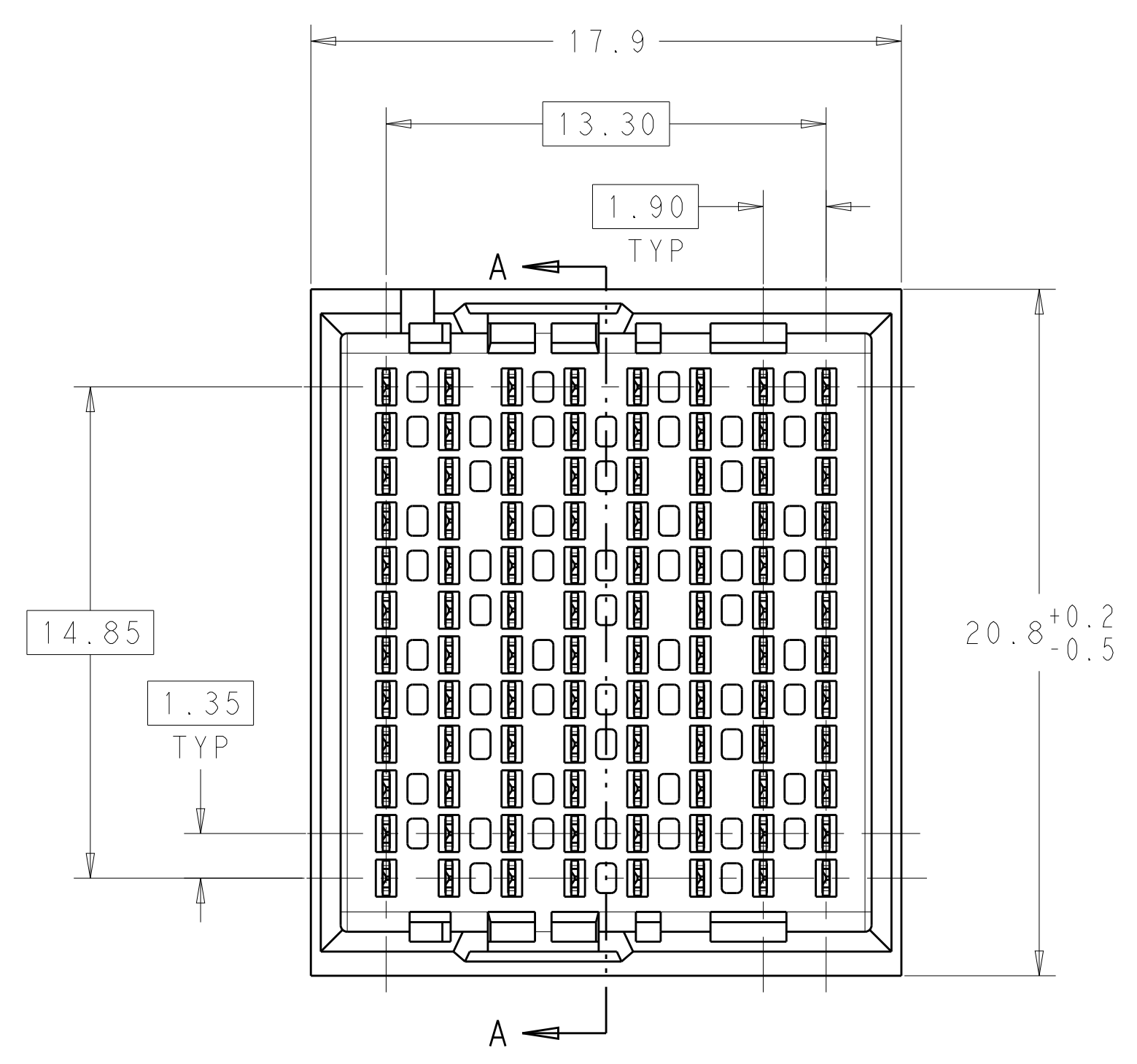
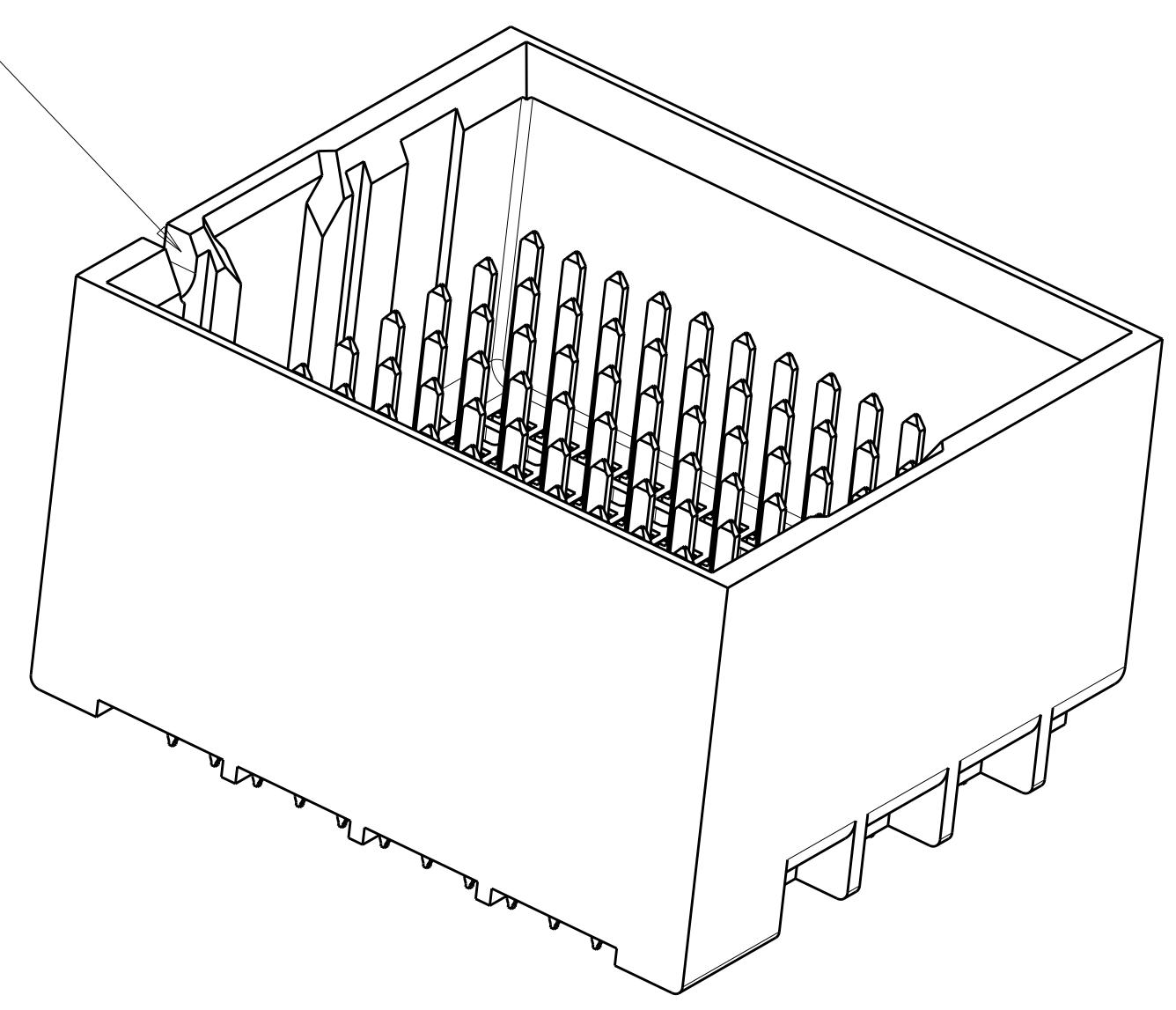


LOC	DIST	REVISIONS			
P	LTN	DESCRIPTION	DATE	DWN	APVD
A1		REVISED PER ECO-15-003239	24MAR2015	AP	DD

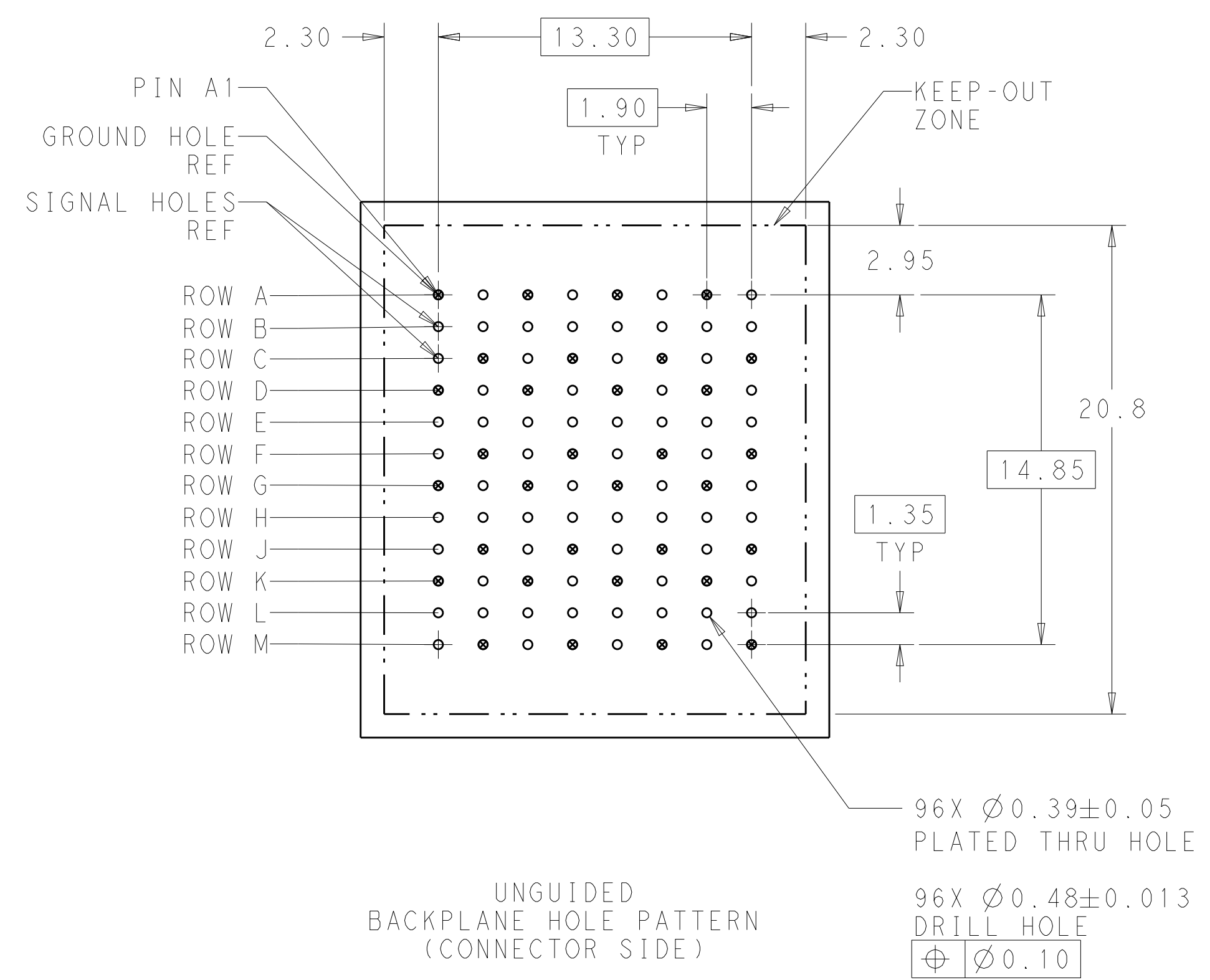


NOTCH DESIGNATES ROW A



⚠ MATERIAL:
HOUSING: LCP, GLASS FILLED, UL94V-0.
TERMINALS: HIGH PERFORMANCE COPPER ALLOY.

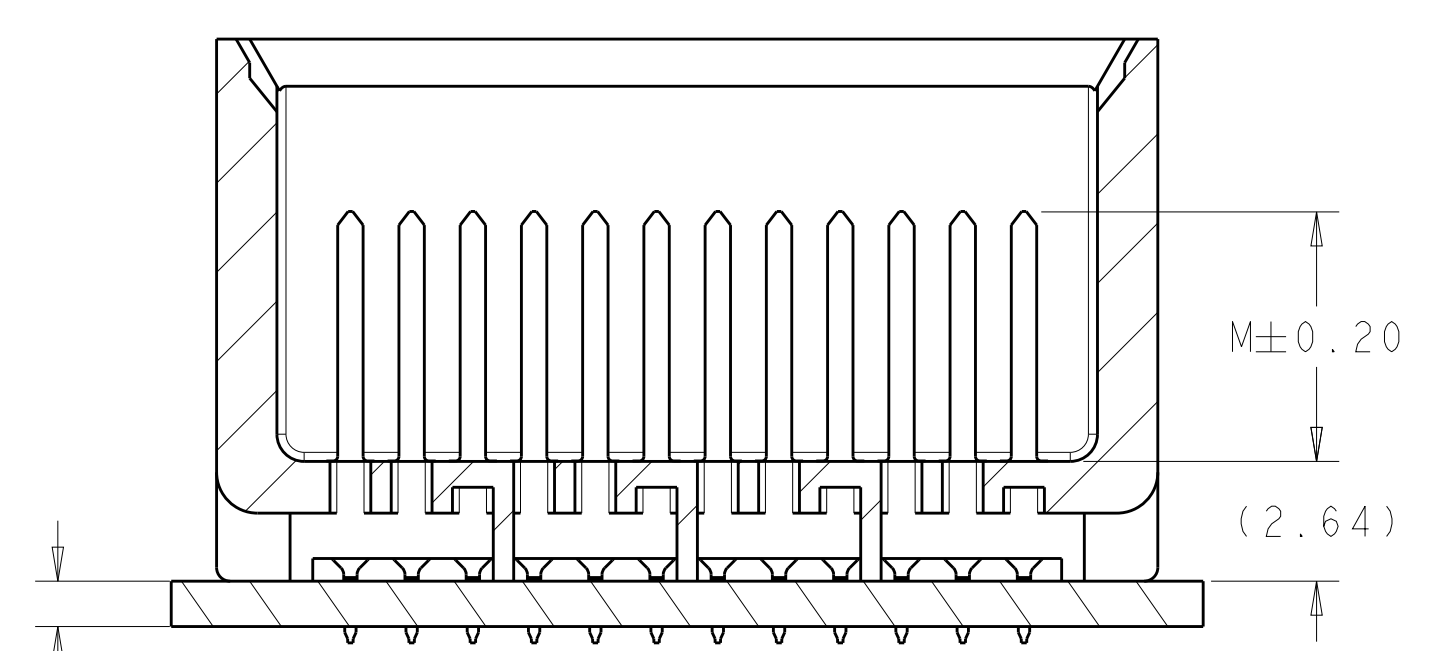
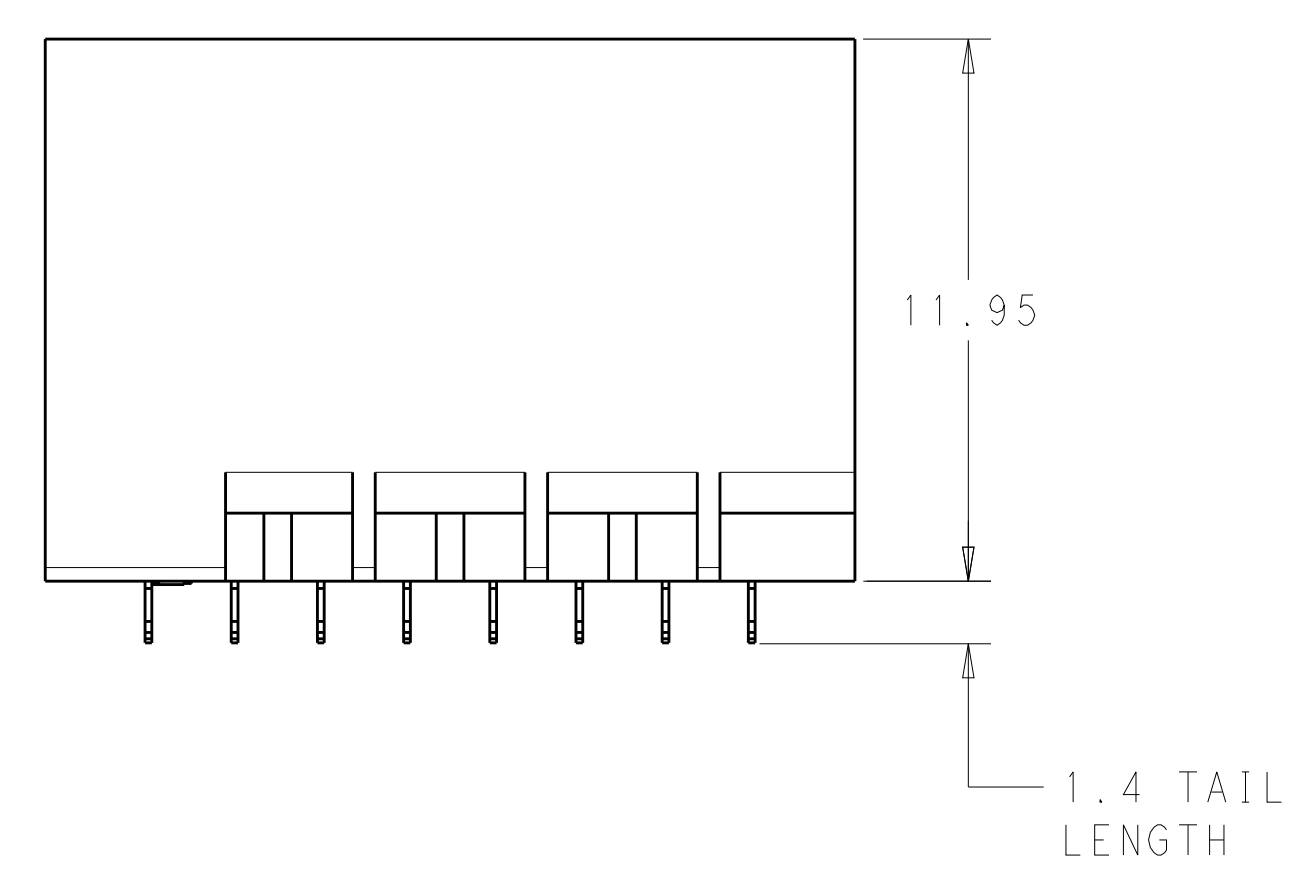
⚠ FINISH:
30μ" MIN GOLD IN CONTACT AREA. SELECTIVE TIN ON PCB TAILS, NICKEL OVERALL.



UNGUIDED BACKPLANE HOLE PATTERN (CONNECTOR SIDE)

96X Ø0.39±0.05 PLATED THRU HOLE

96X Ø0.48±0.013 DRILL HOLE
⊕ Ø0.10



SECTION A-A

1.00 MINIMUM BOARD THICKNESS

THIS DRAWING IS A CONTROLLED DOCUMENT.		DWN: KIRAN HOLAL 02JAN2014	TE Connectivity
DIMENSIONS: mm		CHK: D. DIXON 02JAN2014	
TOLERANCES UNLESS OTHERWISE SPECIFIED:		APVD: D. DIXON 02JAN2014	NAME: IMPACT, 4 PAIR, 8 COLUMN, HEADER UNGUIDED, DUAL END WALL SIGNAL MODULE, 0.39 PTH
0 PLC ±0.25		PRODUCT SPEC	
1 PLC ±0.13		APPLICATION SPEC	SIZE: A1
2 PLC ±		RESTRICTED TO	CAGE CODE: 2057448
3 PLC ±		WEIGHT	SCALE: 6:1
4 PLC ±		Customer Drawing	SHEET 1 OF 2
ANGLES ±			REV: A1
FINISH: SEE TABLE			

THIS DRAWING IS UNPUBLISHED. RELEASED FOR PUBLICATION 20
 © COPYRIGHT 20 BY - ALL RIGHTS RESERVED.

LOC	DIST	REVISIONS					
		P	LTN	DESCRIPTION	DATE	DWN	APVD
AD	00	-	-	SEE SHEET 1	-	-	-

	5.5	2057448-3
	4.9	2057448-2
	4.5	2057448-1
FINISH	DIM M	PART NUMBER

REFER TO WWW.TE.COM
FOR PRODUCT AVAILABILITY

THIS DRAWING IS A CONTROLLED DOCUMENT.		DWN KIRAN HOLAL 02JAN2014	
DIMENSIONS: mm		CHK D. DIXON 02JAN2014	
TOLERANCES UNLESS OTHERWISE SPECIFIED: 0 PLC ± 1 PLC ±0.25 2 PLC ±0.13 3 PLC ± 4 PLC ±		APVD D. DIXON 02JAN2014	NAME IMPACT, 4 PAIR, 8 COLUMN, HEADER UNGUIDED, DUAL END WALL SIGNAL MODULE, 0.39 PTH
ANGLES FINISH SEE TABLE		PRODUCT SPEC - APPLICATION SPEC - WEIGHT -	RESTRICTED TO A100779C=2057448
MATERIAL -		Customer Drawing	SCALE 5:1 SHEET 2 OF 2 REV A1

单击下面可查看定价，库存，交付和生命周期等信息

[>>TE Connectivity\(泰科\)](#)