

4

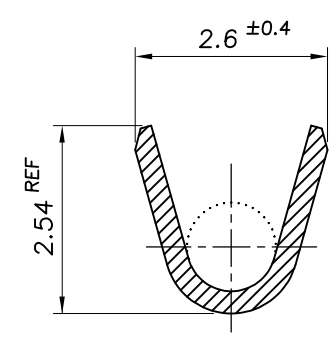
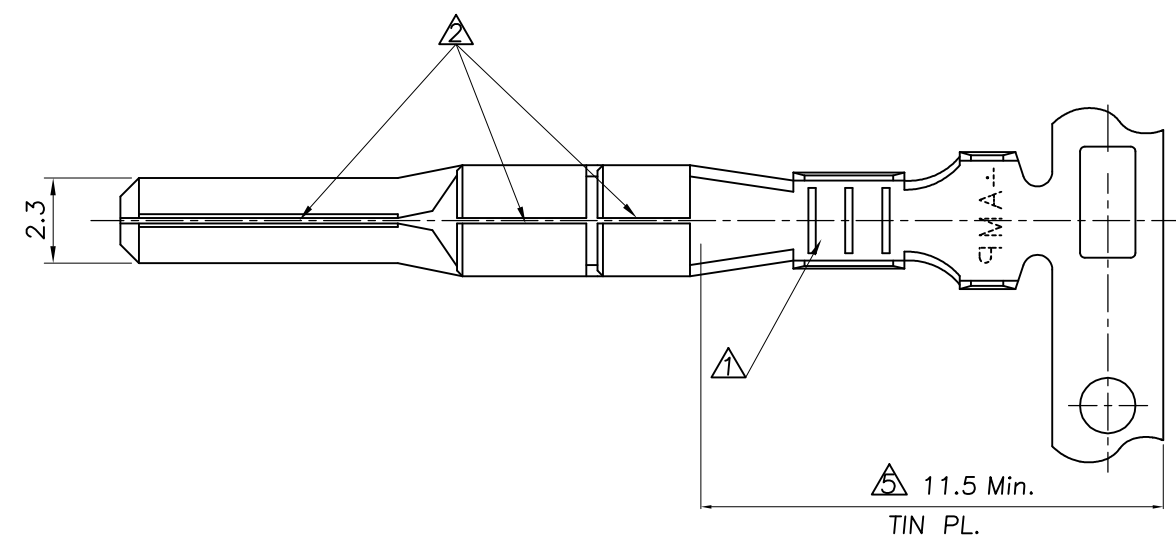
3

2

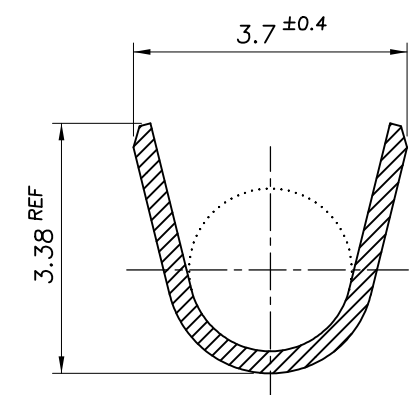
1

REVISIONS

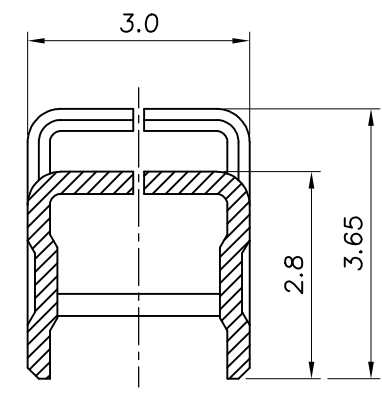
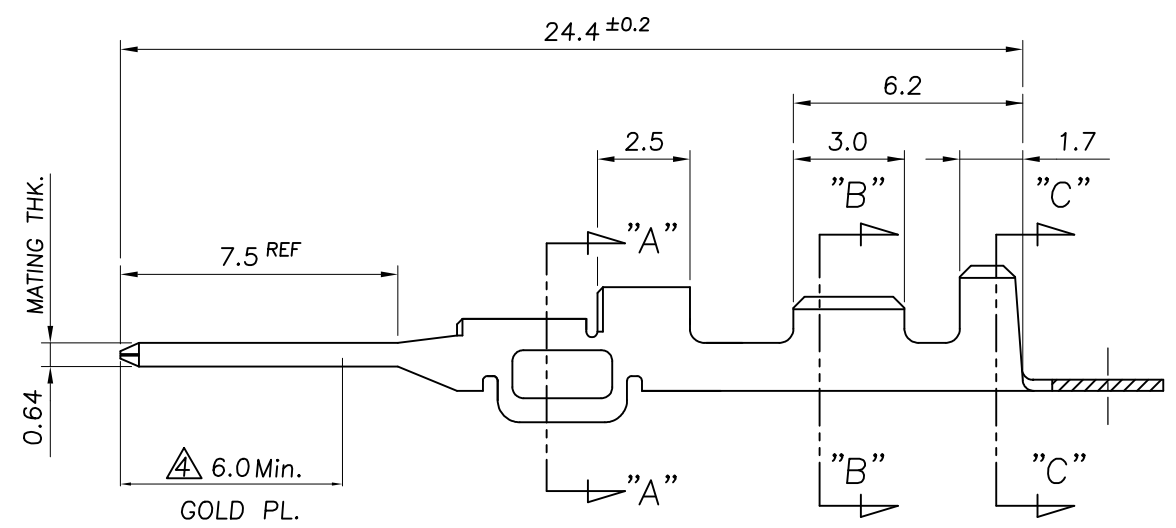
P	LTR	DESCRIPTION	DATE	DWN	APVD
	B1	RELEASED (ECR-19-011725)	25/JUL/19	JW	YJ



SECTION "B-B"
SCALE=10/1



SECTION "C-C"
SCALE=10/1



SECTION "A-A"
SCALE=10/1

* NOTES

- △ THREE SERRATIONS CENTERED IN WIRE BARREL.
- △ 0.15 MAX GAP PERMISSIBLE.
- 3 WIRE SIZE EQUIV CAVUS 0.3 ~ AVS 0.5 sqmm.

4/5 SELECTIVE GOLD PRE-TINNED	BRASS STRIP 0.30THK.	1- 368088 -1
	FINISH	MATERIAL

THIS DRAWING IS A CONTROLLED DOCUMENT.		DWN : JG MOON		TE Connectivity	
DIMENSIONS:		CHK : BM JANG			
		APVD : CS LEE		NAME	
		PRODUCT SPEC		.090 II MLC TAB CONTACT	
TOLERANCES UNLESS OTHERWISE SPECIFIED:		APPLICATION SPEC		SIZE	
0 PLC ±		108-61021		CAGE CODE	
1 PLC ±		114-61004		DRAWING NO	
2 PLC ±		NET; 0.33gf		RESTRICTED TO	
3 PLC ±		CUSTOMER DRAWING		SCALE 5/1	
4 PLC ±		WEIGHT		SHEET 1 OF 1	
ANGLES ±		A3 00779		REV B1	
FINISH		C- 3 6 8 0 8 8			

单击下面可查看定价，库存，交付和生命周期等信息

[>>TE Connectivity\(泰科\)](#)