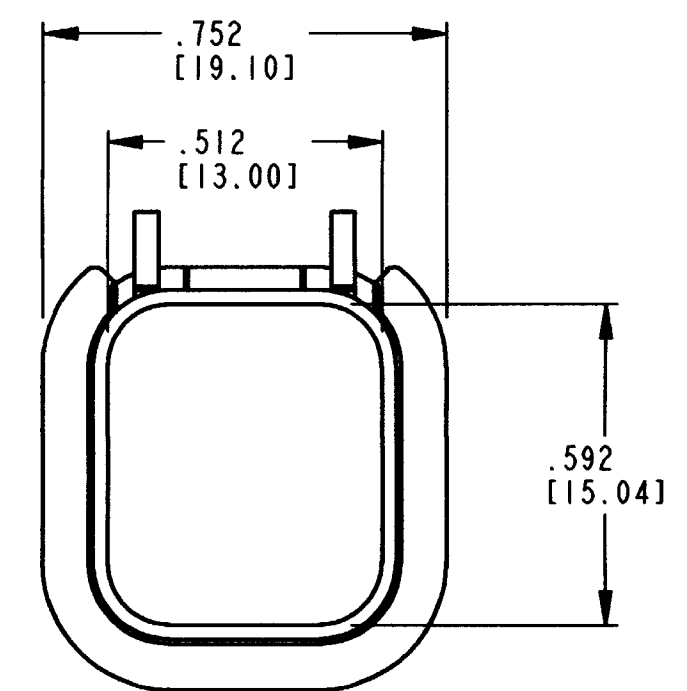
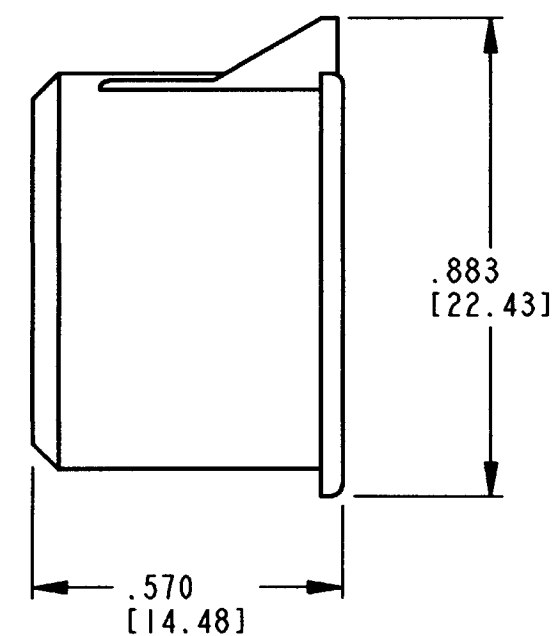
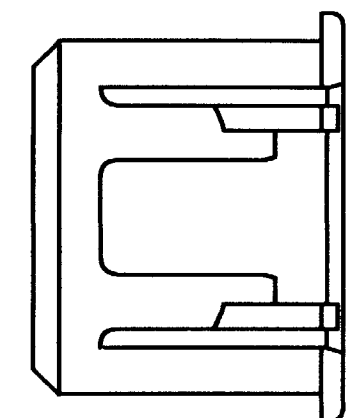


5. ASSEMBLE SLEEVE RETAINER AS SHOWN. SNAP SLEEVE RETAINER INTO RECEPTACLE. VERIFY SLEEVE RETAINER RETENTION FINGERS ARE FULLY SEATED BEHIND RECEPTACLE LATCH BUMPS. RECEPTACLE AND INTERFACE SEAL SHOWN FOR REFERENCE ONLY.

- 4. MATERIAL: PLASTIC
  - 3. PART DESIGNED TO FIT DTM04-6P-\*\*\*\* (\*\*\*\* = ALL MODIFICATIONS) CONSULT FACTORY FOR MODIFICATIONS.
  - 2. DIMENSIONS ARE ±.025 [.64]
  - 1. DIMENSIONS ARE IN INCHES [mm]
- NOTES: UNLESS OTHERWISE SPECIFIED

REV NC 1011-086-0605

REVISIONS			
SYM	DESCRIPTION	DATE	APPROVED
NC	NEW RELEASE PER E.O. P18258	8-22-03	ADR



SIGNATURE & DATE	
DR	V. TOMSA AUG-5-03.
CHK	<i>[Signature]</i> 8/19/03
PE	<i>Vladimir Tomsa</i> AUG 7 03
APPD	<i>[Signature]</i> 8/11/03
SCALE	NONE

SLEEVE RETAINER FOR 6 PIN RECEPTACLE  
 COLOR: BLACK  
 DTM SERIES

ENVELOPE

CP	MATL. CODE
<b>The Deutch Company</b> DEUTSCH I.P.D. 3850 INDUSTRIAL AVE. HEMET, CALIF. 92545	
<b>B</b>	<b>1011-086-0605</b>
DWG SIZE	CODE 11139 SHEET   OF

单击下面可查看定价，库存，交付和生命周期等信息

[>>TE Connectivity\(泰科\)](#)