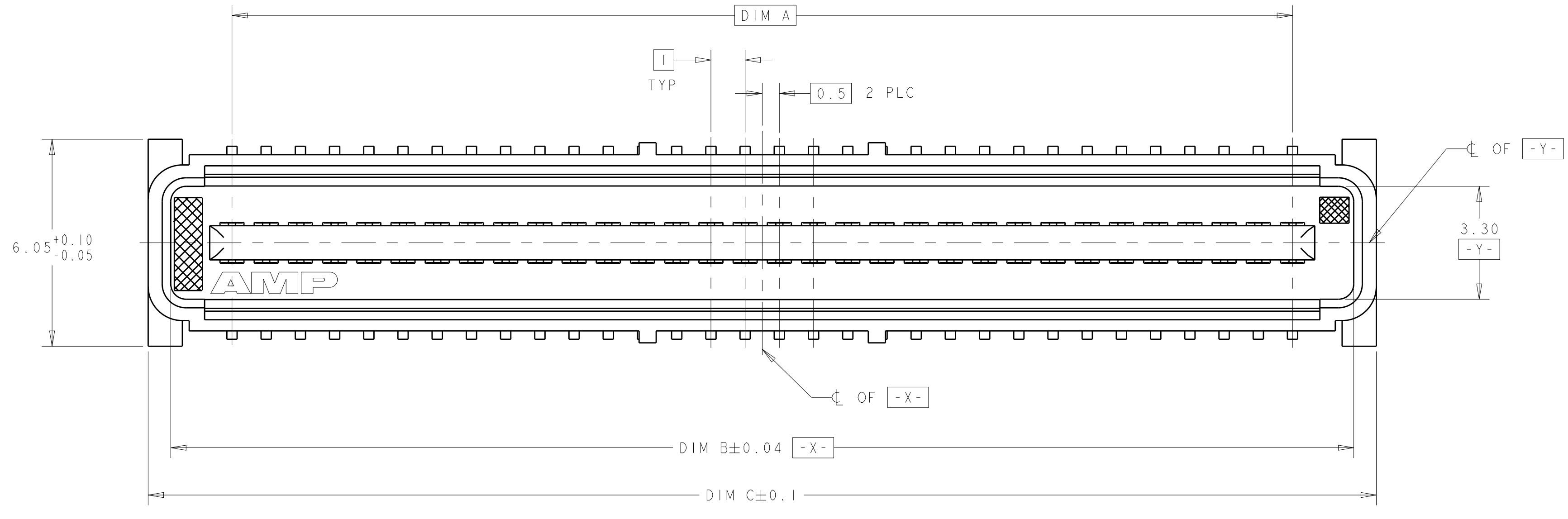
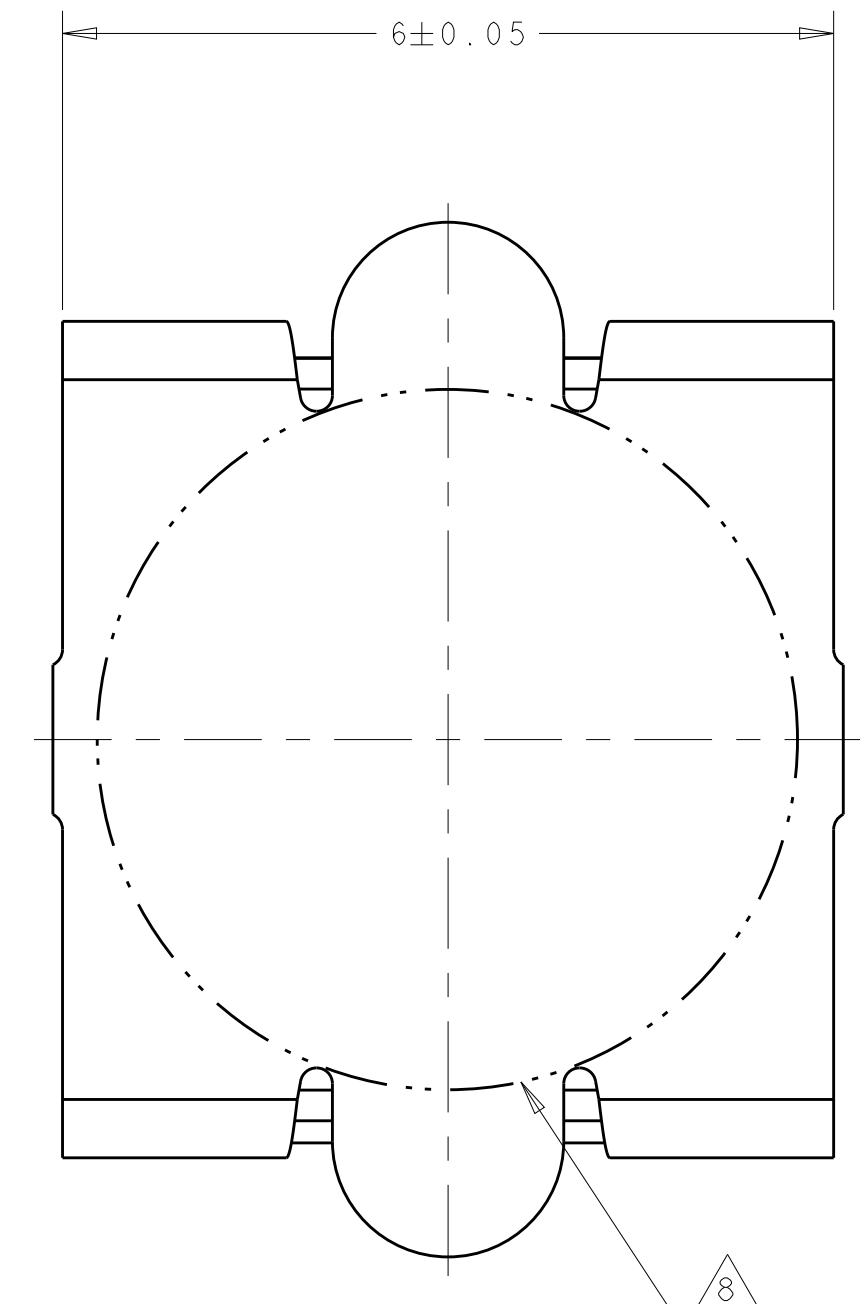
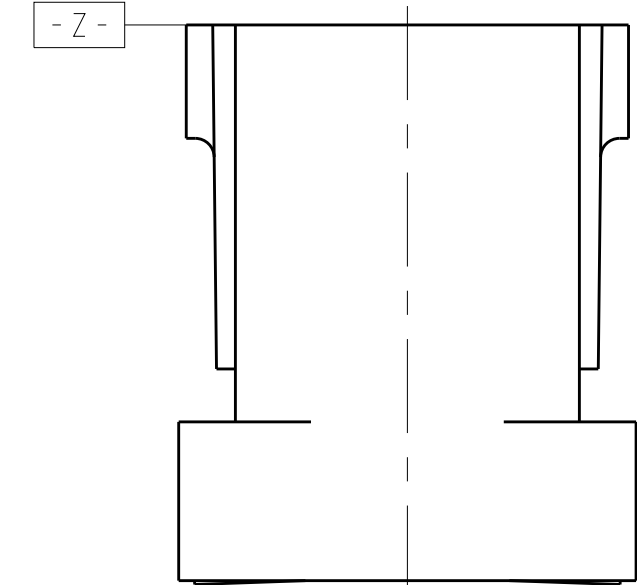
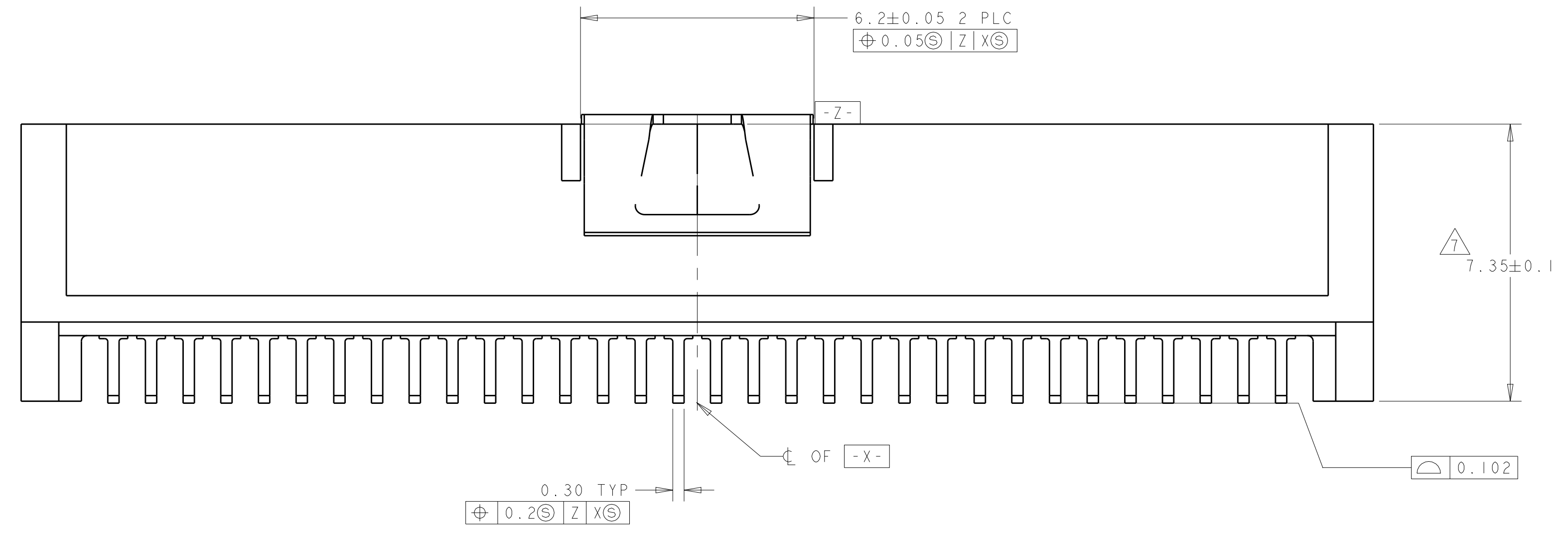


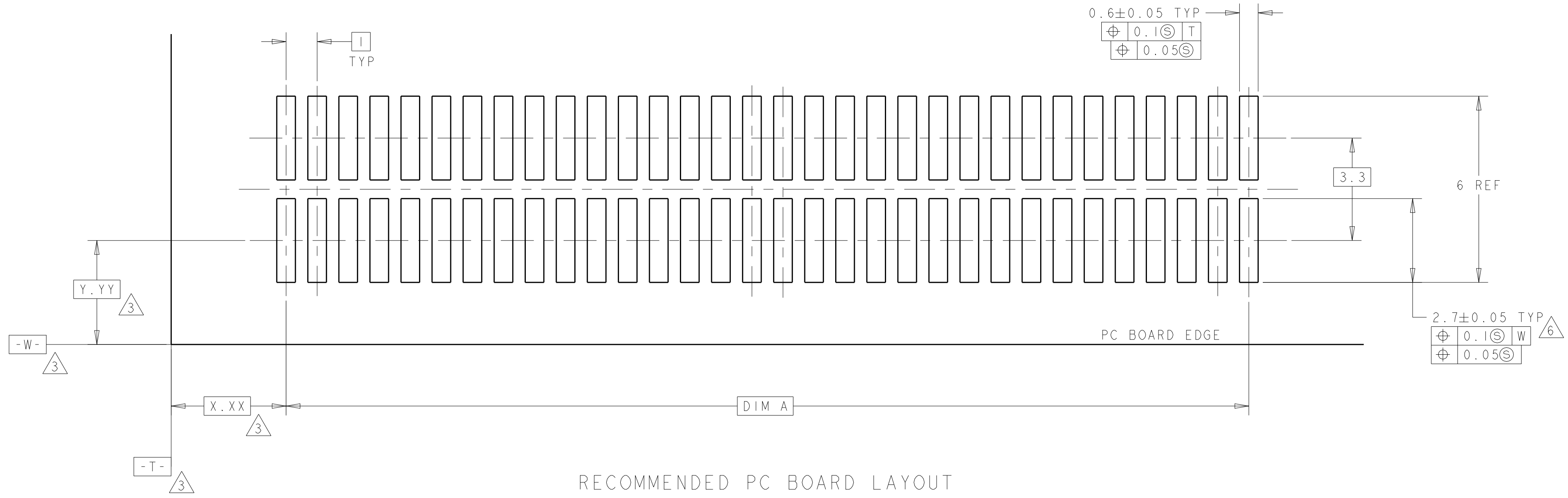
| REVISIONS | | | | |
|-----------|-----|---------------------------|-----------|-------------|
| P. | LTN | DESCRIPTION | DATE | OWN APVD |
| H | | REVISED PER ECR-14-016951 | 11FEB2015 | J. T. W. H. |



- 1 HOUSING MATERIAL: LIQUID CRYSTAL POLYMER COLOR: BLACK. CONTACT MATERIAL: PHOSPHOR BRONZE.
- 2 CONTACT FINISH: NICKEL UNDERPLATE ALL OVER, MATING SURFACES PLATED TO MEET PLI PERFORMANCE REQUIREMENTS OF INDUSTRY SPECIFICATION EIA-700AAAB, SOLDER TAILS PLATED TIN-LEAD.
- 3 DATUM LOCATIONS AND BASIC DIMENSIONS TO BE ESTABLISHED BY THE CUSTOMER. CONSULT AMP ENGINEERING WHEN PLACING MULTIPLE CONNECTORS ON A PC BOARD.
- 4. PACKAGED IN TAPE ON REEL PER EIA-481.
- 5. VACUUM COVER DESIGNED FOR 4mm DIA. NOZZLE. VACUUM COVER TO BE REMOVED AFTER SOLDERING. VACUUM COVER REMOVED FROM SOME VIEWS FOR DIMENSIONAL CLARITY.
- 6 SHORTER SOLDER LANDS MAY BE USED PER EIA 700AAAB, HOWEVER 2.7 LENGTH ASSURES OPTIMUM SOLDER FILLET REGARDLESS OF MANUFACTURER OF CONNECTOR.
- 7 REFERRED TO AS DIM N IN EIA 700AAAB SPECIFICATION.
- 8 5.5 MIN DIAMETER TARGET AREA FOR VACUUM PICK-UP.
- 9 CONTACT FINISH: 0.002 MINIMUM BRIGHT TIN-LEAD (93-7) ON SOLDER AREA, 0.00127 MINIMUM GOLD ON MATING AREA, BOTH OVER 0.00127 MINIMUM NICKEL ON ENTIRE CONTACT.



VACUUM COVER



RECOMMENDED PC BOARD LAYOUT

| FINISH | DIM C | DIM B | DIM A | MATING CONNECTOR | STACK HGTS | POS | PART NO |
|--------|-------|-------|-------|------------------|------------|-----|------------|
| 9 | 45.9 | 44.58 | 41 | 120531-2 | 14 | 84 | 1-120533-2 |
| 9 | 45.9 | 44.58 | 41 | 120529-2 | 11 | 84 | 1-120533-2 |
| 9 | 45.9 | 44.58 | 41 | 120528-2 | 9 | 84 | 1-120533-2 |
| 9 | 35.9 | 34.58 | 31 | 120531-1 | 14 | 64 | 1-120533-1 |
| 9 | 35.9 | 34.58 | 31 | 120529-1 | 11 | 64 | 1-120533-1 |
| 9 | 35.9 | 34.58 | 31 | 120528-1 | 9 | 64 | 1-120533-1 |
| 2 | 45.9 | 44.58 | 41 | 120531-2 | 14 | 84 | 120533-2 |
| 2 | 45.9 | 44.58 | 41 | 120529-2 | 11 | 84 | 120533-2 |
| 2 | 45.9 | 44.58 | 41 | 120528-2 | 9 | 84 | 120533-2 |
| 2 | 35.9 | 34.58 | 31 | 120531-1 | 14 | 64 | 120533-1 |
| 2 | 35.9 | 34.58 | 31 | 120529-1 | 11 | 64 | 120533-1 |
| 2 | 35.9 | 34.58 | 31 | 120528-1 | 9 | 64 | 120533-1 |

THIS DRAWING IS A CONTROLLED DOCUMENT. DWN: J. REED 27/19/97. CHK: L. VO 27/19/97. APVD: -

TE Connectivity

PRODUCT SPEC: 502-1079. APPLICATION SPEC: 114-25045. WEIGHT: -.

PLUG ASSY, W/COVER. 1.0mm FH(IEEE) CONNECTOR.

SIZE: A1. CAGE CODE: -120533. DRAWING NO: -.

SCALE: 17:1. SHEET: 1 OF 1. REV: H.

单击下面可查看定价，库存，交付和生命周期等信息

[>>TE Connectivity\(泰科\)](#)