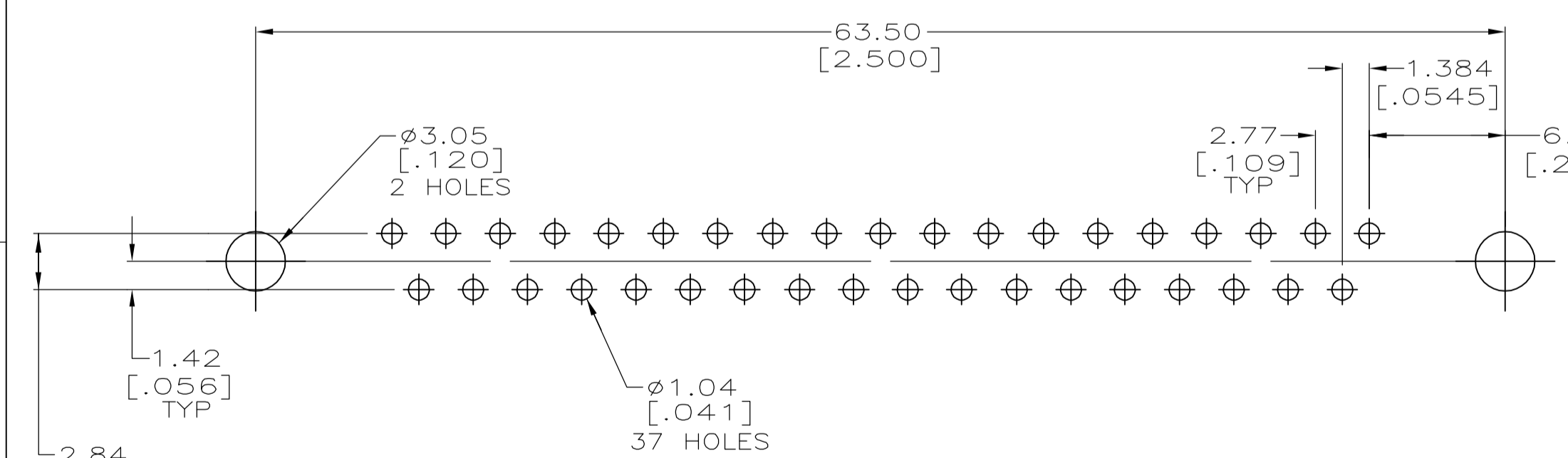
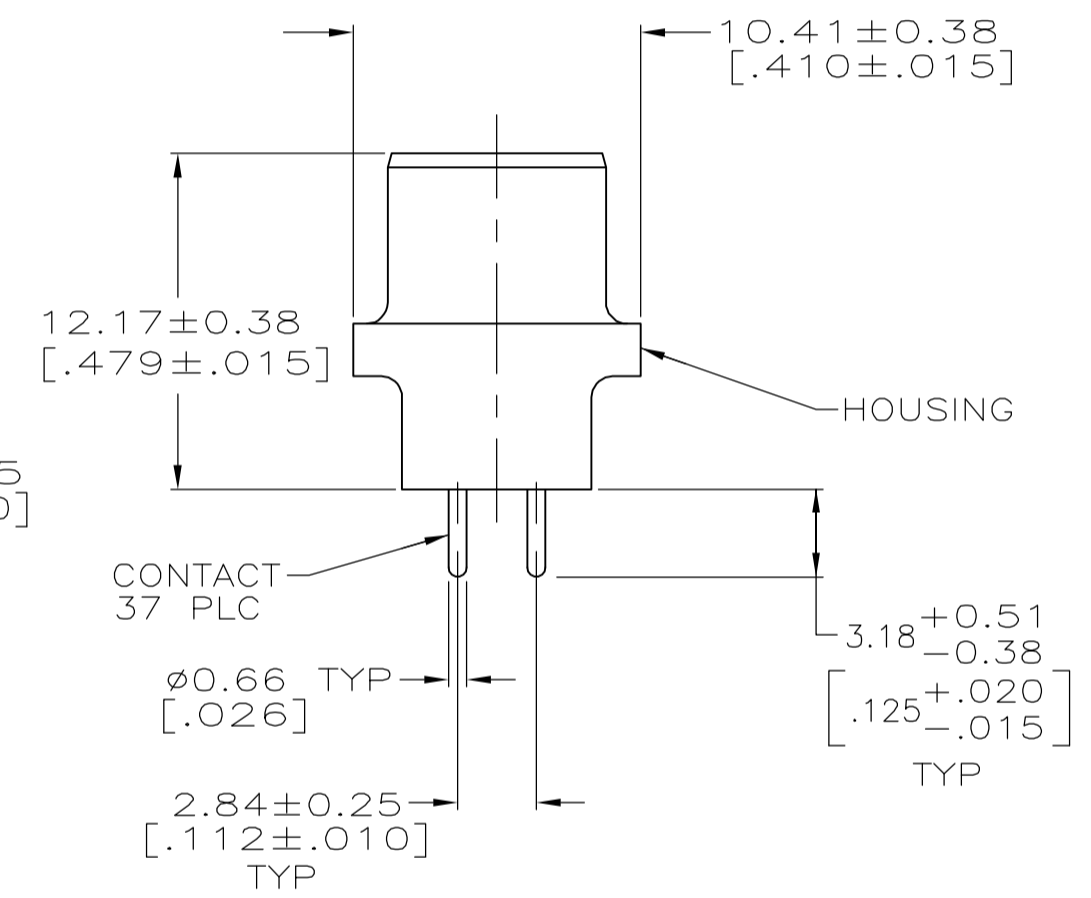
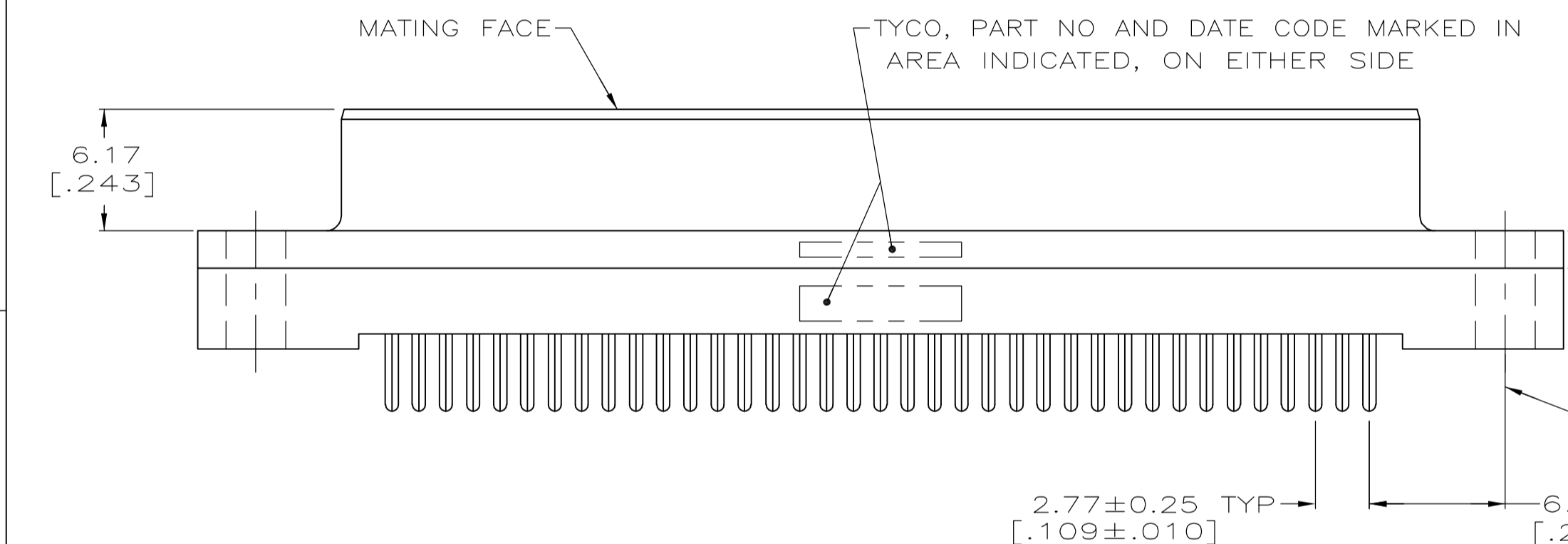


- 1 HOUSING: BLACK POLYESTER, UL 94V-0 RATED. CONTACTS: PHOSPHOR BRONZE.
- 2 CONTACTS: 0.76 μm [.000030] MIN GOLD FOR A LENGTH OF 2.54 [.100] MIN FROM MATING END, 2.54 μm [.000100] MIN TIN FOR A LENGTH OF 3.18 [.125] FROM OPPOSITE END, ALL OVER 1.27 μm [.000050] MIN NICKEL.



RECOMMENDED PC BOARD MOUNTING DIMENSIONS

**COPYRIGHT 2005  
TYCO ELECTRONICS CORP  
ALL RIGHTS RESERVED**

LOC	DIST	REVISIONS					
GP	00	P	LTR	DESCRIPTION	DATE	DWN	APVD
		0		RELEASED PER EC 0513-0087-05	08SEP05	GP	JG

THIS DRAWING IS A CONTROLLED DOCUMENT.		DWN	G.PETERS	08SEP05		Tyco Electronics Corporation Harrisburg, Pa 17105-3608	
DIMENSIONS: mm [INCHES]		CHK	S.BOLASH	08SEP05		RECEPTACLE ASSEMBLY, SIZE 4, 37 POSN, VERTICAL, AMPLIMITE HD-20	
TOLERANCES UNLESS OTHERWISE SPECIFIED:		APVD	M.WALMSLEY	08SEP05	NAME	108-40025	
0 PLC	± -	PRODUCT SPEC		APPLICATION SPEC	SIZE	CAGE CODE	DRAWING NO
1 PLC	± -	MATERIAL		FINISH	A2	00779	5207829
2 PLC	± 0.13 [.005]	MATERIAL		FINISH	CUSTOMER DRAWING		SCALE 4:1
3 PLC	± -	MATERIAL		FINISH	WEIGHT -		SHEET 1 OF 1
4 PLC	± - ± 2'	MATERIAL		FINISH	RESTRICTED TO -		REV 0

单击下面可查看定价，库存，交付和生命周期等信息

[>>TE Connectivity\(泰科\)](#)