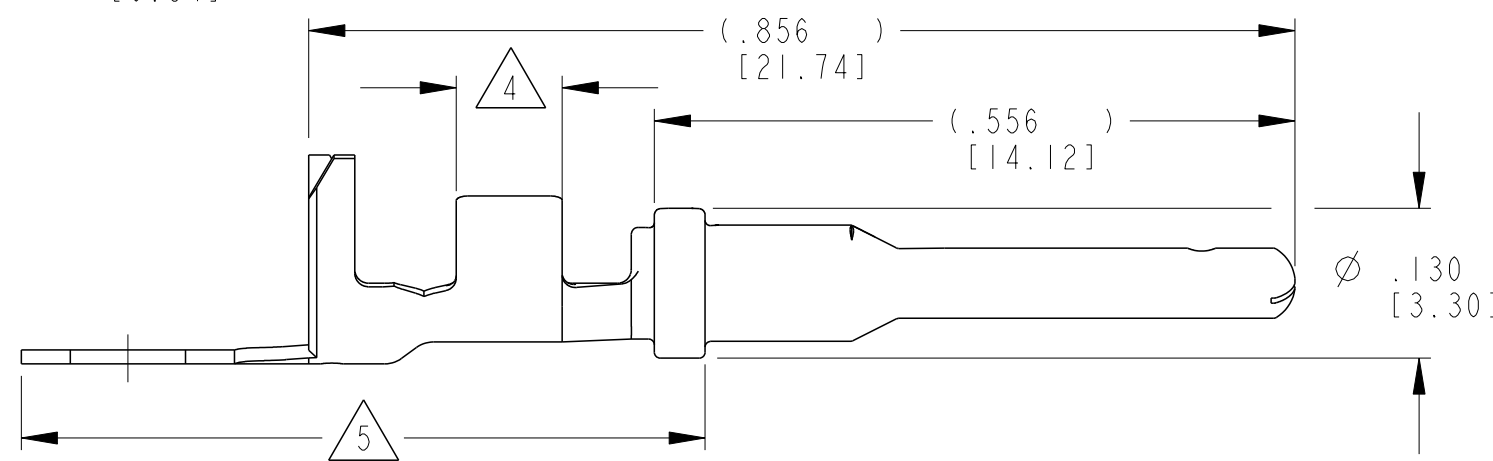
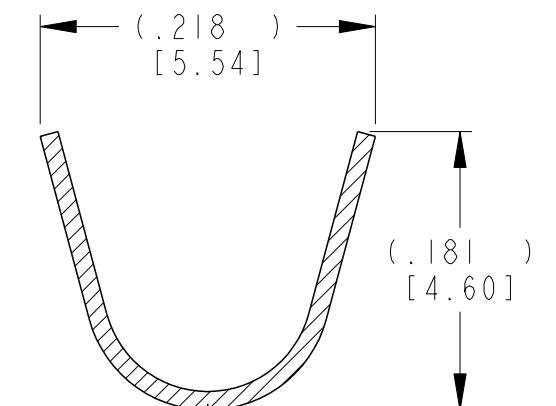
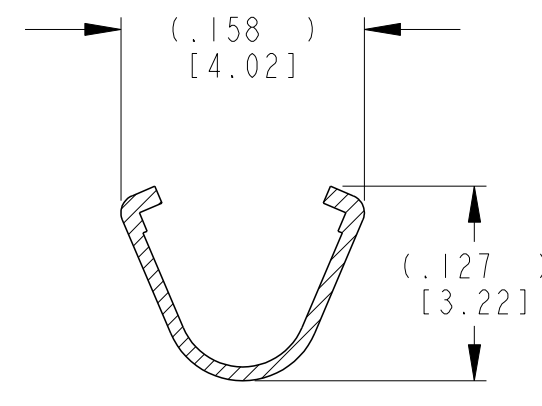
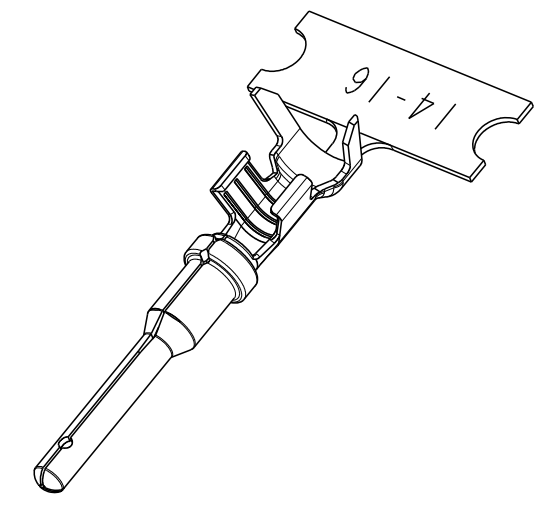
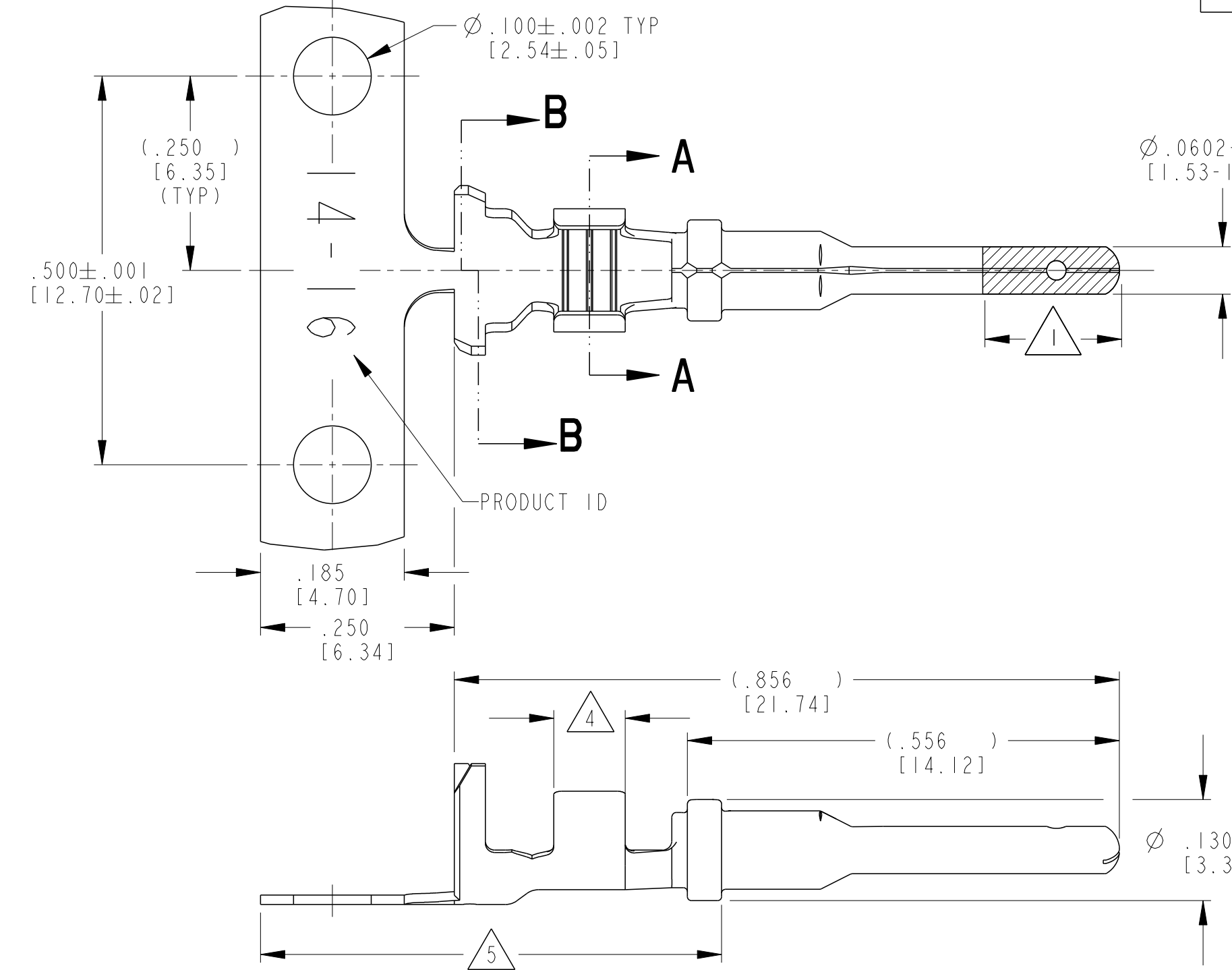


LOC	DIST	REVISIONS			
P	LTR	DESCRIPTION	DATE	DWN	APVD
	F	REVISED PER ECO-15-007761	28MAY2015	RL	DM
	G	REVISED PER PCN E-20-008101	12JUN2020	DM	DM



TE INTERNAL PN	DEUTSCH PN	PLATING
1060-14-0122	1060-14-0122	Ni/Cu overall, Sn/Ni/Cu Wire Barrel
1060-14-0144	1060-14-0144	Selective Au, Ni/Cu overall, Sn/Ni/Cu Wire Barrel
1060-14-0177	1060-14-0177	Sn/Ni/Cu overall

- 5 TIN PLATING MAY BE IN THIS REGION.
- 4 TIN PLATED REGION.
- 3 MATERIAL: .012 [0.30] THICK COPPER ALLOY
- 2. WIRE RANGE: 18 AWG TO 14 AWG [0.75-2.0 mm<sup>2</sup>]  
 INSULATION RANGE: Ø.095-.150 [Ø2.41-3.81]
- 1 GOLD PLATED REGION.

NOTES: UNLESS OTHERWISE SPECIFIED

THIS DRAWING IS A CONTROLLED DOCUMENT.

DIMENSIONS: INCHES [mm]	TOLERANCES UNLESS OTHERWISE SPECIFIED: 0 PLC ± 1 PLC ± 2 PLC ± 3 PLC ±.025 [0.64] 4 PLC ± ANGLES ±	DWN MICHAEL BLOOM 04NOV1999	TE Connectivity	
		CHK VLADIMIR TOMSA 04DEC2000		
	MATERIAL 3	APVD ROBIN REED 08DEC2000		NAME STAMPED CONTACT PIN SIZE 16
		FINISH SEE TABLE		PRODUCT SPEC 108-151000 APPLICATION SPEC 114-151000

Customer Drawing      SCALE 6:1      SHEET 1 OF 1      REV G

单击下面可查看定价，库存，交付和生命周期等信息

[>>TE Connectivity\(泰科\)](#)