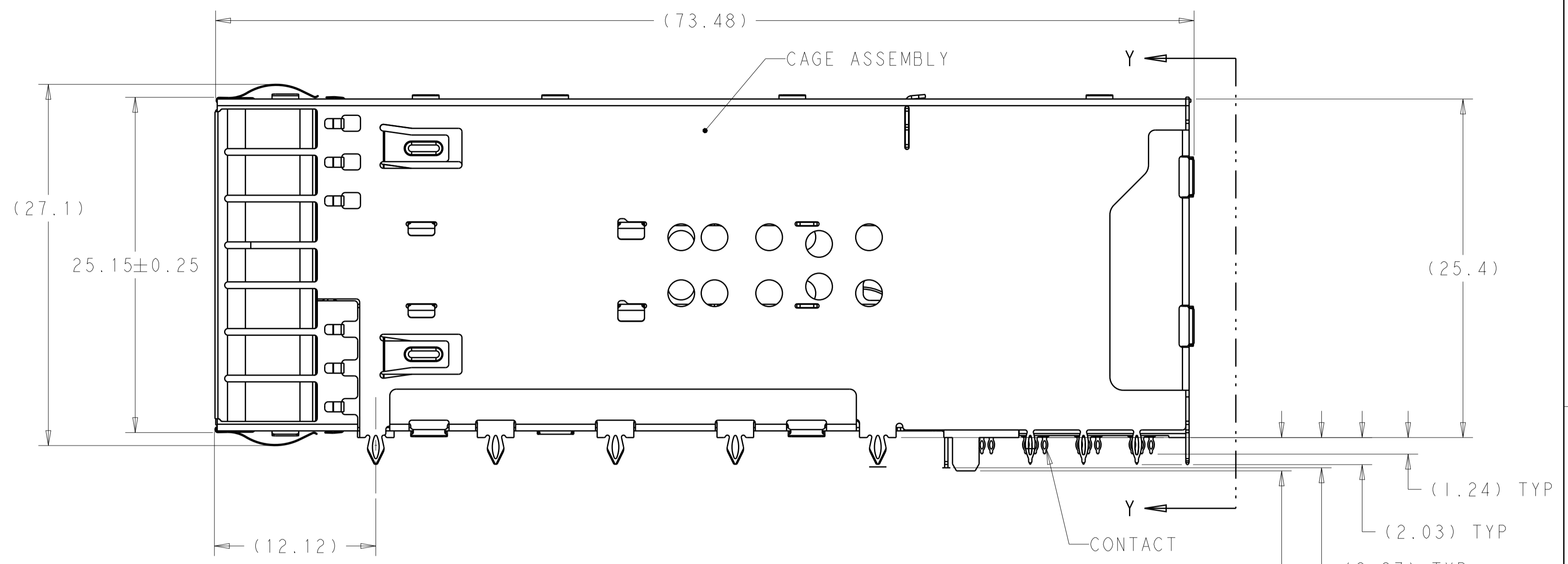
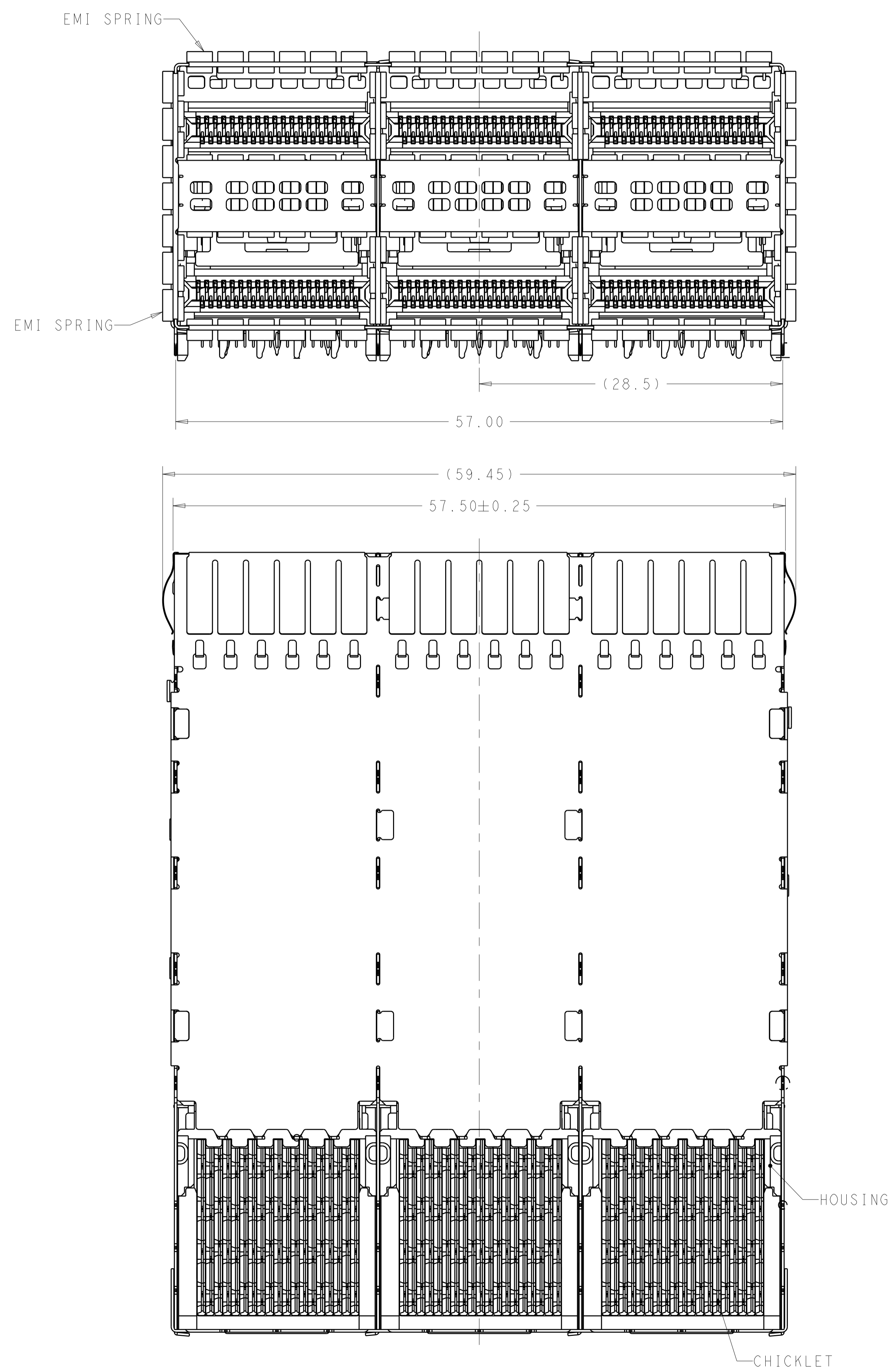


LOC		DIST		REVISIONS			
P	LTN	DESCRIPTION	DATE	DWN	APVD		
A		RELEASED FOR PRODUCTION	03MAR2016	TX	SH		



- MATERIALS:
 CAGE ASSEMBLY- NICKEL SILVER ALLOY PER ASTM B 122.
 EMI SPRING- COPPER ALLOY, NICKEL PLATED.
 HOUSING- POLYESTER LCP WITH 94 V-0
 CHICKLET- POLYESTER LCP WITH 94 V-0
 CONTACT- COPPER ALLOY.
 LIGHTPIPE- POLYCARBONATE
- CONTACT FINISH: 0.76µm GOLD ON MATING END, 1.25µm TIN ON SOLDER TAIL, ALL OVER 1.27µm NICKEL.
- DATUM AND BASIC DIMENSION ESTABLISHED BY CUSTOMER.
- MINIMUM PCB THICKNESS OF 1.57.
- THE ENTIRE AREA OF THE CONNECTOR FOOTPRINT, INDICATED BY THE DASHED LINE, TO BE CONSIDERED THE KEEPOUT AREA FOR COMPONENTS.
- CROSS-HATCHED AREAS REPRESENT ZONES ON THE PCB THAT COME IN CONTACT WITH OR BE IN CLOSE PROXIMITY TO THE PLASTIC HOUSING OR THE CONNECTOR CAGE. INDICATED AREAS TO BE CONSIDERED TRACE FREE.
- PART NUMBER AND DATE CODE MADE IN APPROXIMATE AREA SHOWN.
- CONTACT FINISH: 0.08µm MINIMUM GOLD OVER 0.68µm PALLADIUM-NICKEL ON MATING END, 1.25µm TIN ON SOLDER TAIL, ALL OVER 1.27µm NICKEL.
- REMOVE THE PCB HOLES FOR 1-2227671-0 FOR BELLY TO BELLY APPLICATION
- HATCHED AREA IS PLACEMENT ZONE FOR LED. LED SHOULD BE CENTERED WITHIN ZONE. RECOMMEND 0805 PACKAGE

CONTACT FINISH	DESCRIPTION	PART NUMBER
2	ALL INDICATOR DOWN, 4 LP	1-2227671-2
2	DUAL LEFT INDICATOR UP, 4 LP	1-2227671-1
2	LEFT INDICATOR UP, 2 LP	1-2227671-0
2	LEFT INDICATOR DOWN, 4 LP	2227671-9
2	LEFT INDICATOR UP, 4 LP	2227671-8
2	ALL INDICATOR UP, 4 LP	2227671-7
8	LEFT INDICATOR DOWN	2227671-6
8	LEFT INDICATOR UP	2227671-5
8	NO LIGHTPIPE	2227671-4
2	LEFT INDICATOR DOWN	2227671-3
2	LEFT INDICATOR UP	2227671-2
2	NO LIGHTPIPE	2227671-1

THIS DRAWING IS A CONTROLLED DOCUMENT. DWN: M_SHIRK 18JAN2013
 CHK: D_SZCZESNY 18JAN2013

DIMENSIONS: mm
 TOLERANCES UNLESS OTHERWISE SPECIFIED:
 0 PLC ±
 1 PLC ±0.25
 2 PLC ±0.15
 3 PLC ±
 4 PLC ±
 ANGLES ±
 FINISH ±

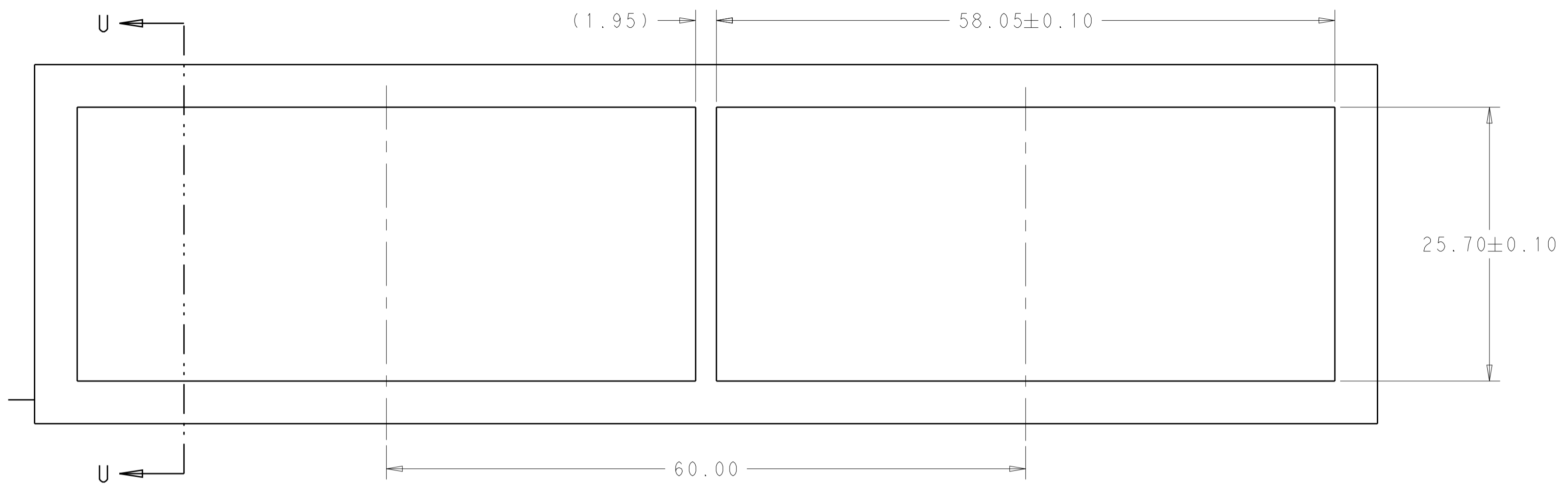
PRODUCT SPEC: 108-60102
 APPLICATION SPEC: 114-60015

WEIGHT: -
 CUSTOMER DRAWING

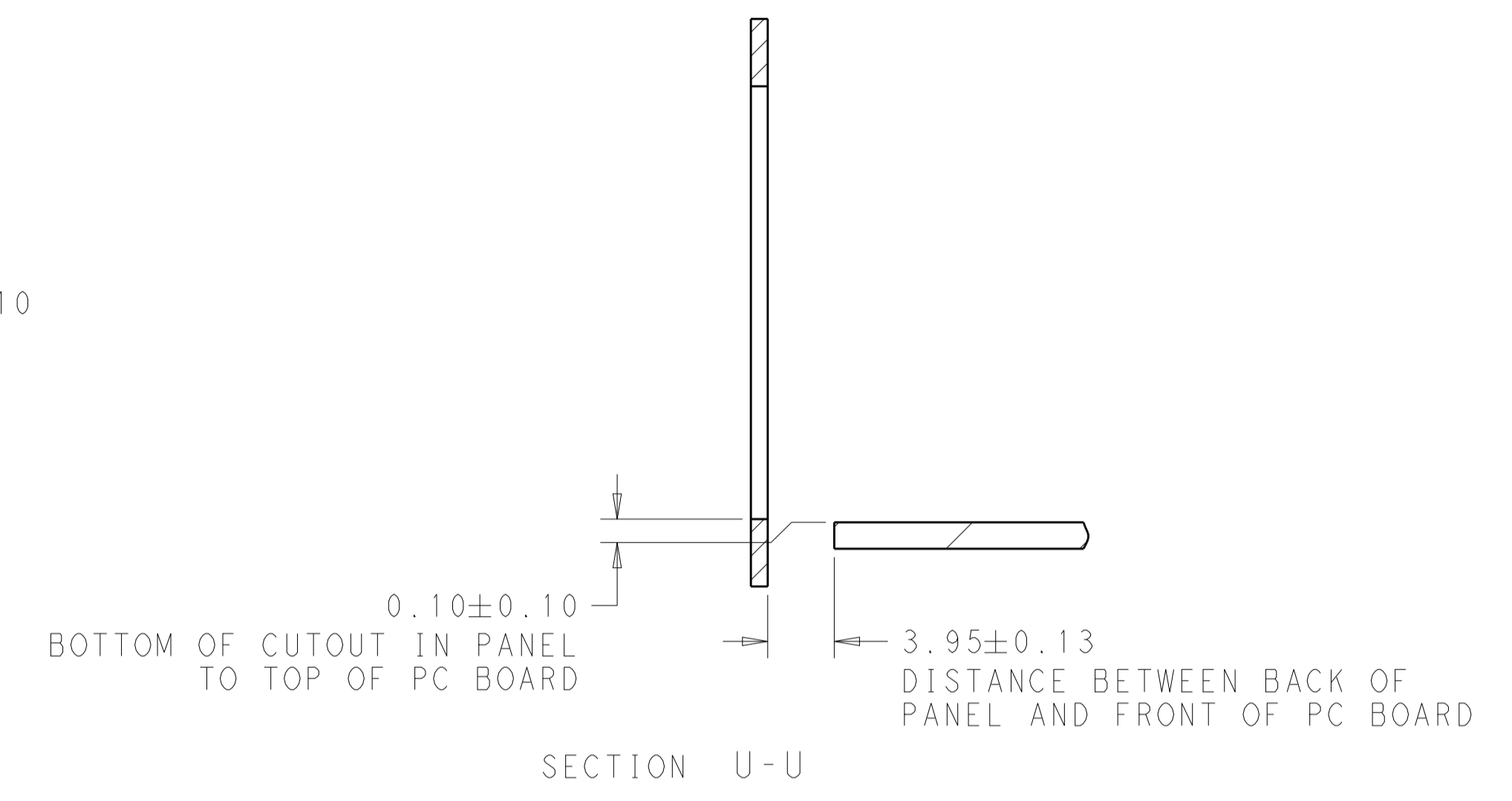
APVD: -
 NAME: CAGE AND CONNECTOR ASSEMBLY, WITH EMI SPRING, THRU BEZEL, 2X3, ZQSFP+ STACKED
 SIZE: A1
 CAGE CODE: 100779
 DRAWING NO: 2227671
 RESTRICTED TO: -

SCALE: 4:1 SHEET 1 OF 6 REV A

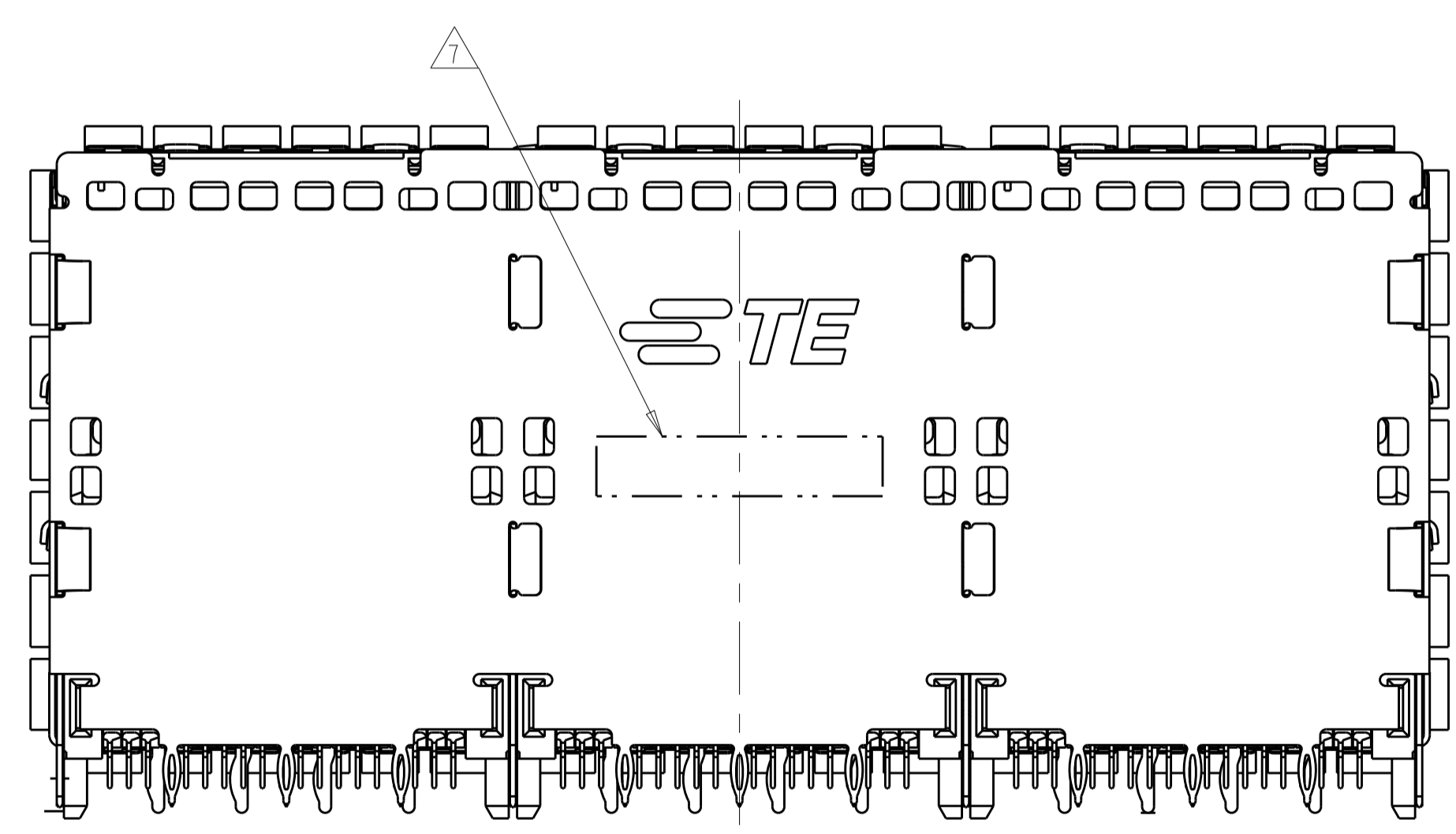
LOC		DIST		REVISIONS			
P	LTN	DESCRIPTION	DATE	DWN	APVD		
-	-	SEE SHEET 1	-	-	-		



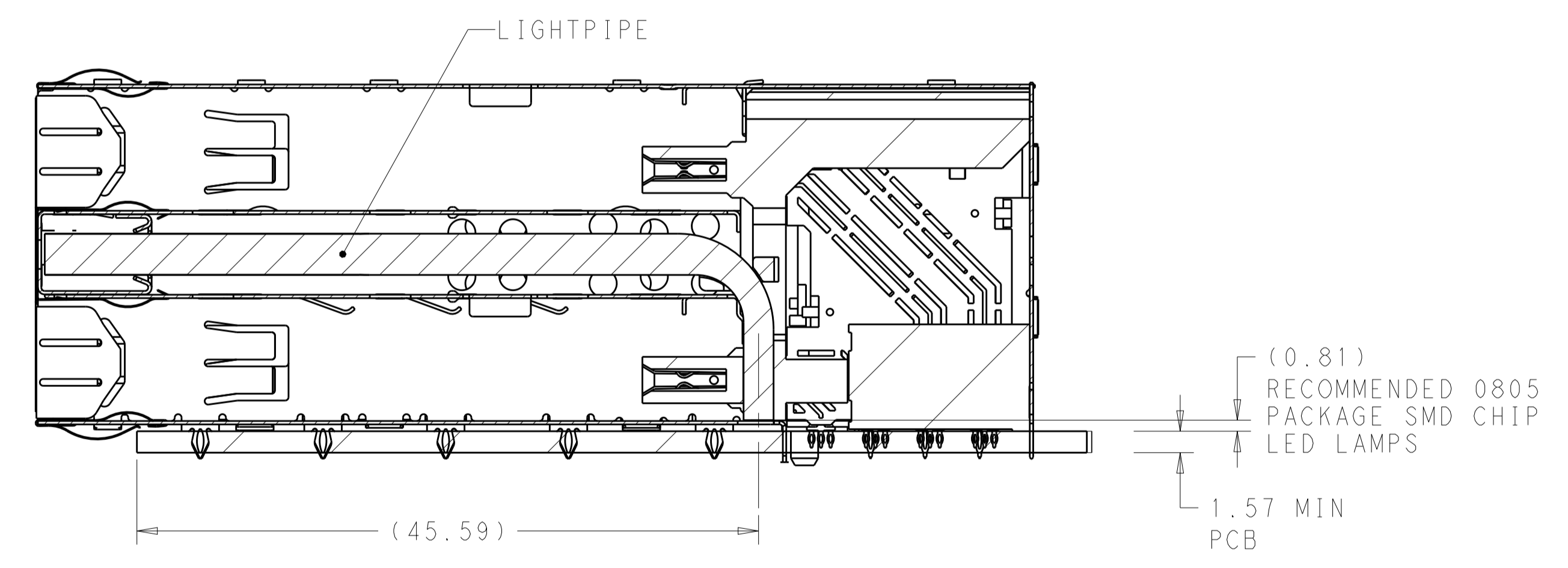
RECOMMENDED PANEL CUTOUT
 AND PC BOARD, PANEL POSITION
 SCALE 3:1



SECTION U-U



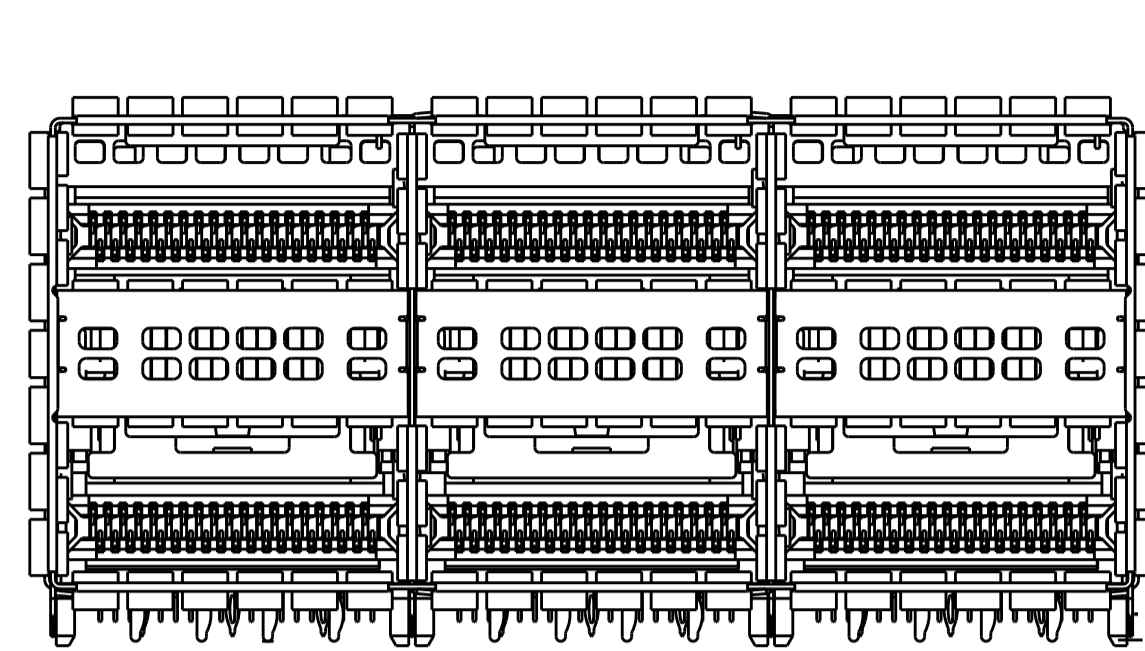
VIEW Y-Y



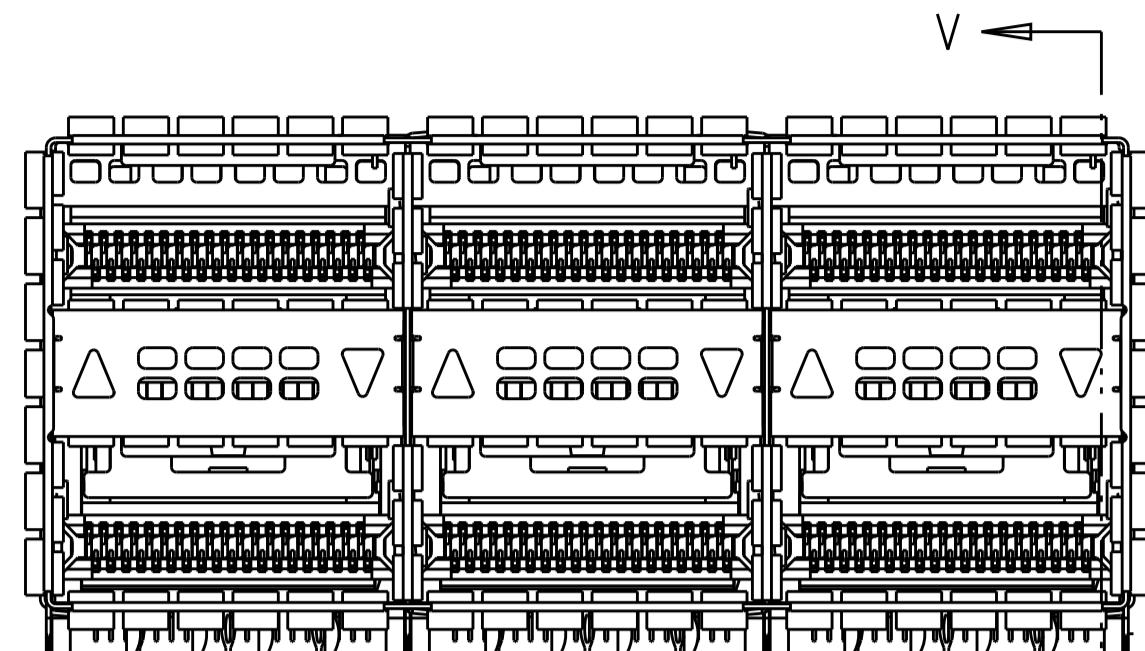
SECTION V-V
 SCALE 3:1

THIS DRAWING IS A CONTROLLED DOCUMENT.		DWN M. SHIRK 18JAN2013	TE Connectivity	
DIMENSIONS: mm		CHK D. SZCZESNY 18JAN2013		
TOLERANCES UNLESS OTHERWISE SPECIFIED:		APVD	NAME	
0 PLC ±	1 PLC ±0.25	PRODUCT SPEC	CAGE AND CONNECTOR ASSEMBLY,	
2 PLC ±0.15	3 PLC ±	108-60102	WITH EMI SPRING, THRU BEZEL, 2X3,	
4 PLC ±	ANGLES ±	APPLICATION SPEC	ZQSFP+ STACKED	
MATERIAL	FINISH	114-60015	SIZE	CAGE CODE DRAWING NO
SEE NOTE 1	SEE NOTE 2	WEIGHT	A100779	C=2227671
CUSTOMER DRAWING		SCALE	4:1	SHEET 1 OF 6
		REV	A	

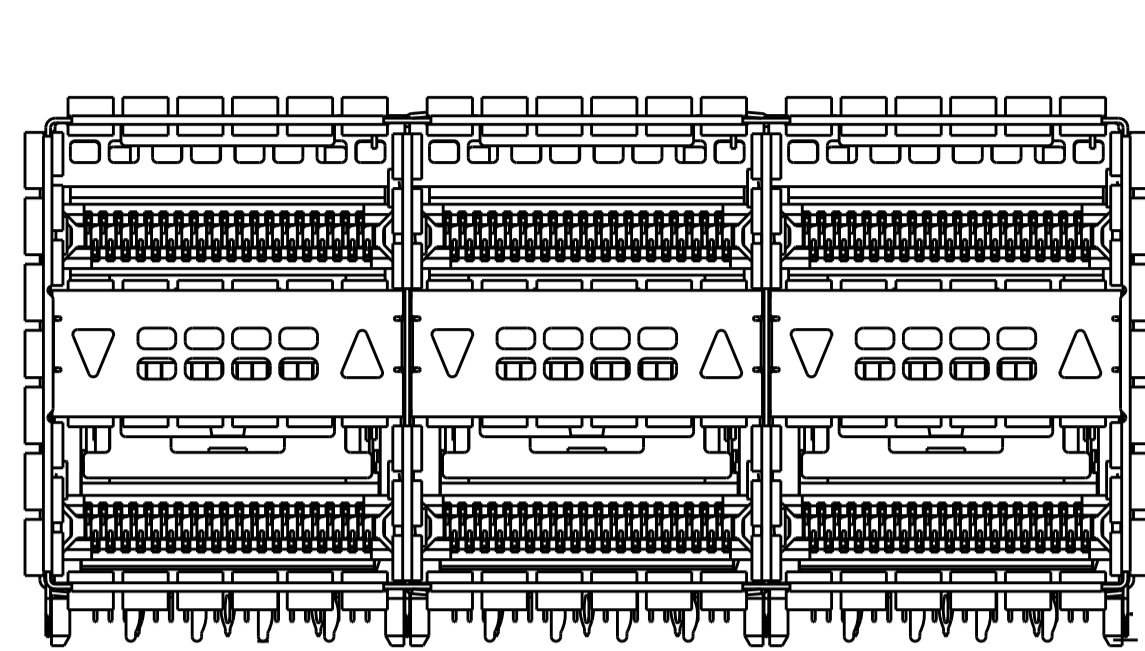
LOC	DIST	REVISIONS			
P	LTN	DESCRIPTION	DATE	OWN	APVD
-	-	SEE SHEET 1	-	-	-



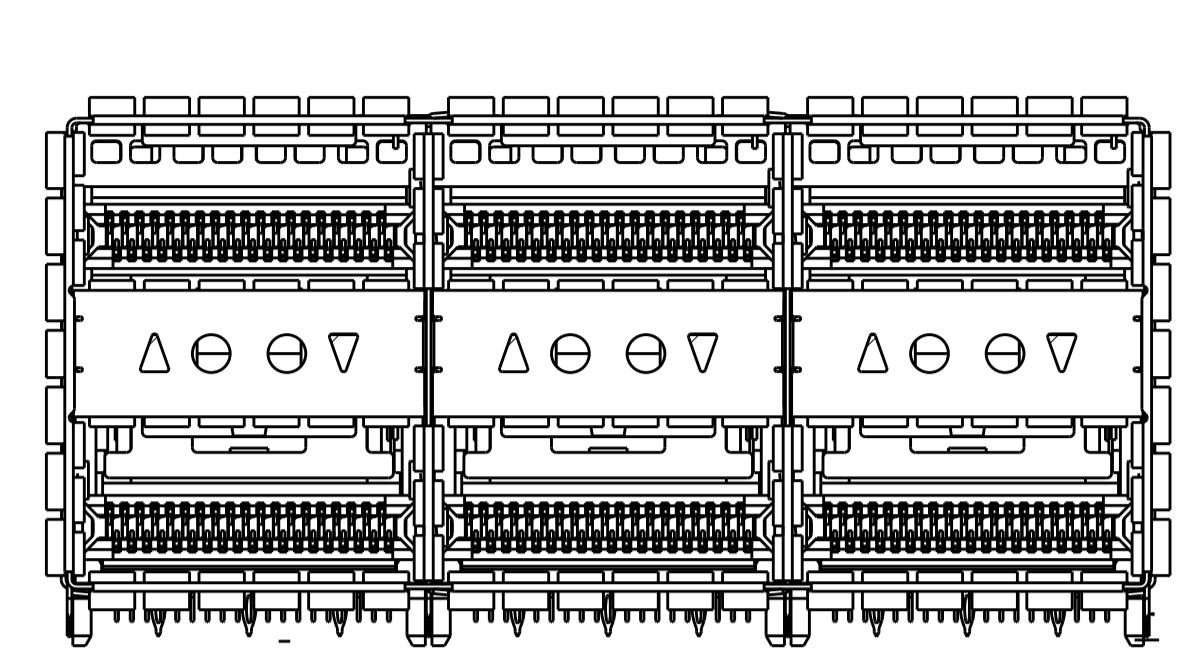
2227671-1/4
 NO LIGHTPIPE IN ASSEMBLY
 SCALE 5:2



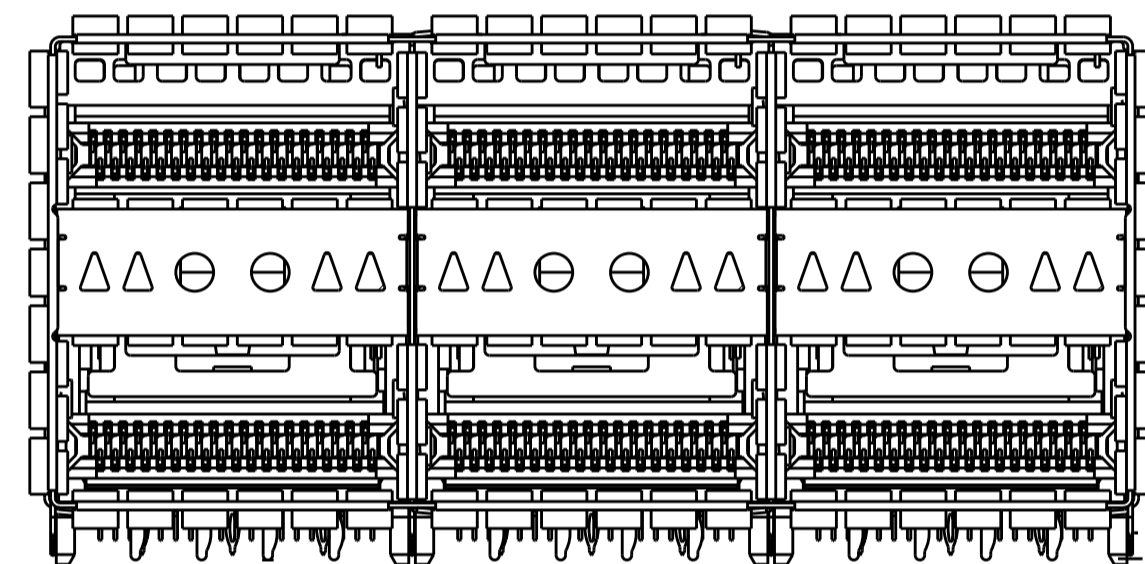
2227671-2/5
 LEFT LIGHTPIPE INDICATOR
 POINTING TO UPPER PORT
 SCALE 5:2



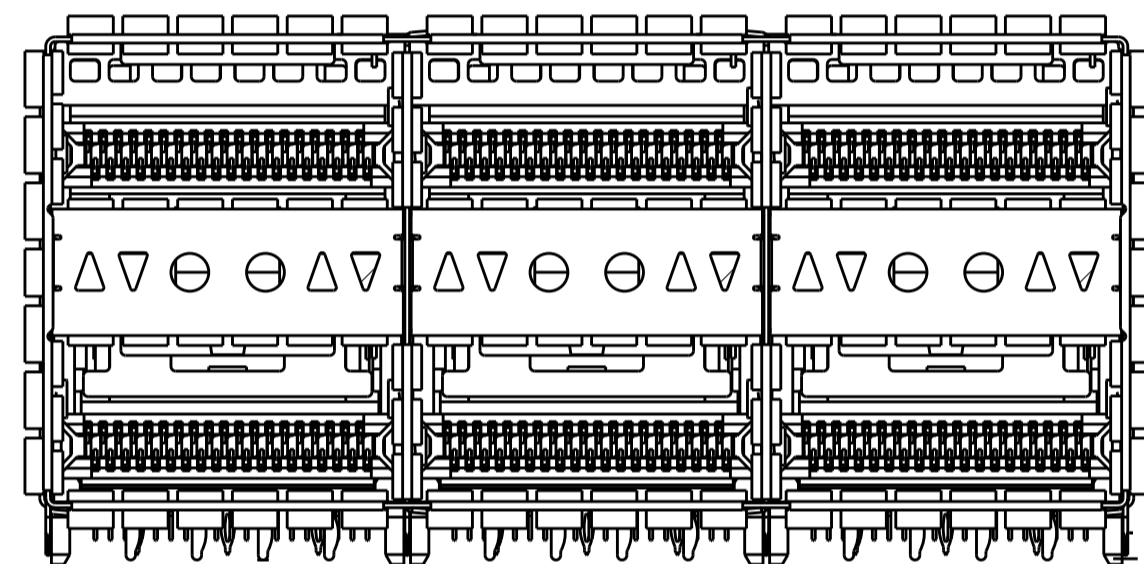
2227671-3/6
 LEFT LIGHTPIPE INDICATOR
 POINTING TO LOWER PORT
 SCALE 5:2



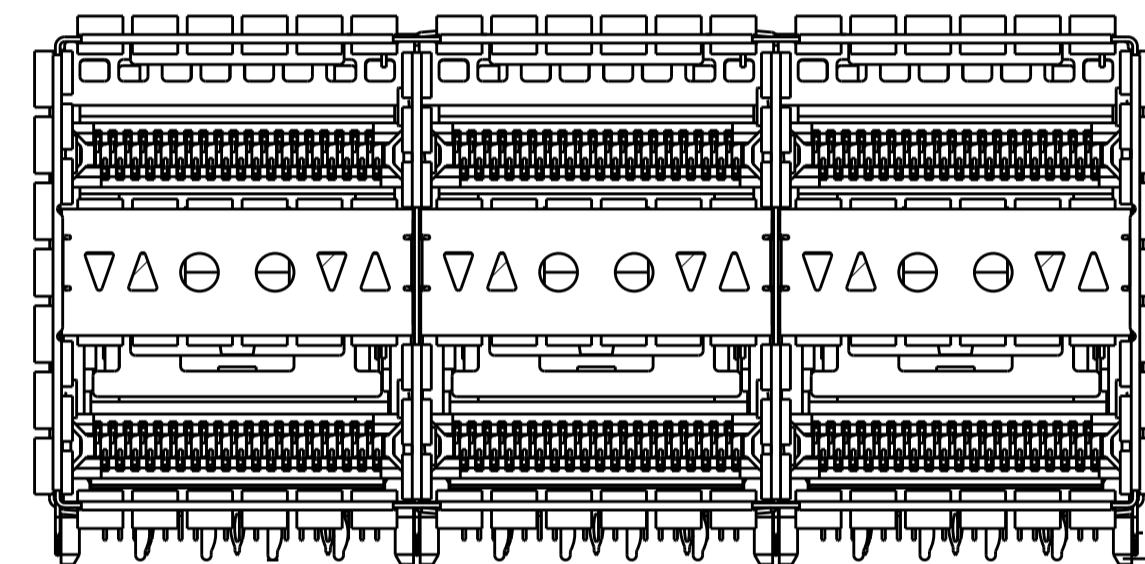
1-2227671-0
 LEFT INDICATOR UP, 2LP
 SCALE 5:2



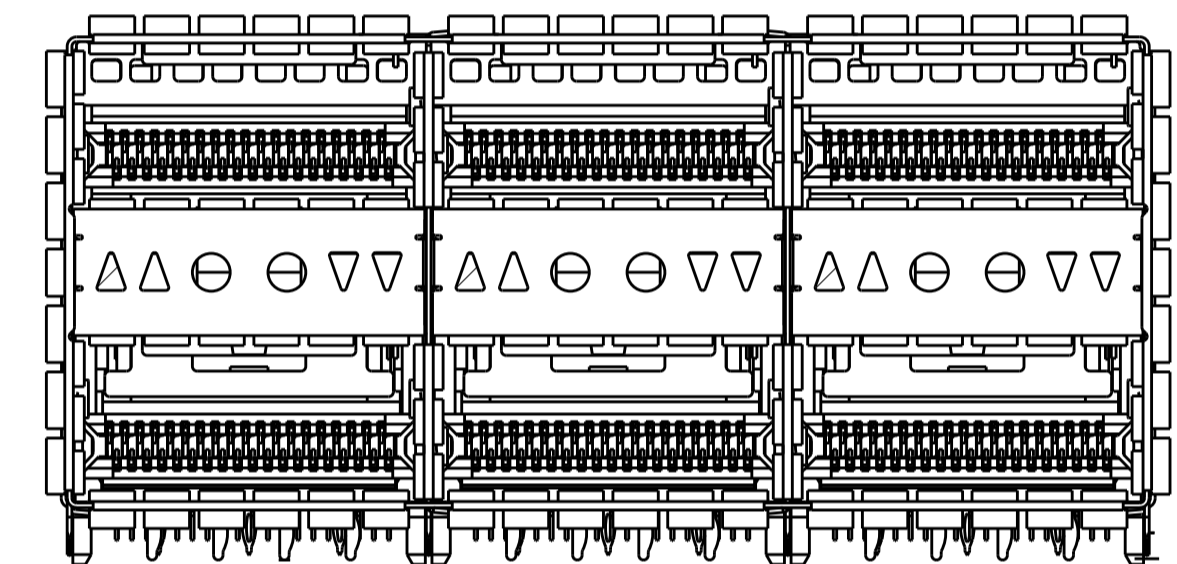
2227671-7
 ALL INDICATOR UP, 4LP
 SCALE 5:2



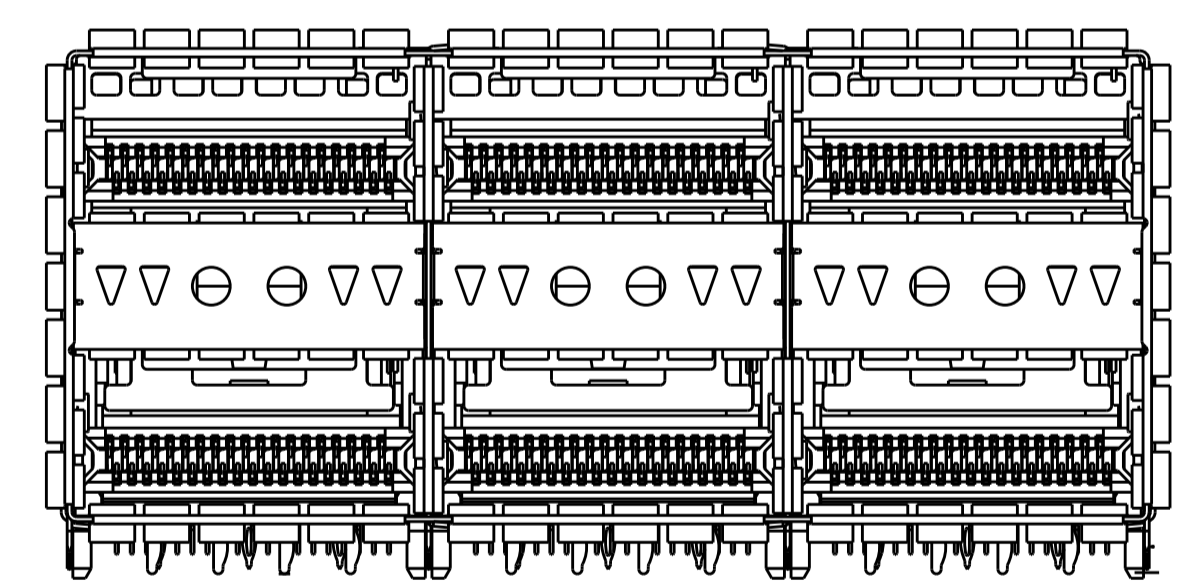
2227671-8
 LEFT INDICATOR UP, 4LP
 SCALE 5:2



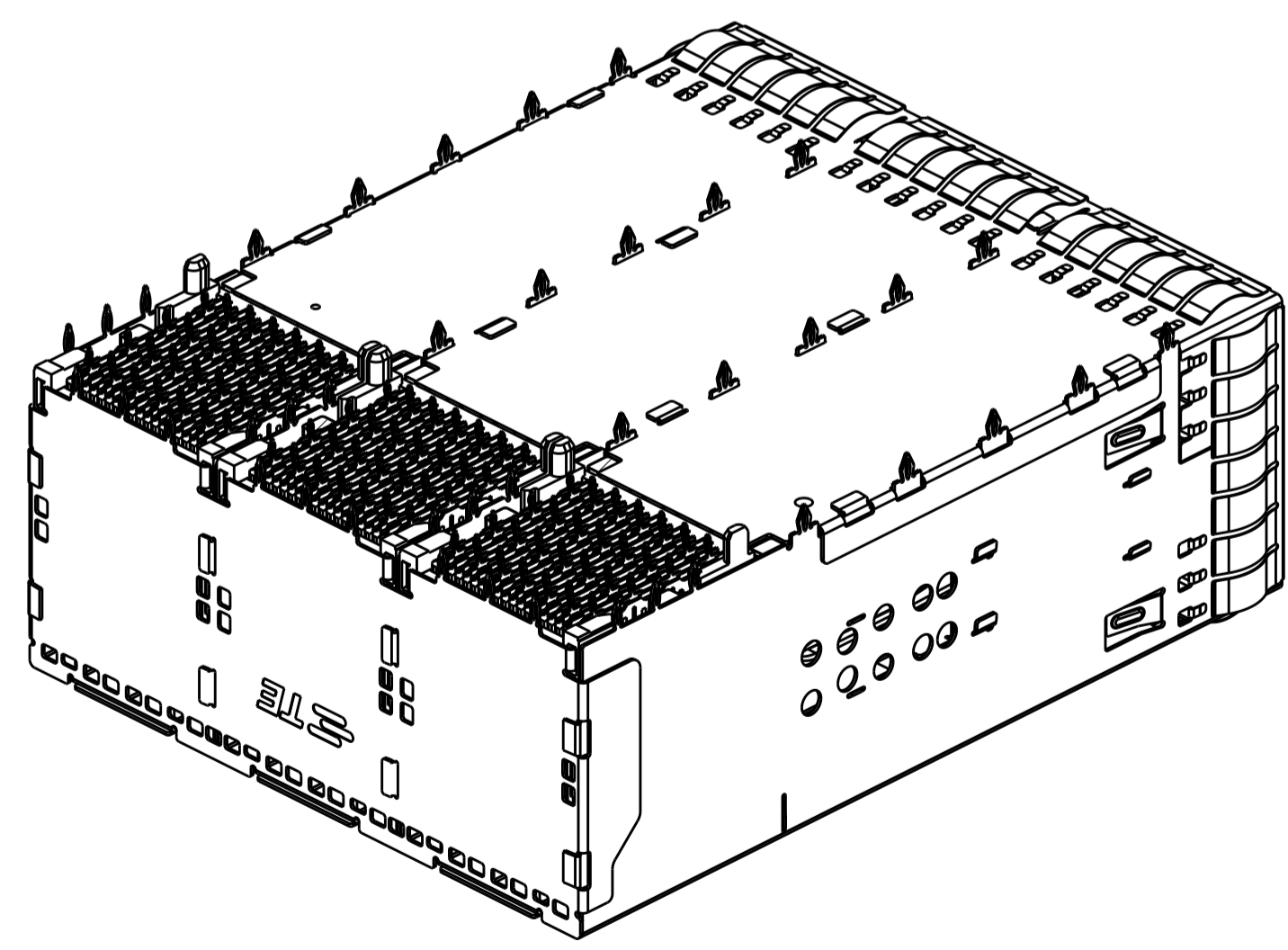
2227671-9
 LEFT INDICATOR DOWN, 4LP
 SCALE 5:2



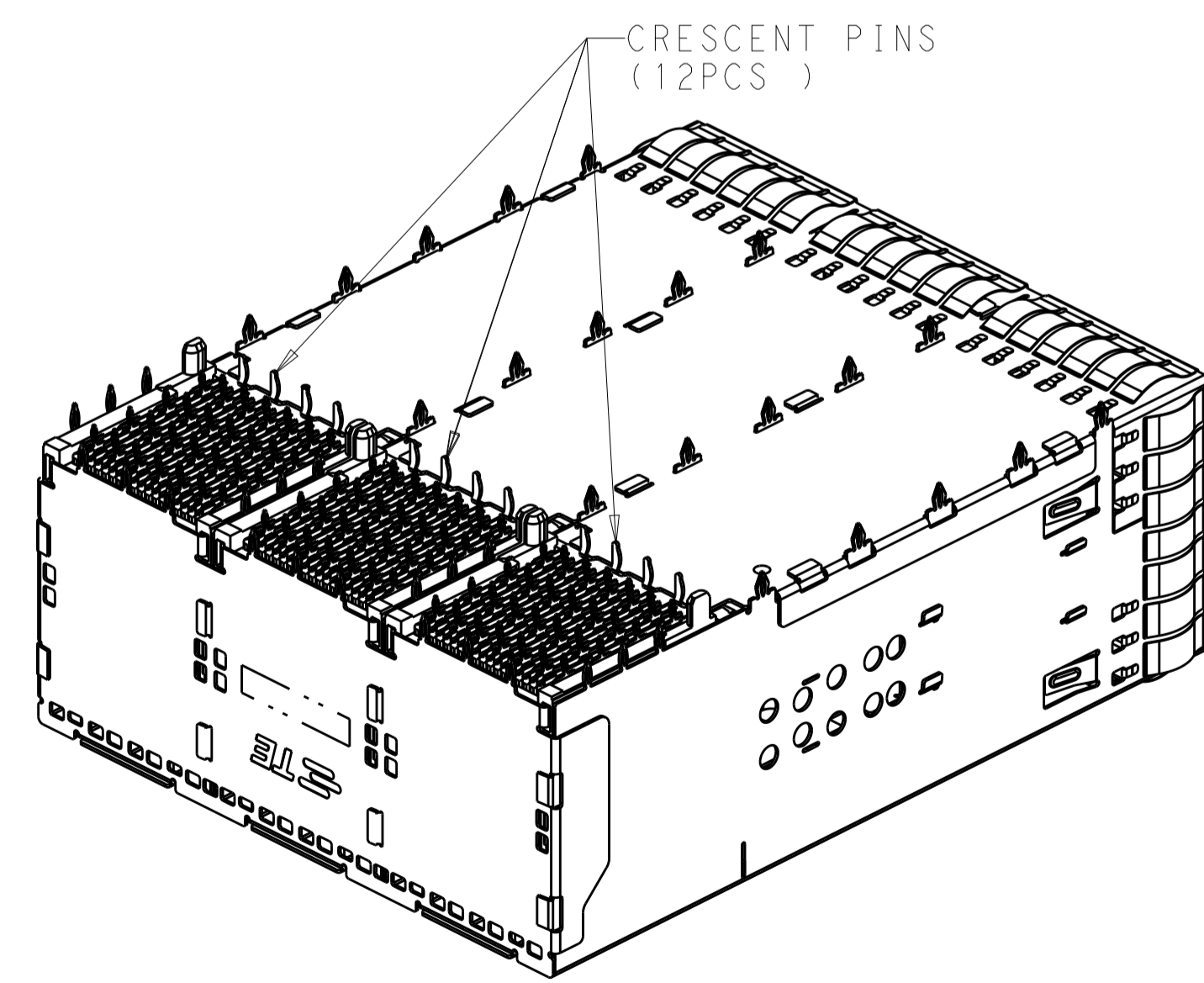
1-2227671-1
 DUAL LEFT INDICATOR UP, 4 LP
 SCALE 5:2



1-2227671-2
 ALL INDICATOR DOWN, 4 LP
 SCALE 5:2



ONLY 1-2227671-0 AS SHOWN WITHOUT CRESCENT PINS
 SCALE 2:1

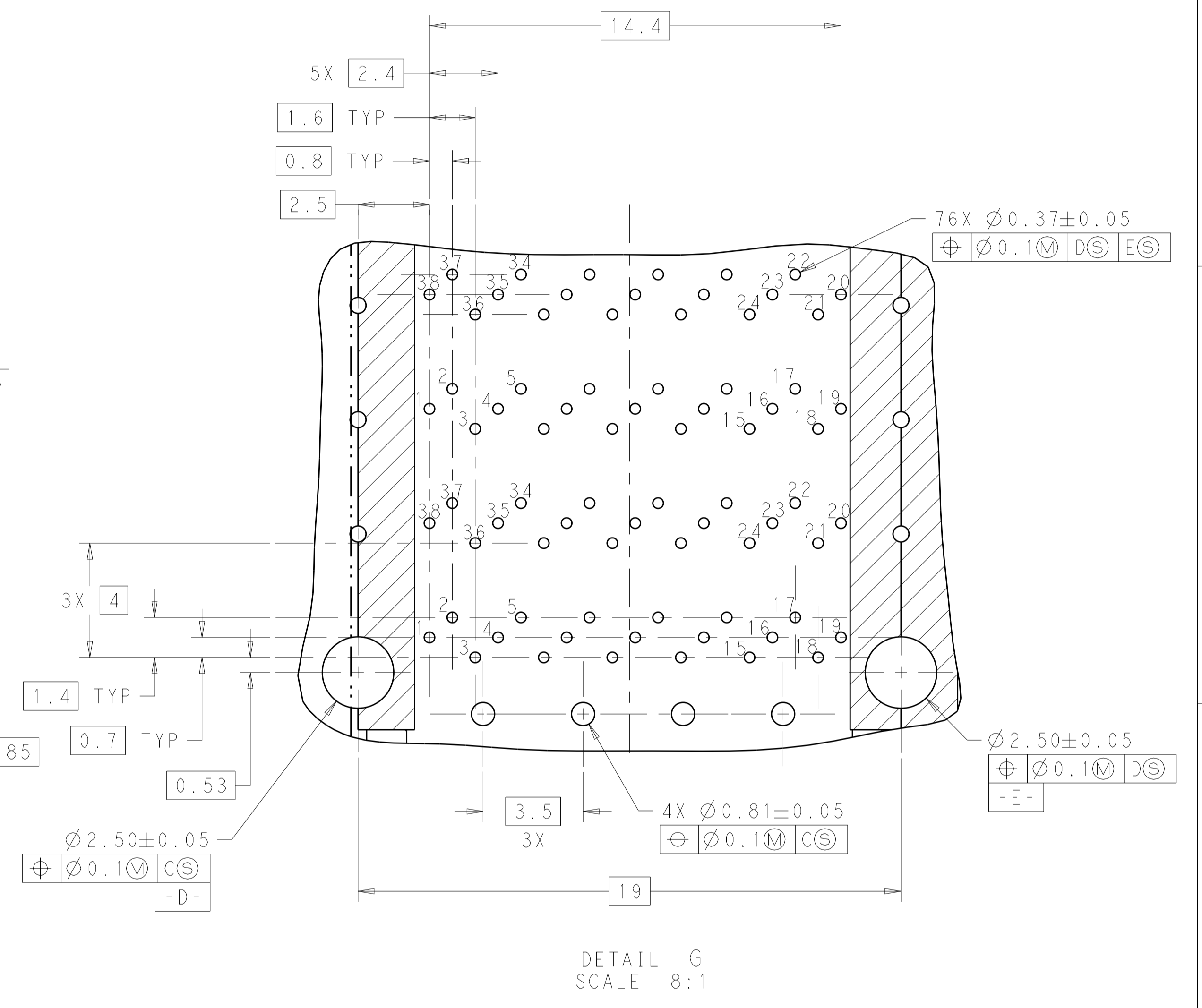
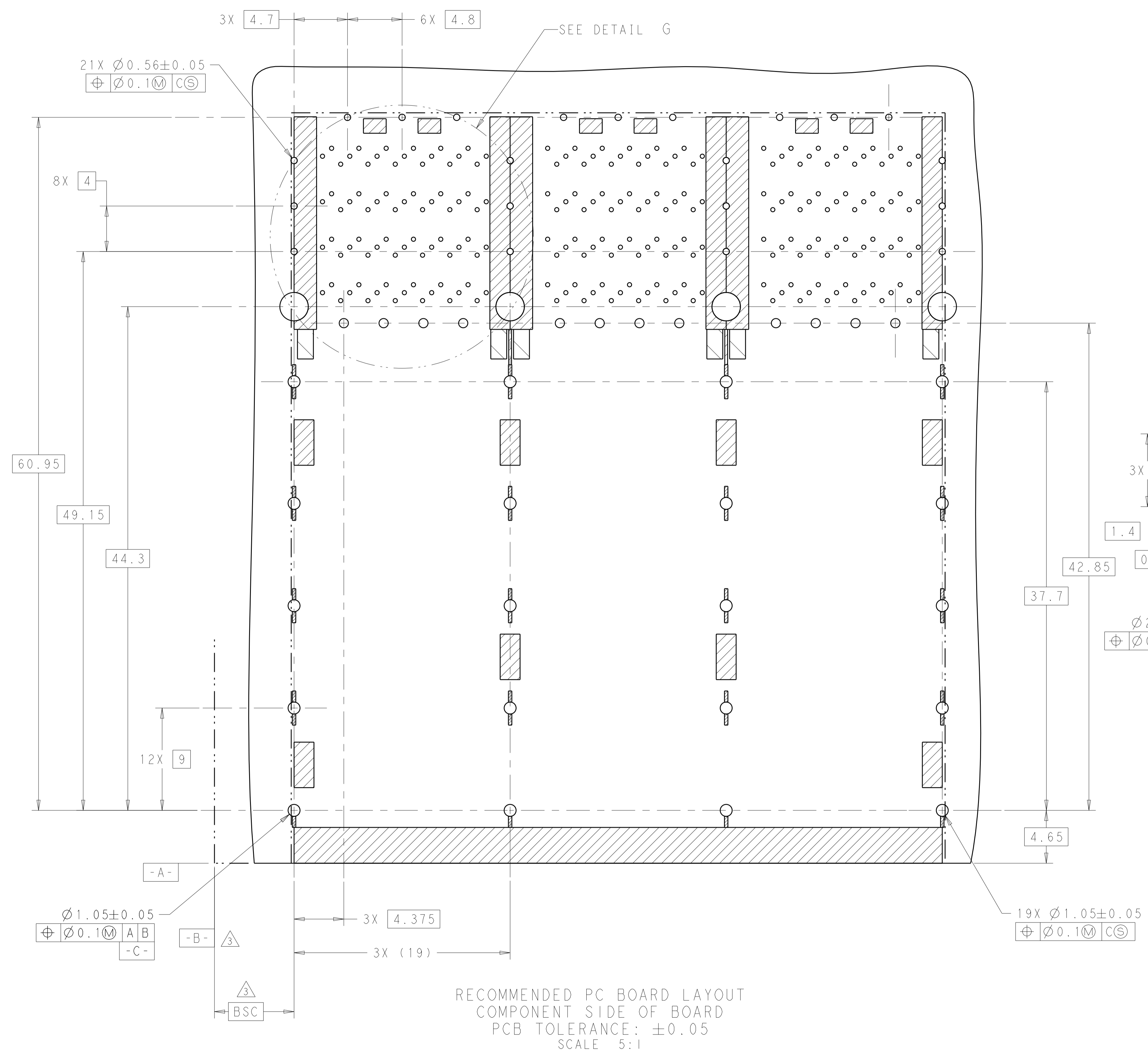


2227671-1 TO 2227671-9, 1-2227671-1
 AND 1-2227671-2 AS SHOWN WITH CRESCENT PINS
 SCALE 2:1

CRESCENT PINS
 (12PCS)

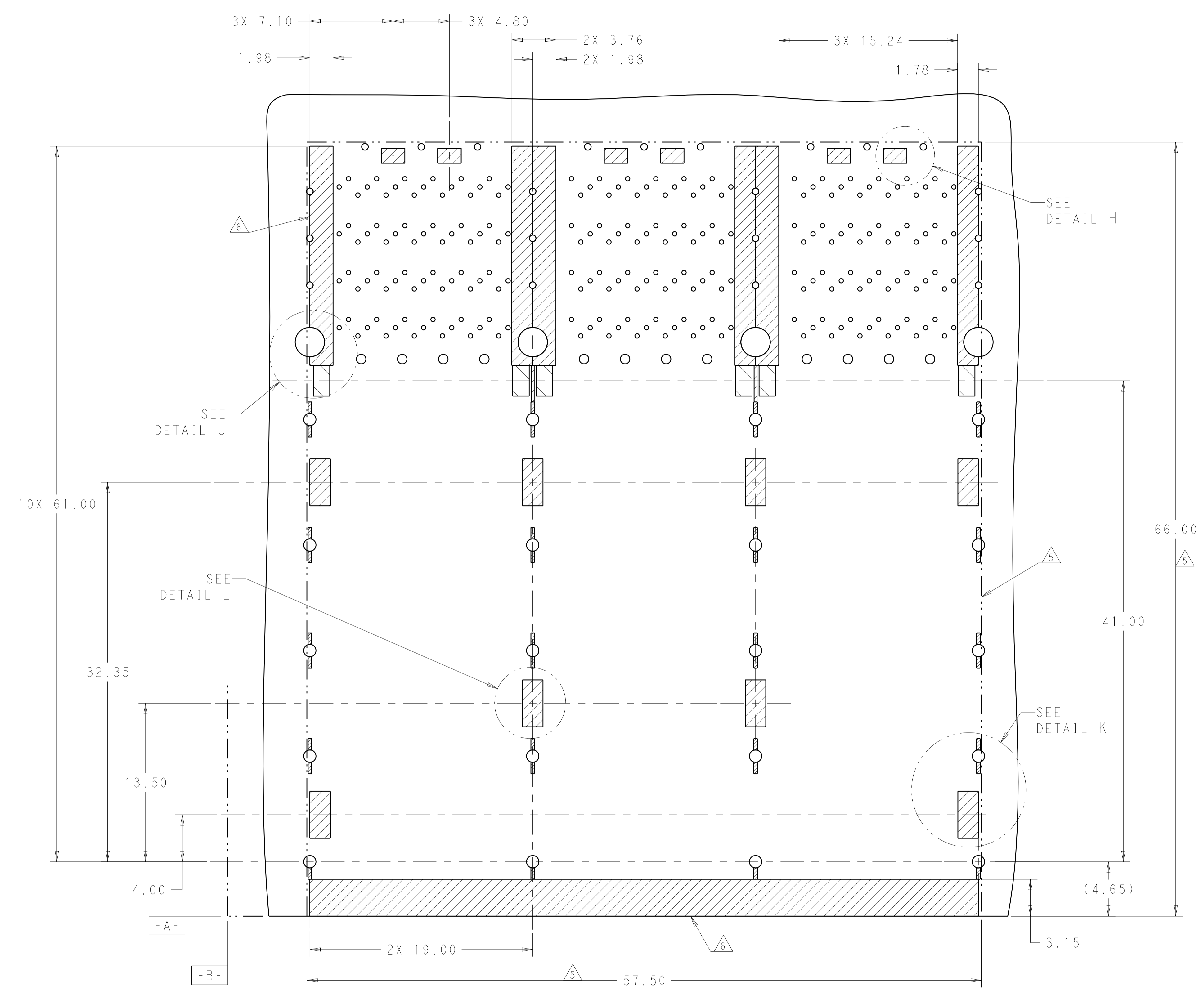
THIS DRAWING IS A CONTROLLED DOCUMENT.		OWN: M. SHIRK 18JAN2013	TE Connectivity
DIMENSIONS: mm		CHK: D. SZCZESNY 18JAN2013	
TOLERANCES UNLESS OTHERWISE SPECIFIED:		APVD:	NAME: CAGE AND CONNECTOR ASSEMBLY, WITH EMI SPRING, THRU BEZEL, 2X3, ZQSFP+ STACKED
0 PLC ±		PRODUCT SPEC: 108-60102	SIZE: CAGE CODE DRAWING NO. RESTRICTED TO
1 PLC ±0.25		APPLICATION SPEC: 114-60015	A100779C=2227671
2 PLC ±0.15		WEIGHT:	SCALE 4:1 SHEET 1 OF 6 REV A
3 PLC ±		FINISH:	CUSTOMER DRAWING
4 PLC ±		SEE NOTE 1	SEE NOTE 2
ANGLES ±			

LOC	DIST	REVISIONS			
P.	LTH	DESCRIPTION	DATE	OWN	APVD
-	-	SEE SHEET 1	-	-	-

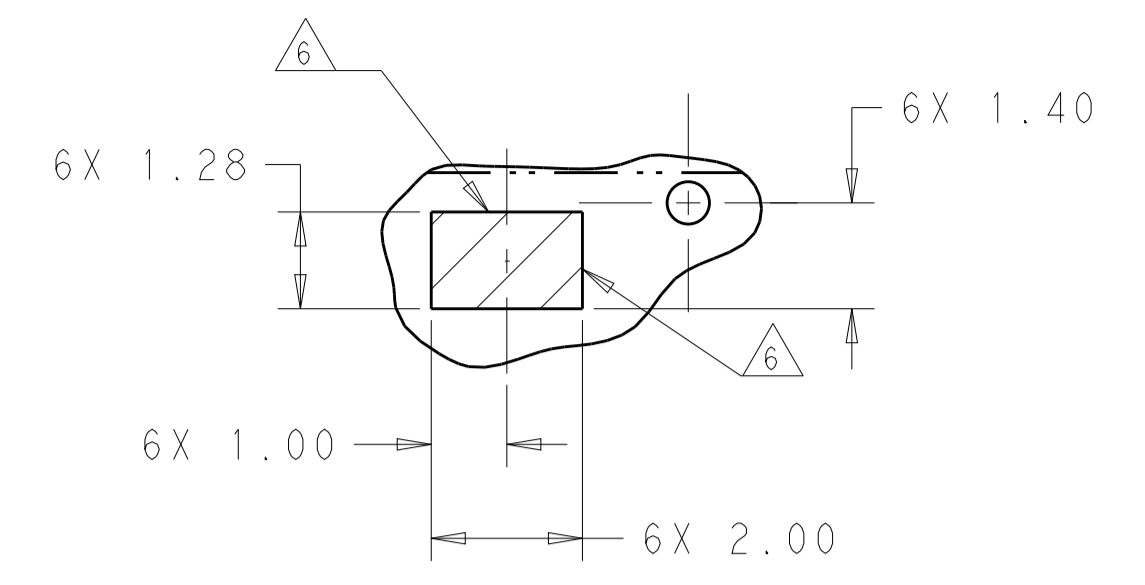


THIS DRAWING IS A CONTROLLED DOCUMENT.		OWN M. SHIRK 18JAN2013	TE Connectivity
DIMENSIONS: mm		CHK D. SZCZESNY 18JAN2013	
TOLERANCES UNLESS OTHERWISE SPECIFIED:		APVD	NAME
0 PLC \pm	1 PLC ± 0.25	PRODUCT SPEC	CAGE AND CONNECTOR ASSEMBLY,
2 PLC ± 0.15	3 PLC \pm	108-60102	WITH EMI SPRING, THRU BEZEL, 2X3,
4 PLC \pm	ANGLES \pm	APPLICATION SPEC	ZQSFP+ STACKED
MATERIAL	FINISH	114-60015	SIZE CAGE CODE DRAWING NO
SEE NOTE 1	SEE NOTE 2	WEIGHT	A100779C=2227671
CUSTOMER DRAWING		SCALE 4:1	SHEET 1 OF 6 REV A

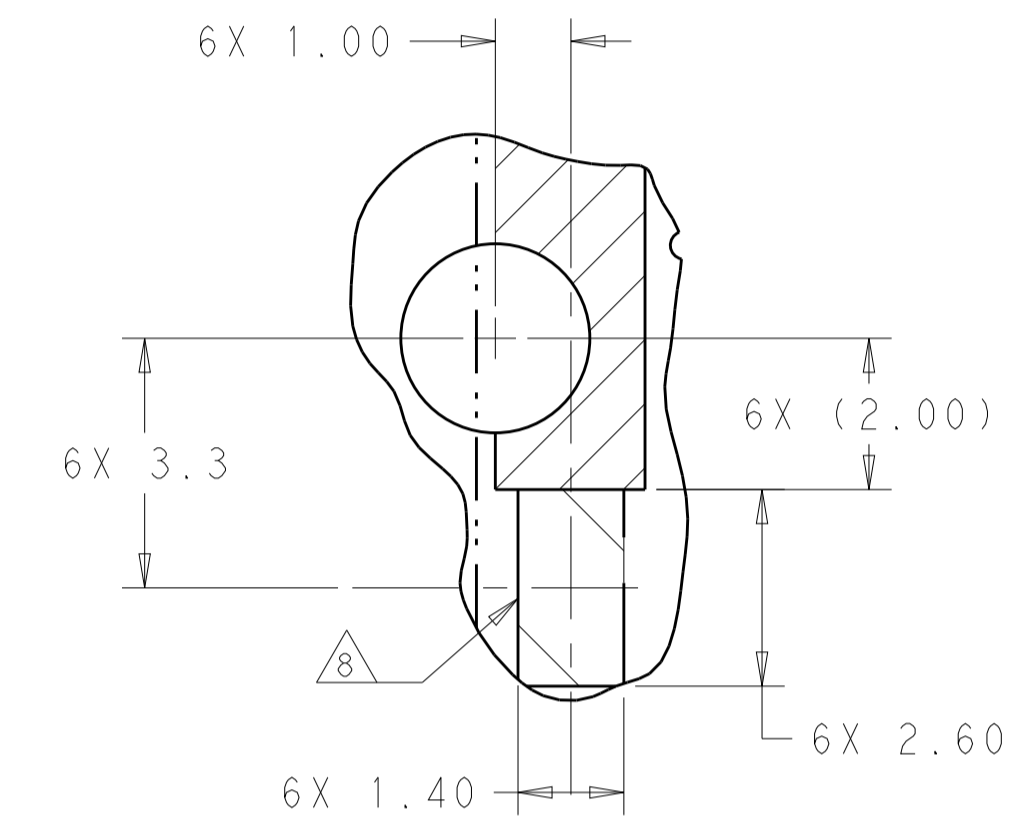
LOC		DIST		REVISIONS			
P.	LTN	DESCRIPTION	DATE	DMN	APVD		
-	-	SEE SHEET 1	-	-	-		



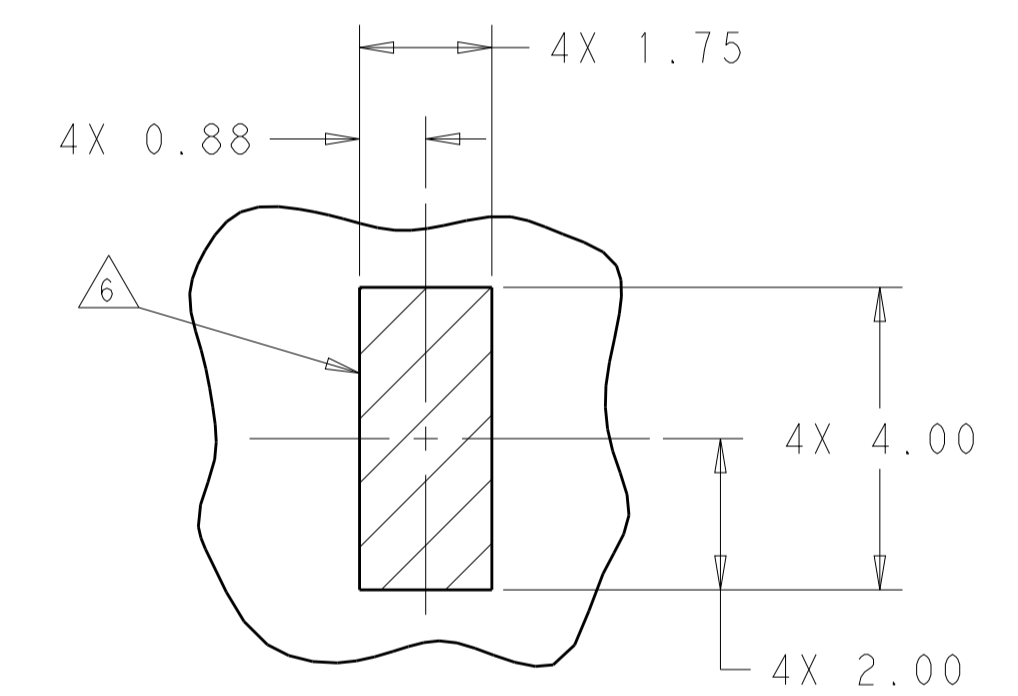
KEEPOUT AREAS COMPONENT
 SIDE OF BOARD FOR 2 LP
 SCALE 5:1



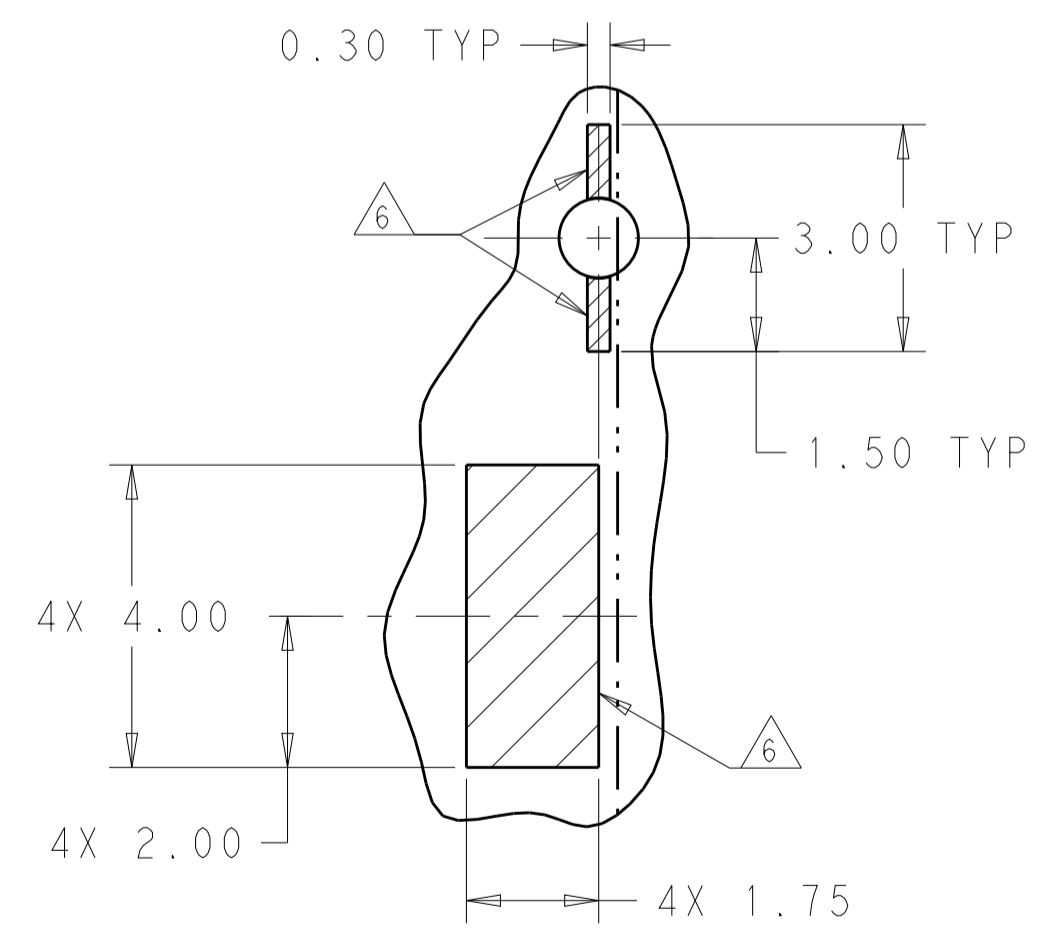
DETAIL H
 SCALE 10:1



DETAIL J
 LED PADS
 SCALE 10:1



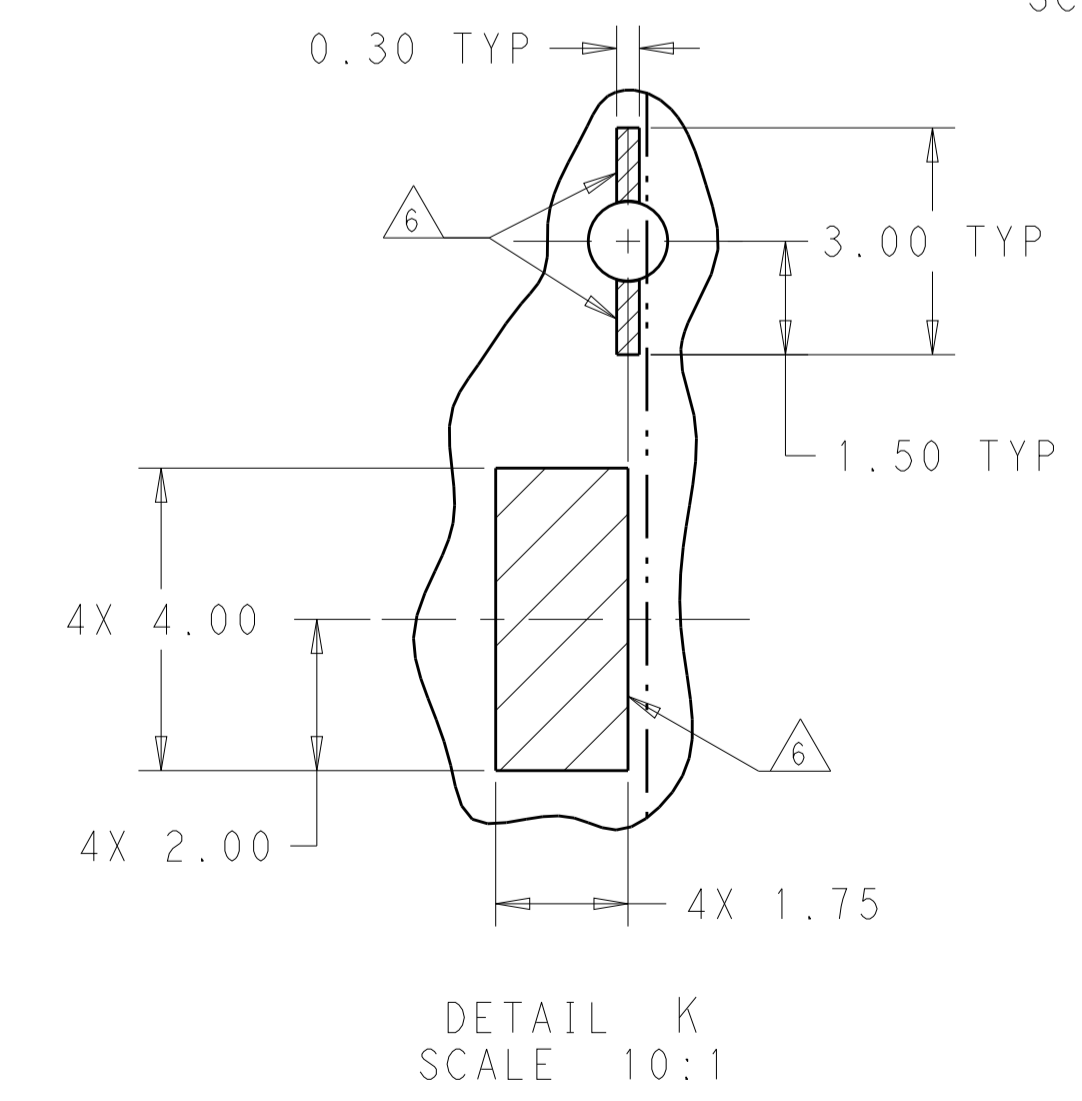
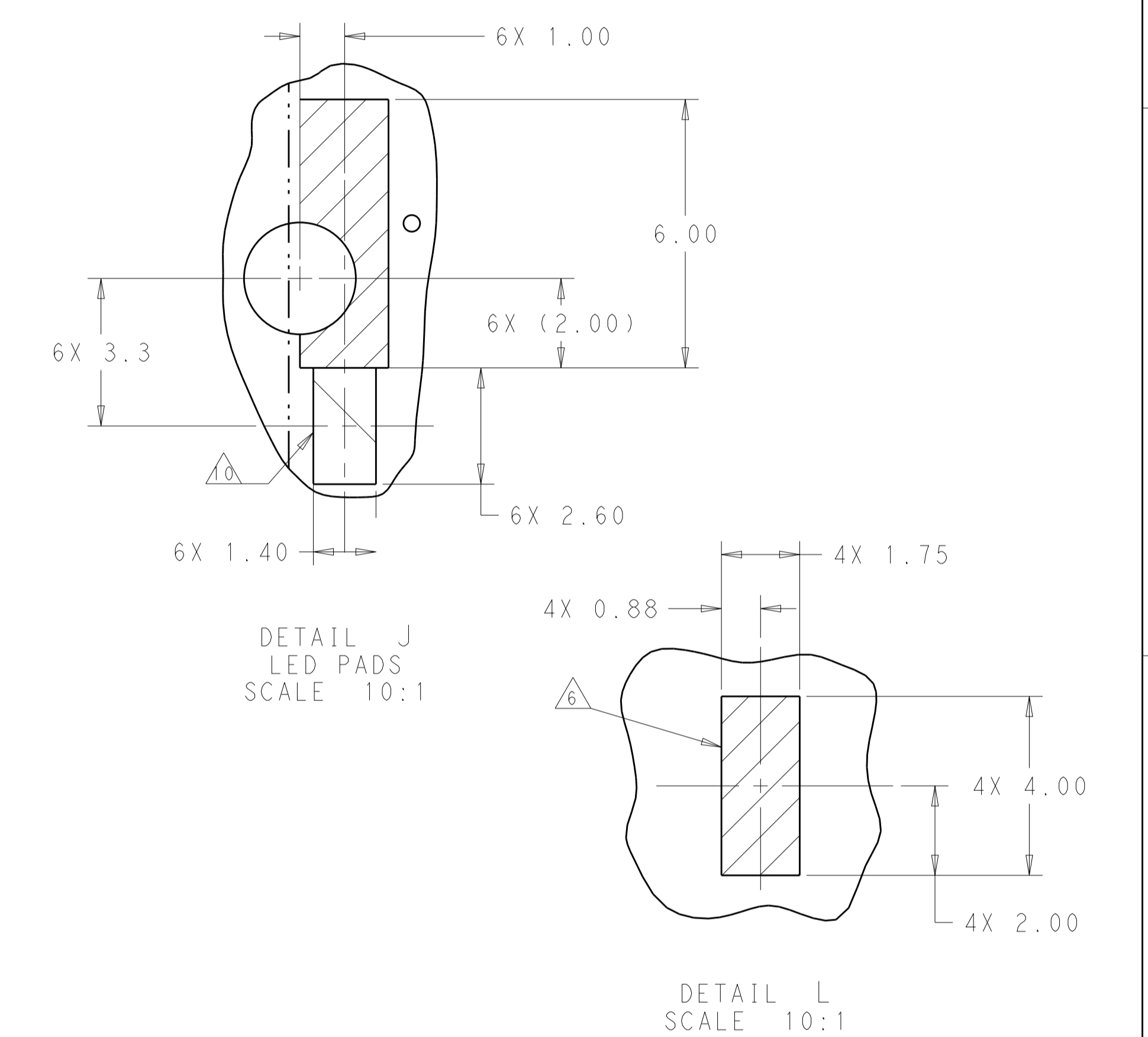
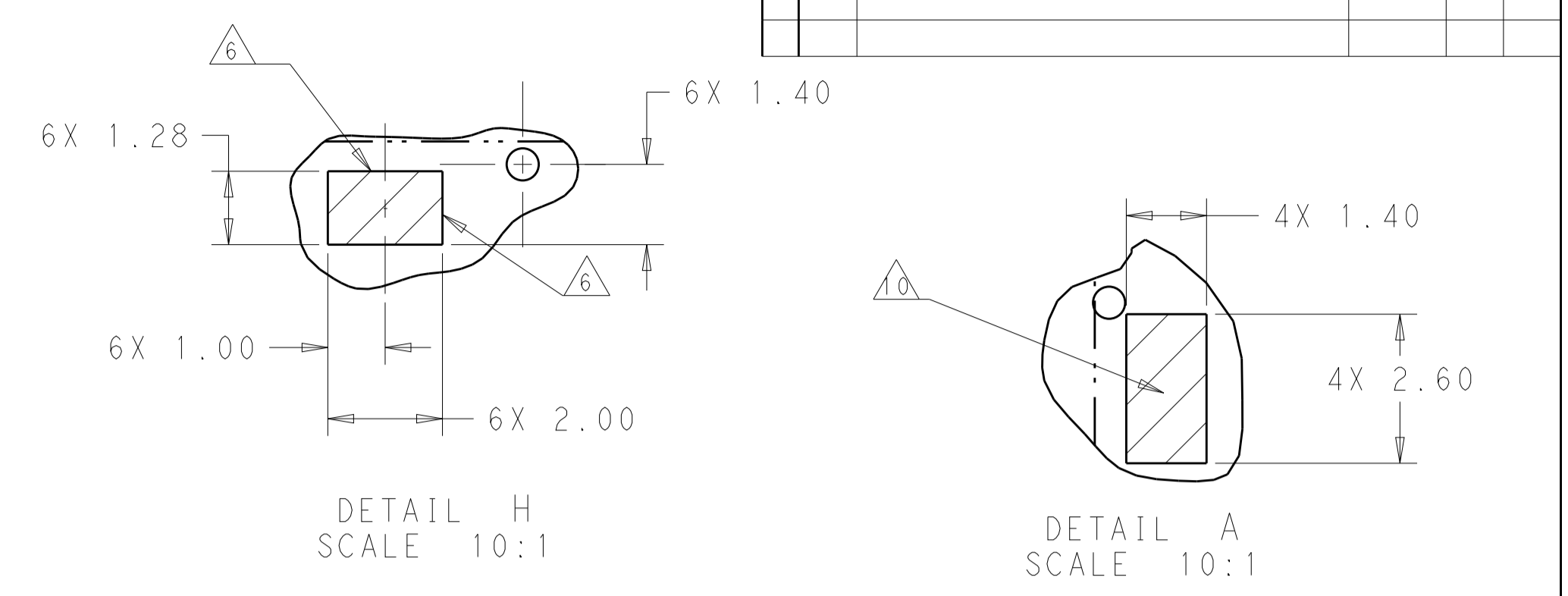
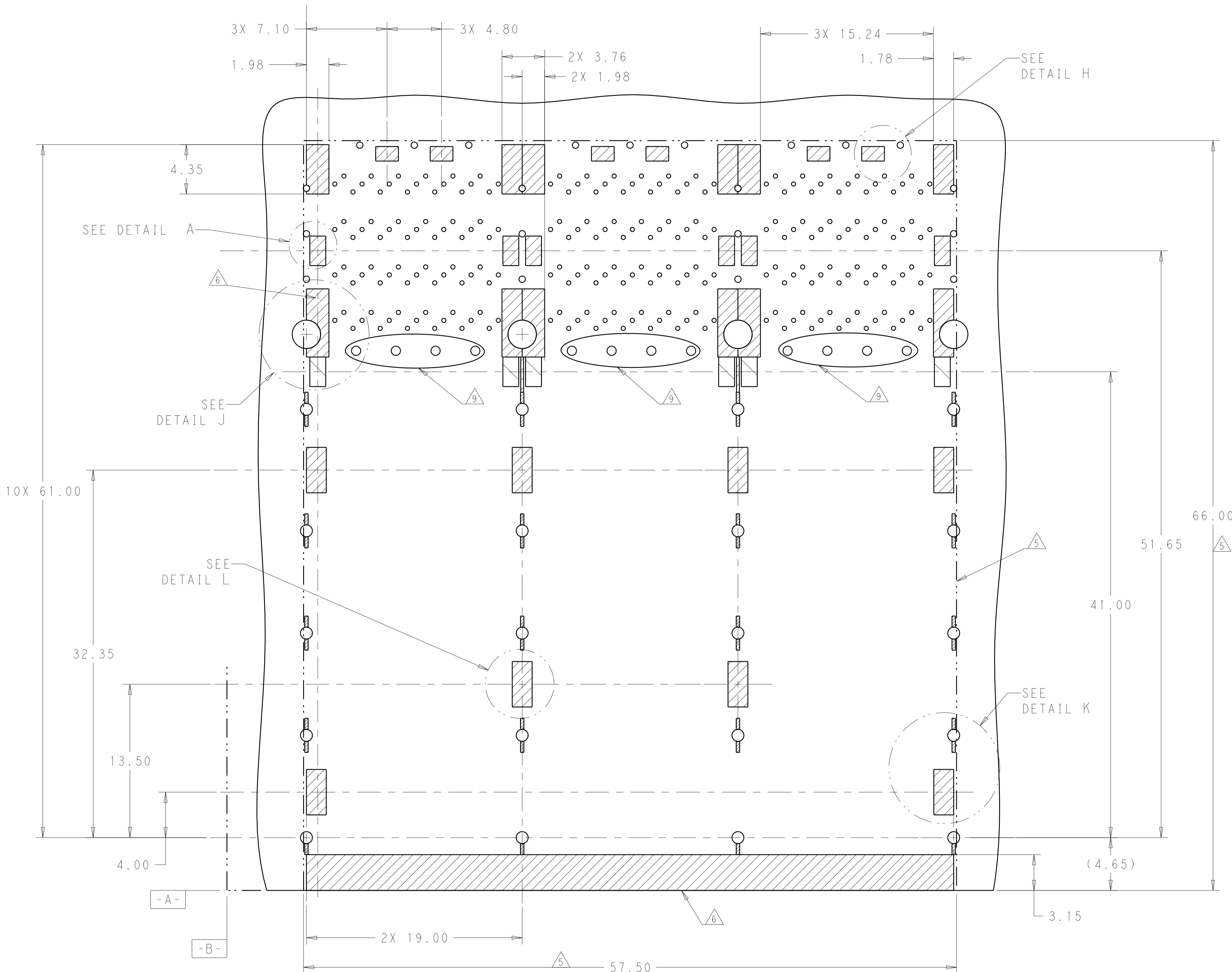
DETAIL L
 SCALE 10:1



DETAIL K
 SCALE 10:1

THIS DRAWING IS A CONTROLLED DOCUMENT.		DMN M. SHIRK 18JAN2013	CHK D. SZCZESNY 18JAN2013	TE Connectivity	
DIMENSIONS:	TOLERANCES UNLESS OTHERWISE SPECIFIED:	APVD		NAME	
mm	0 PLC ±0.25 2 PLC ±0.15 3 PLC ±0.15 4 PLC ±0.15 ANGLES ±0.15	PRODUCT SPEC 108-60102		CAGE AND CONNECTOR ASSEMBLY, WITH EMI SPRING, THRU BEZEL, 2X3, ZQSP+ STACKED	
MATERIAL	FINISH	APPLICATION SPEC 114-60015		SIZE CAGE CODE DRAWING NO A100779C=2227671	
SEE NOTE 1	SEE NOTE 2	WEIGHT		RESTRICTED TO	
CUSTOMER DRAWING		SCALE 4:1		SHEET 1 OF 6 REV A	

LOC	DIST	REVISIONS			
P	LTN	DESCRIPTION	DATE	DMN	APVD
-	-	SEE SHEET 1	-	-	-



KEEPOUT AREAS COMPONENT
 SIDE OF BOARD FOR 4 LP
 SCALE 5:1

THIS DRAWING IS A CONTROLLED DOCUMENT.		DMN M. SHIRK 18JAN2013	18JAN2013	STE TE Connectivity
DIMENSIONS: mm		CHK D. SZCZESNY 18JAN2013	APVD	
TOLERANCES UNLESS OTHERWISE SPECIFIED:		PRODUCT SPEC		NAME CAGE AND CONNECTOR ASSEMBLY, WITH EMI SPRING, THRU BEZEL, 2X3, ZQSFP+ STACKED
0 PLC ±		108-60102		
1 PLC ±0.25		APPLICATION SPEC		RESTRICTED TO
2 PLC ±0.15		114-60015		
3 PLC ±		WEIGHT		SCALE 4:1 SHEET 1 OF 6 REV A
4 PLC ±		CUSTOMER DRAWING		
ANGLES ±		SIZE CAGE CODE DRAWING NO		
FINISH		A100779C=2227671		

单击下面可查看定价，库存，交付和生命周期等信息

[>>TE Connectivity\(泰科\)](#)