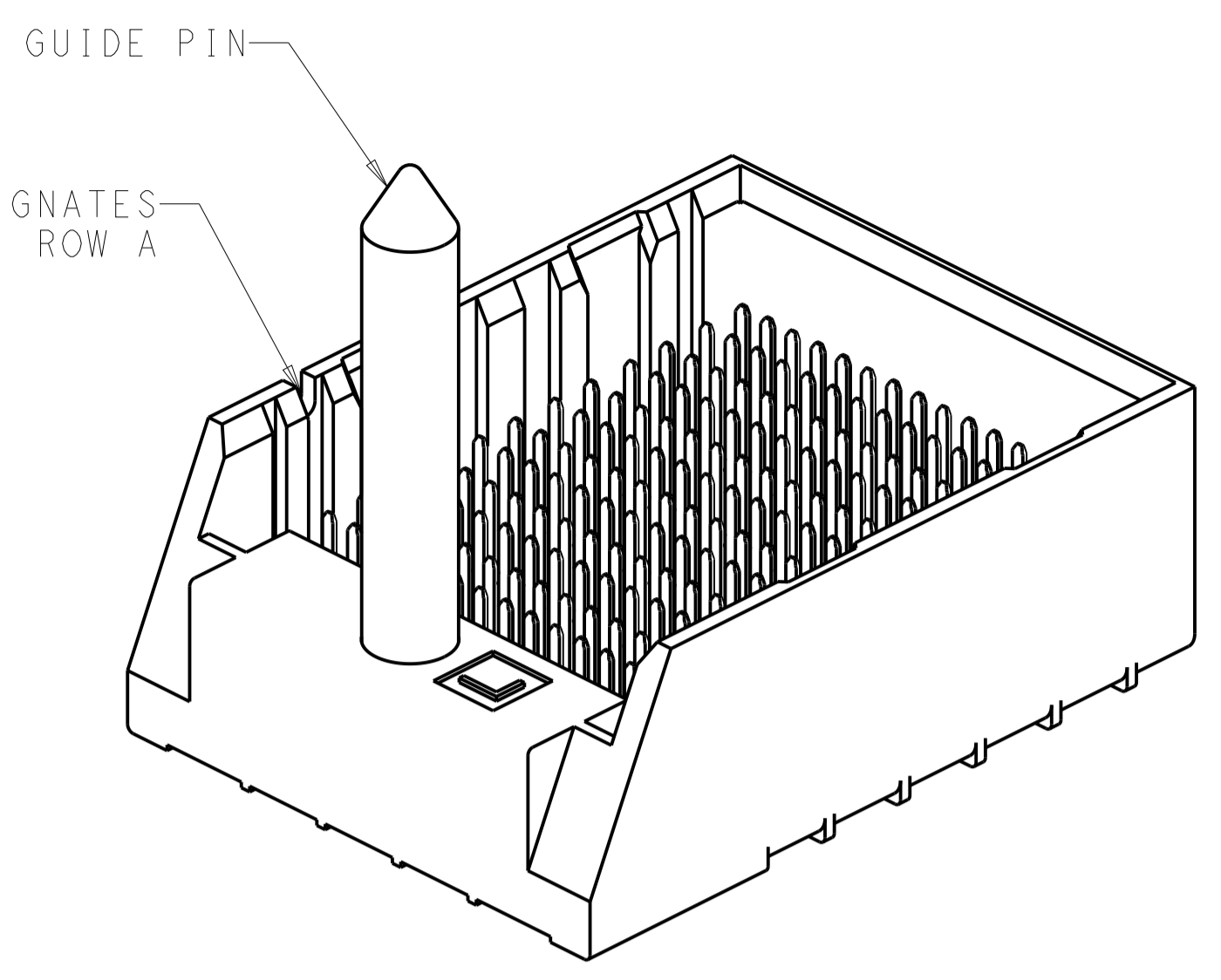
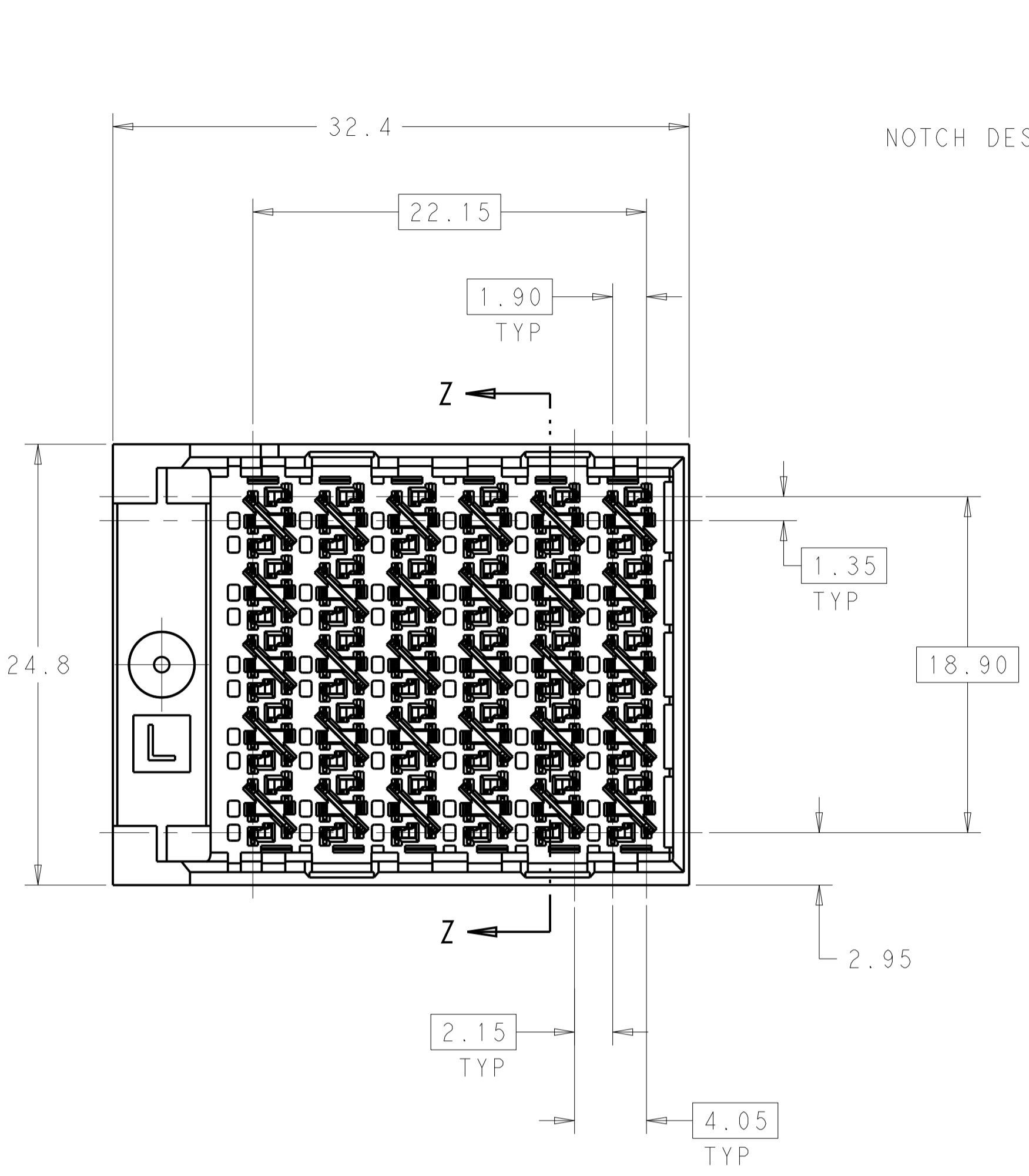


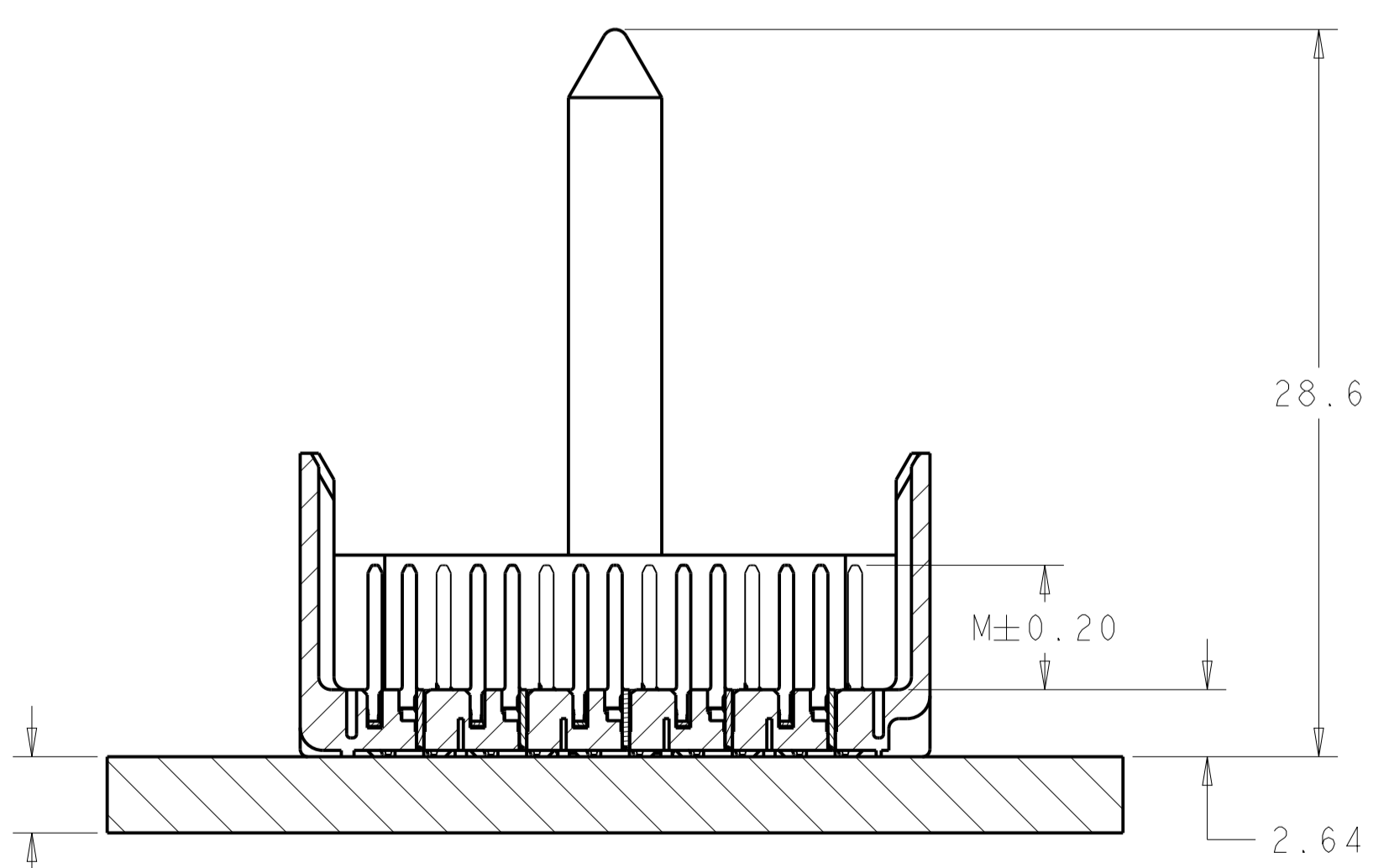
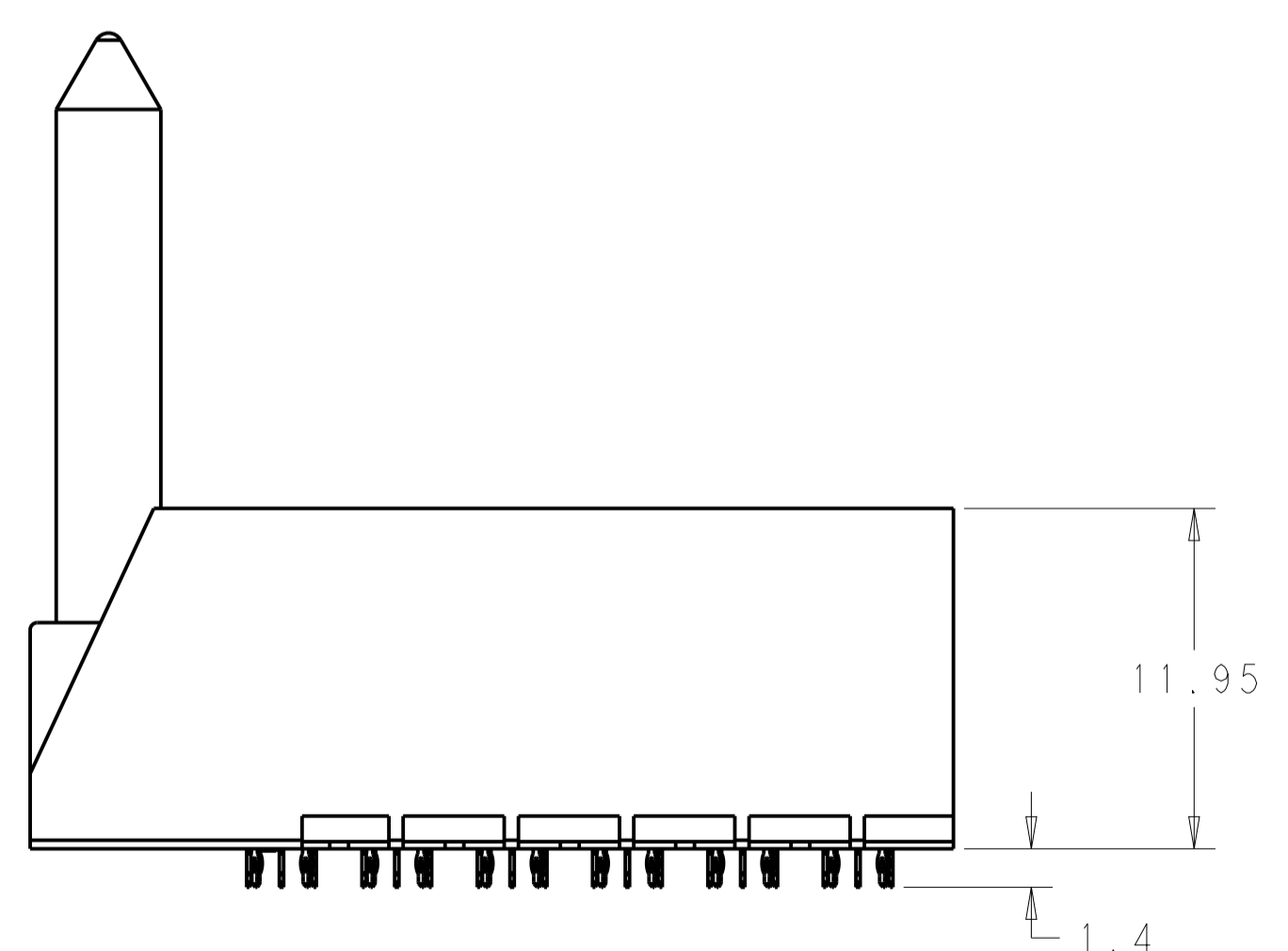
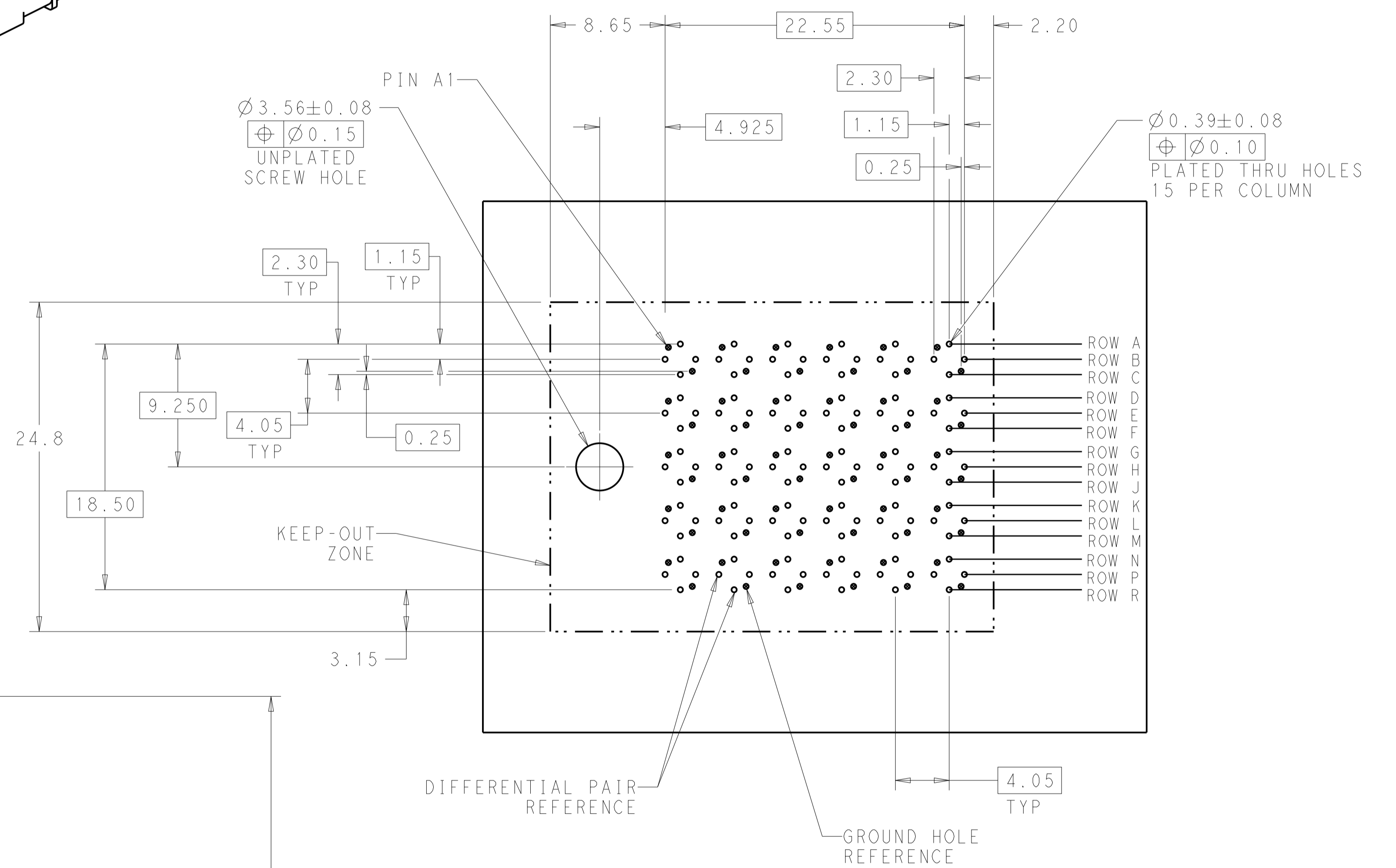
REVISIONS				
P.	LTN.	DESCRIPTION	DATE	OWN APVD
B		REVISED PER ECO-14-013272	09SEP2014	AP DD



△ MATERIAL:
HOUSING: LCP GLASS FILLED UL94V-0
TERMINALS: HIGH PERFORMANCE COPPER ALLOY

△ FINISH:
30µ" MIN GOLD IN CONTACT AREA
SELECTIVE TIN ON PCB TAILS.
NICKEL OVERALL.

3. SCREWS PACKAGED IN THE END OF PACKAGING TUBE.



3.00 MIN BOARD THICKNESS

LEFT GUIDED BACKPLANE HOLE PATTERN (CONNECTOR SIDE) SCALE 4:1

△	5.5	2143570-2
△	4.9	2143570-1
FINISH	DIM M	PART NUMBER

THIS DRAWING IS A CONTROLLED DOCUMENT.		OWN J. K. SHOBER 18AUG2010	NAME
DIMENSIONS: mm		CHK J. EARY 18AUG2010	PRODUCT SPEC
TOLERANCES UNLESS OTHERWISE SPECIFIED:		APVD J. EARY 18AUG2010	APPLICATION SPEC
0 PLC	±		SIZE CAGE CODE DRAWING NO
1 PLC	±0.25		RESTRICTED TO
2 PLC	±0.13		
3 PLC	±		
4 PLC	±		
ANGLES	±0		
MATERIAL	SEE TABLE	WEIGHT	A100779C=2143570
FINISH	SEE TABLE	CUSTOMER DRAWING	SCALE 4:1 SHEET 1 OF 1 REV B

单击下面可查看定价，库存，交付和生命周期等信息

[>>TE Connectivity\(泰科\)](#)