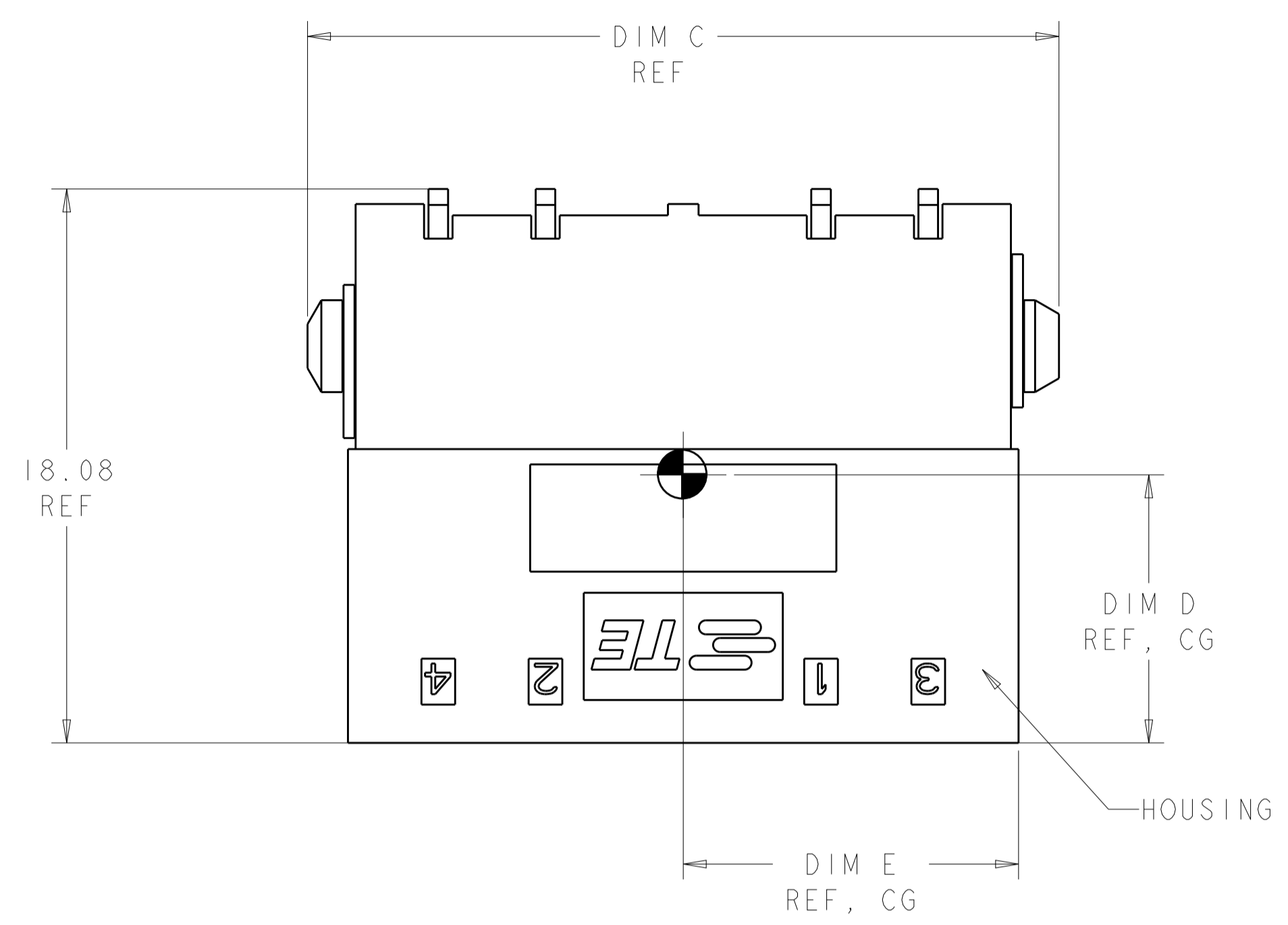
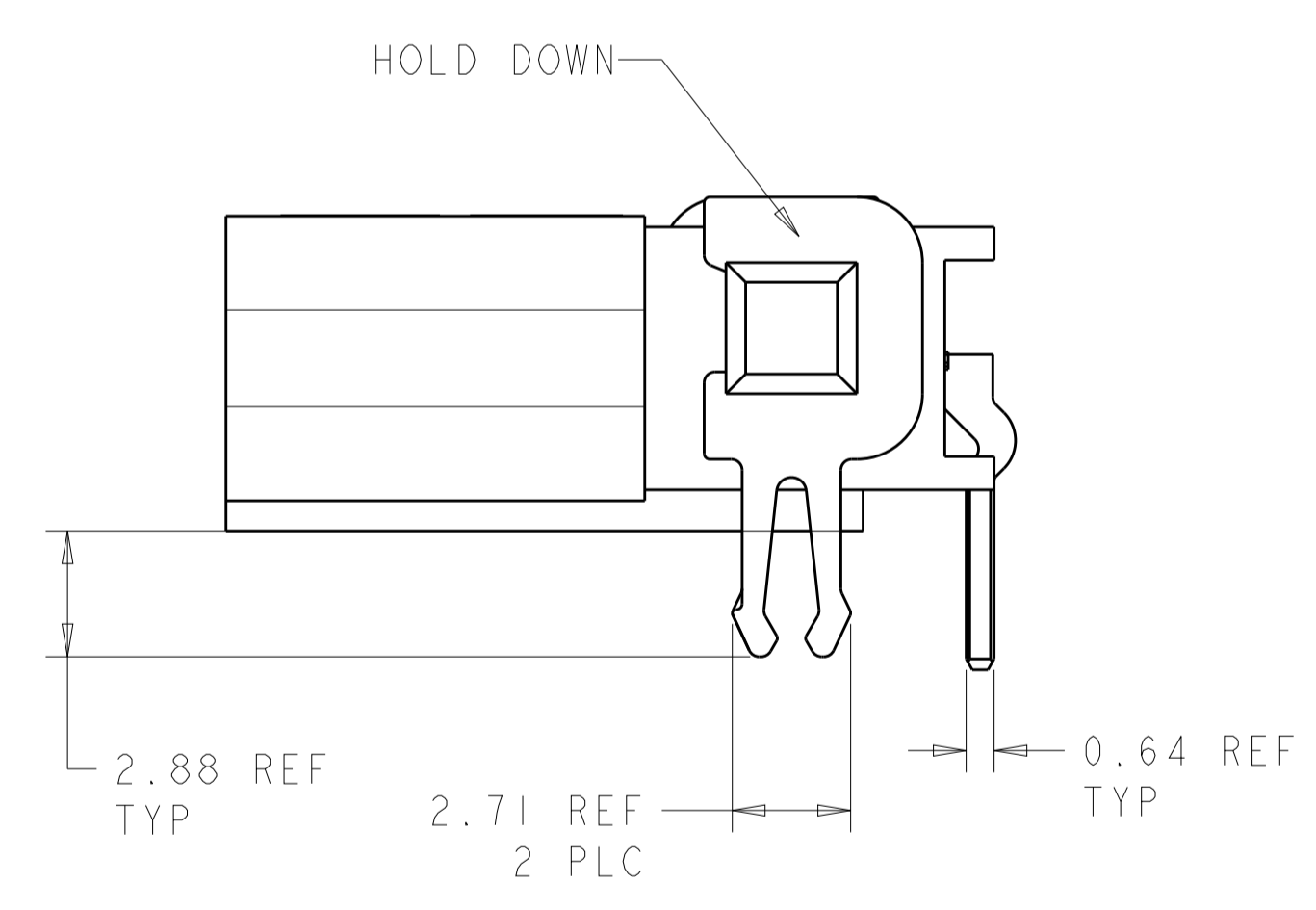
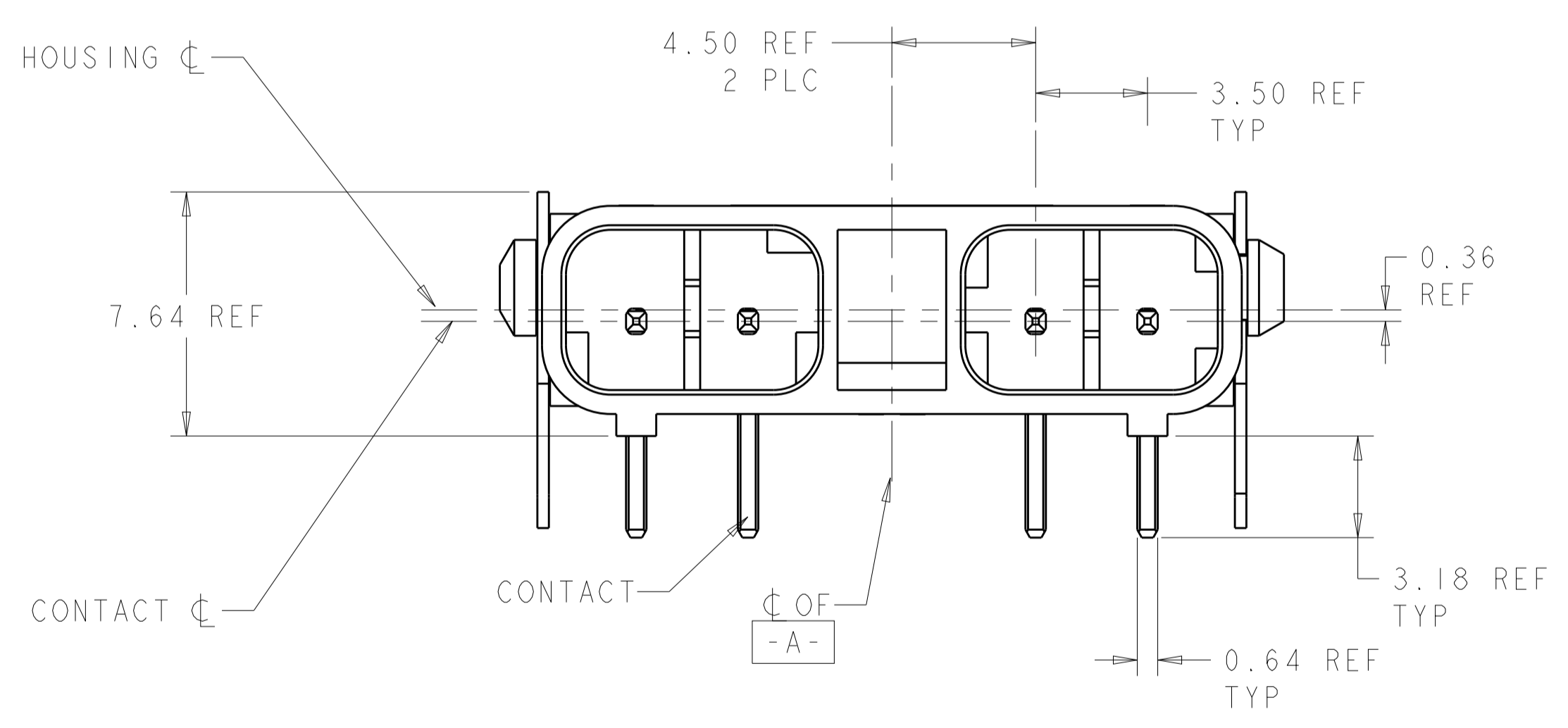


LOC		DIST		REVISIONS			
P	LTN	DESCRIPTION	DATE	DWN	APVD		
A		REVISED PER ECR-10-013359	07JUL2010	HMR	DD		
B		REVISED PER ECR-13-008007	17SEP2013	RS	DD		



- 1 MATERIAL: HOUSING: LCP, COLOR: BLACK.
- 2 CONTACTS: BRASS.
FINISH: 2.54µm MIN MATTE TIN OVER NICKEL (ENTIRE POST).
- 3 HOLDDOWN: COPPER ALLOY.
FINISH: 2.54µm MIN MATTE TIN OVER NICKEL .
- 4. THIS PRODUCT HAS NOT COMPLETED VALIDATION TESTING.
- 5 RECOMMENDED PC BOARD THICKNESS OF 1.57.
- 6. PACKAGED IN TUBES.
- 7. MUST COMPLY WITH DIRECTIVE 2002/95/EC (ROHS).



10.94	10.89	24.54	10.92	10.92	4	2106111-6
9.17	10.75	21.04	7.42	10.92	3	2106111-4
7.44	10.57	17.54	7.42	7.42	2	2106111-2
DIM E	DIM D	DIM C	DIM B	DIM A	POSN	PART NUMBER

THIS DRAWING IS A CONTROLLED DOCUMENT. DWN: HM VAN SCIO, 20FEB2009
 CHK: A. BUCHER, 20FEB2009
 APVD: A. BUCHER, 20FEB2009

STE TE Connectivity

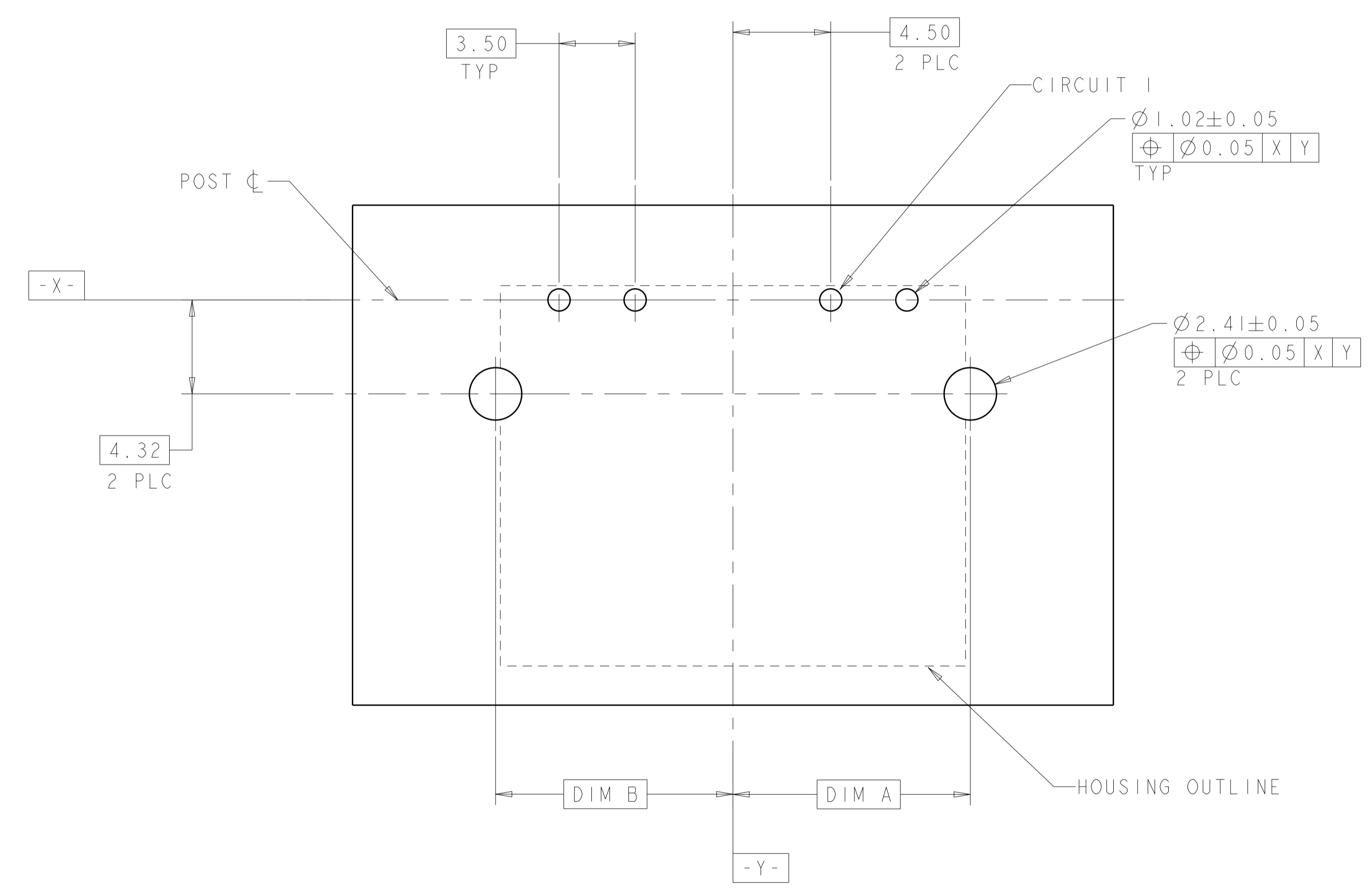
NAME: ASSEMBLY, RIGHT ANGLE THRU-HOLE HEADER, SLIMSEAL SSL CONNECTOR

PRODUCT SPEC: 108-2391
 APPLICATION SPEC: 114-13261
 WEIGHT: -

MATERIAL: FINISH:

CUSTOMER DRAWING SCALE: 4:1 SHEET 1 OF 2 REV B

LOC	DIST	REVISIONS					
		P	LTN	DESCRIPTION	DATE	DWN	APVD
CM	00	-	-	SEE SHEET 1	-	-	-



RECOMMENDED PC BOARD HOLE LAYOUT, COMPONENT SIDE $\triangle 5$
 DIMENSIONS APPLY TO ALL POSITIONS, UNLESS OTHERWISE NOTED

THIS DRAWING IS A CONTROLLED DOCUMENT.		DWN: HM VAN SCIO 20FEB2009	TE Connectivity
		CHK: A. BUCHER 20FEB2009	
DIMENSIONS:		APVD: A. BUCHER 20FEB2009	NAME: ASSEMBLY, RIGHT ANGLE THRU-HOLE HEADER, SLIMSEAL SSL CONNECTOR
mm	TOLERANCES UNLESS OTHERWISE SPECIFIED:	PRODUCT SPEC: 108-2391	SIZE: A100779C=2106111
	0 PLC ±	APPLICATION SPEC: 114-13261	RESTRICTED TO: -
	2 PLC ±0.13	WEIGHT: -	SCALE: 4:1 SHEET 2 OF 2 REV B
	3 PLC ±0.013	CUSTOMER DRAWING	
	4 PLC ±		
	ANGLES ±2°		
MATERIAL: -	FINISH: -		

单击下面可查看定价，库存，交付和生命周期等信息

[>>TE Connectivity\(泰科\)](#)