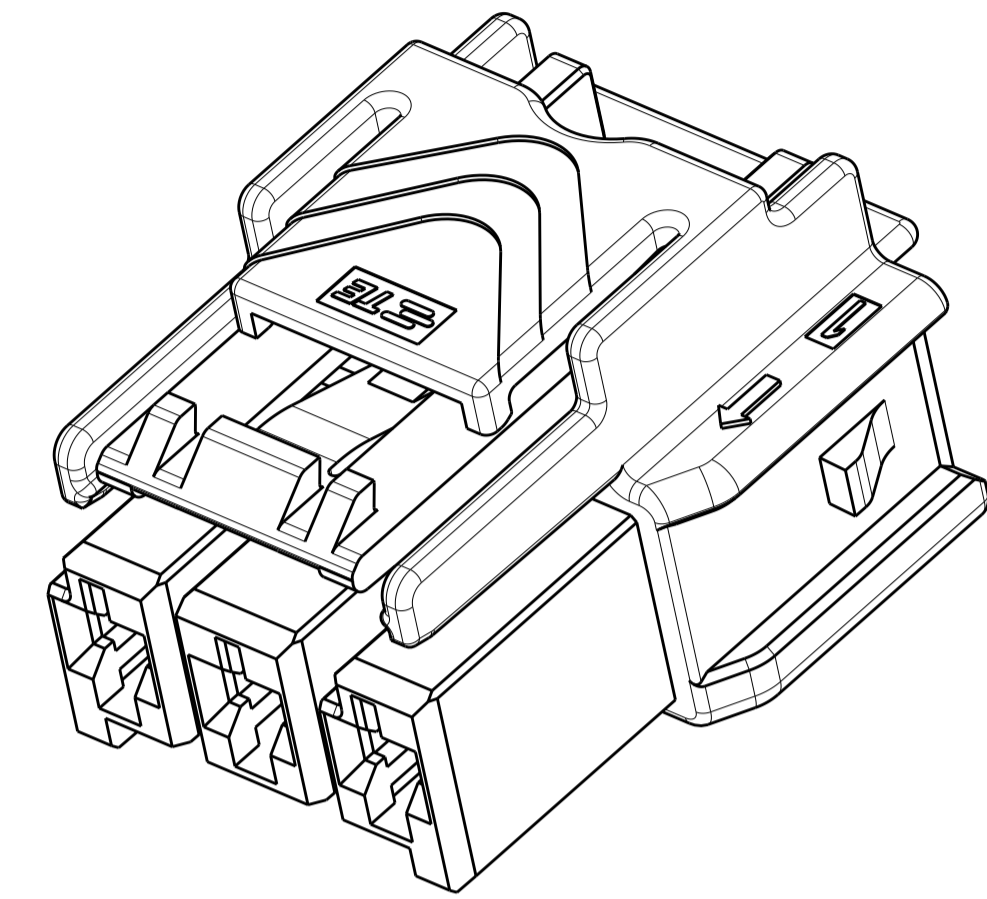
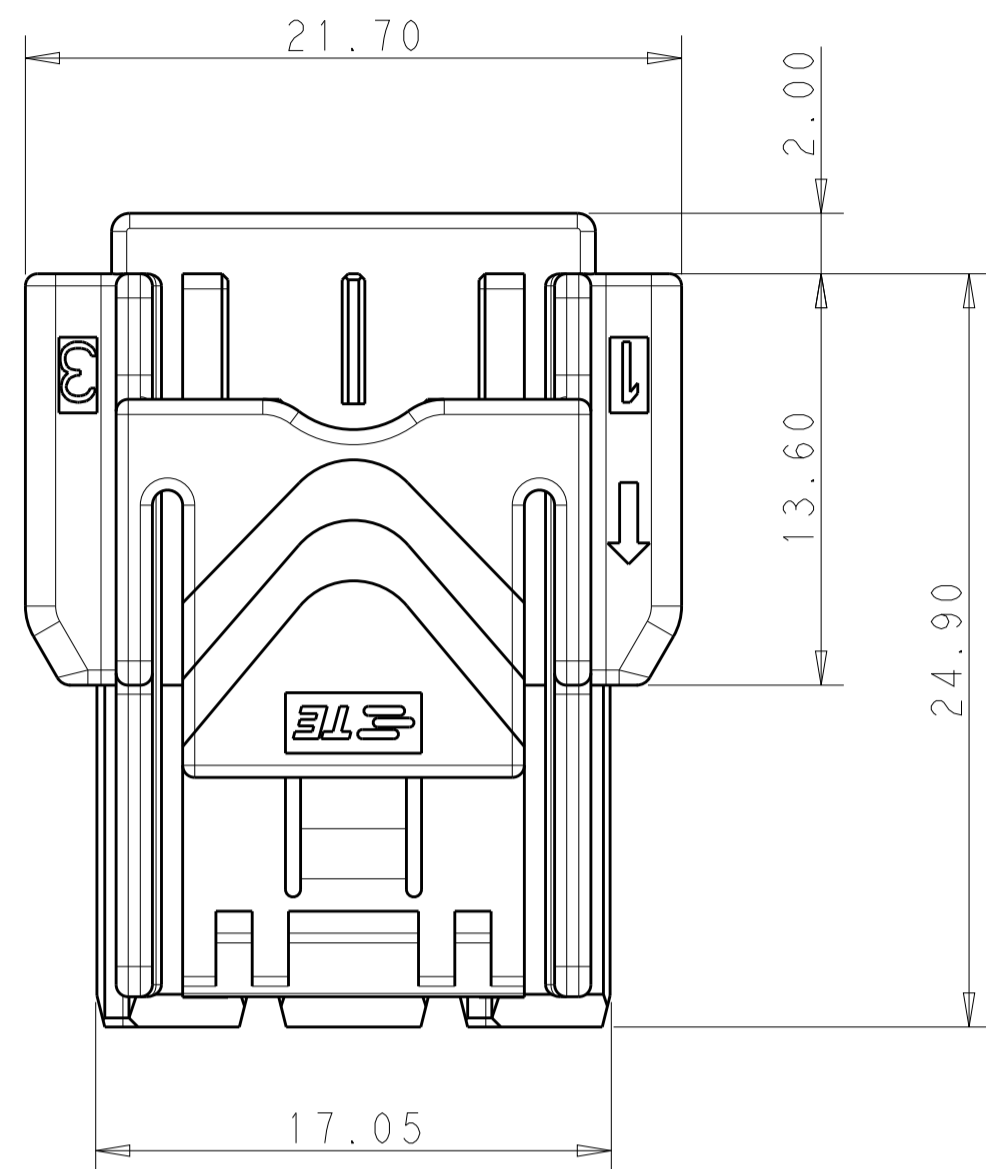
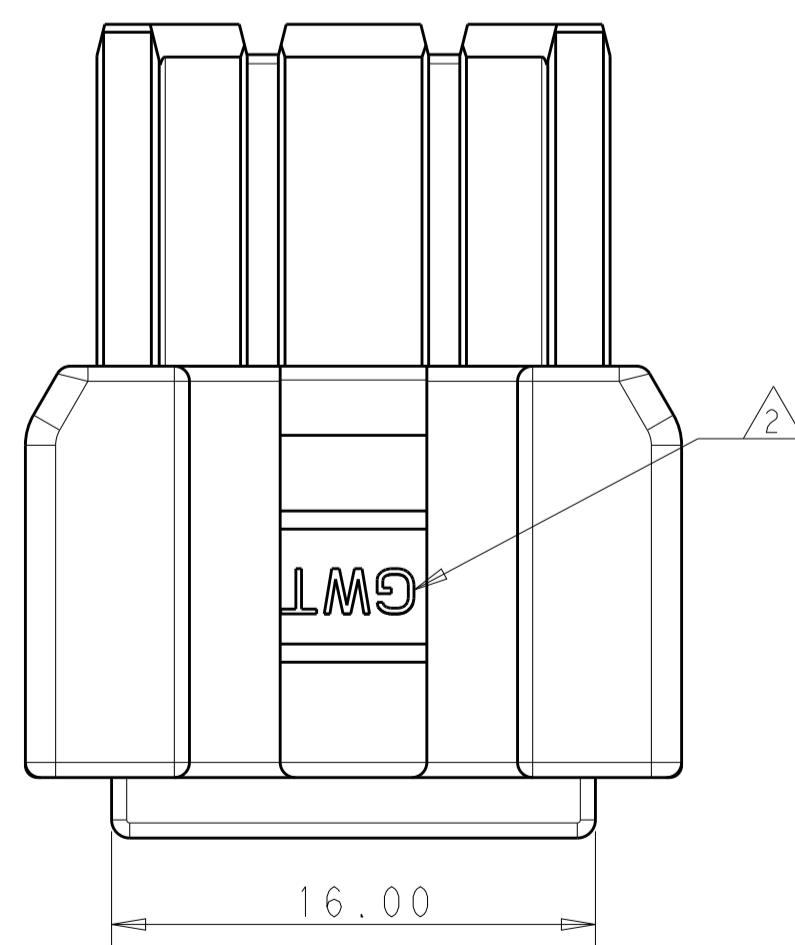
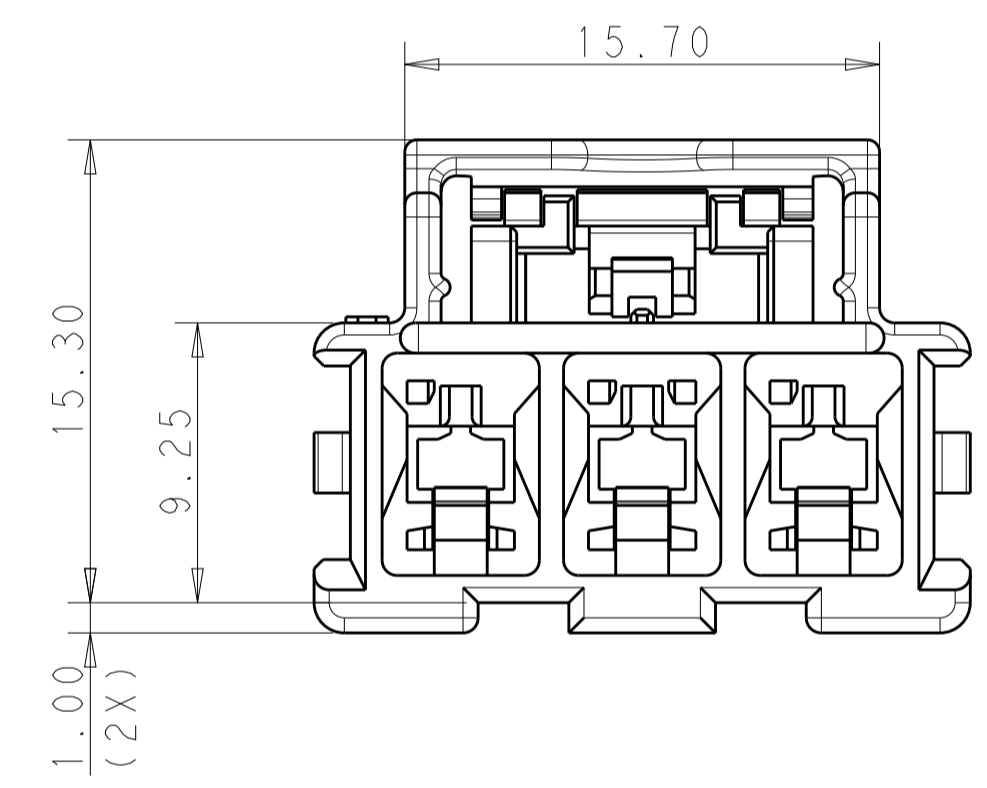
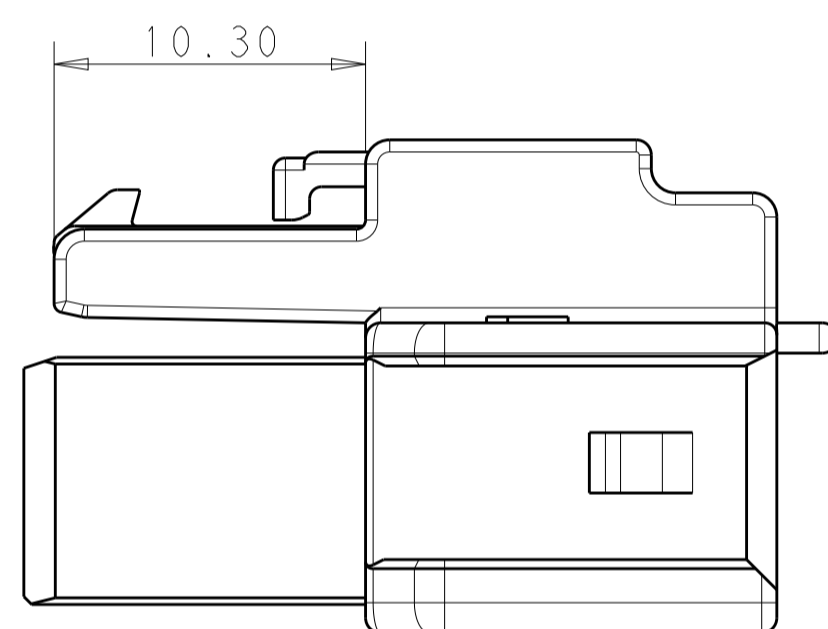
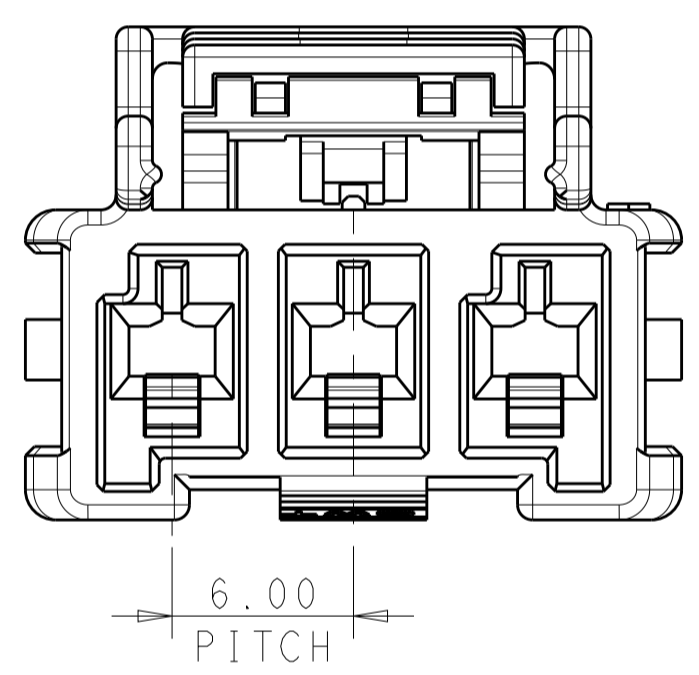


REVISIONS				
P.	LTN.	DESCRIPTION	DATE	DWN. APVD.
	B1	REVISED PER ECO-16-012046	16AUG16	RS GJ



- 1 MATERIAL: NYLON GLASS FILLED, NATURAL, UL94 V-0
- 2 MATERIAL MARK:GWT
- 3 COMPLIES WITH GLOW WIRE REQUIREMENT FOR PARTS OF NON-METALLIC MATERIAL SUPPORTING A CURRENT CARRYING CONNECTION DETAILED IN IEC 60335-1, SECTION 30 (GWT 750°C NF)
- 4 APPLICABLE CONTACT P/N
REC CONTACT: 2232723-* and 2238093-*
- 5 MATING CONN, P/N
CAP HSG:5-2232353-3
TPA (LOCKING PLATE):1971777-3



1*3	GWT	NATURAL	5-2232362-3
POS.	MATERIAL	COLOR	P/N

THIS DRAWING IS A CONTROLLED DOCUMENT.		DWN: 23JUL2013	TE Connectivity	
DIMENSIONS: mm		CHK: 23JUL2013		
TOLERANCES UNLESS OTHERWISE SPECIFIED:		APVD: HAPYE_WU 23JUL2013	NAME: PLUG HOUSING	
0 PLC	±	YUZHONG_MAO 23JUL2013	3 POSITION PTL MFBL	
1 PLC	±0.35	PRODUCT SPEC	(MAKE FIRST BREAK LAST)	
2 PLC	±0.25	108-106147	SIZE: A1	
3 PLC	±	APPLICATION SPEC	CAGE CODE: 00779	
4 PLC	±	114-106147	DRAWING NO: 2232362	
ANGLES	±	WEIGHT	RESTRICTED TO	
FINISH	-	Customer Drawing	SCALE: 4:1 SHEET 1 OF 1 REV: B1	

单击下面可查看定价，库存，交付和生命周期等信息

[>>TE Connectivity\(泰科\)](#)