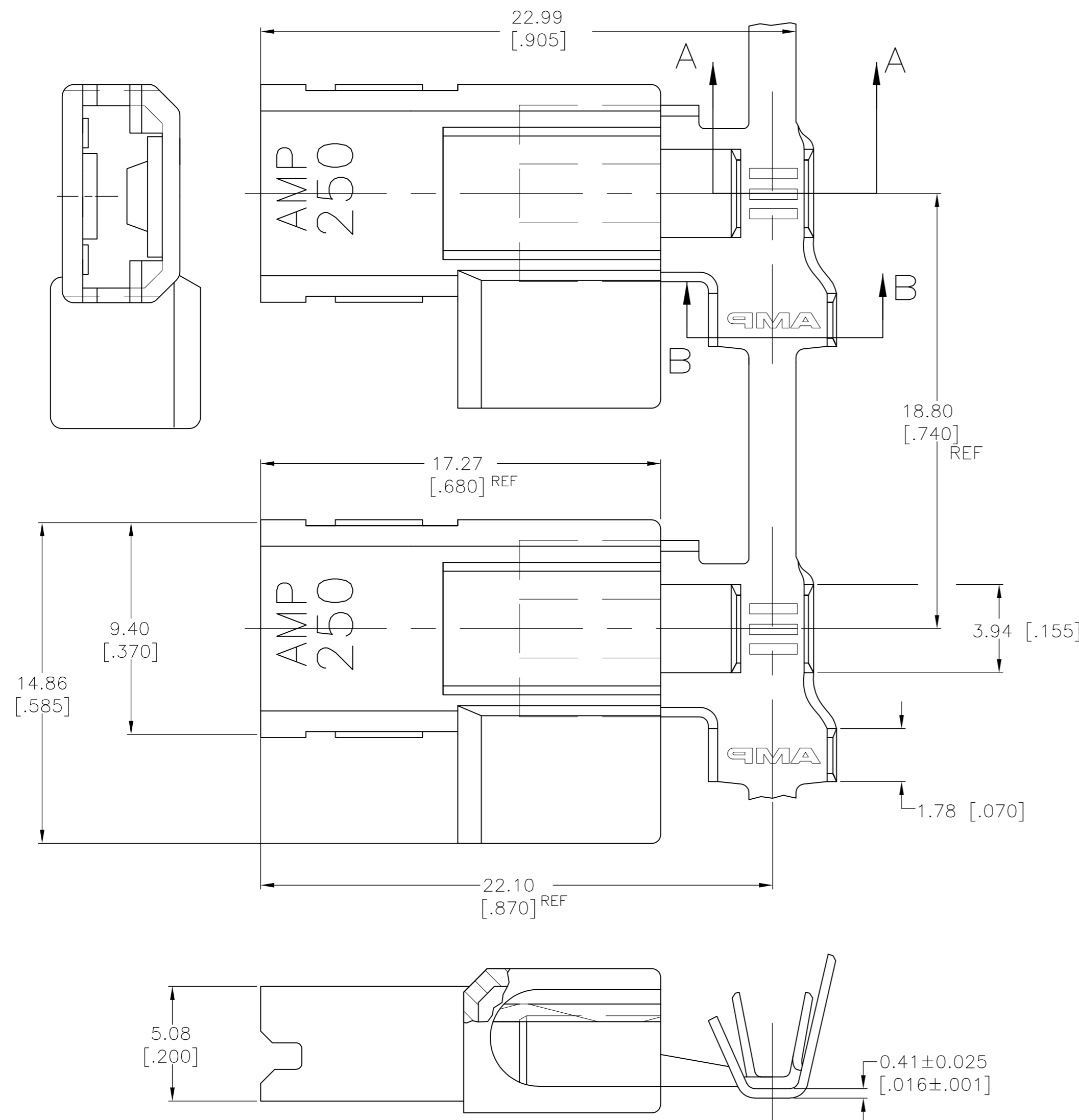
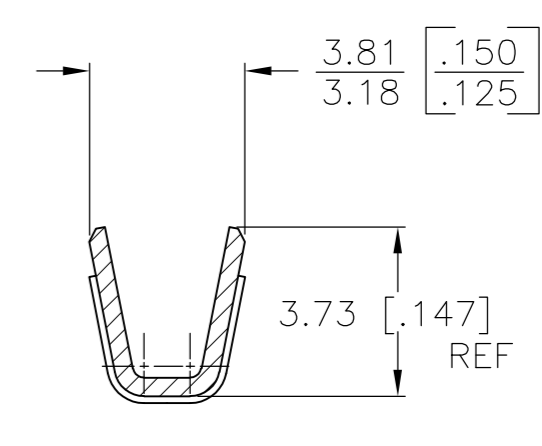
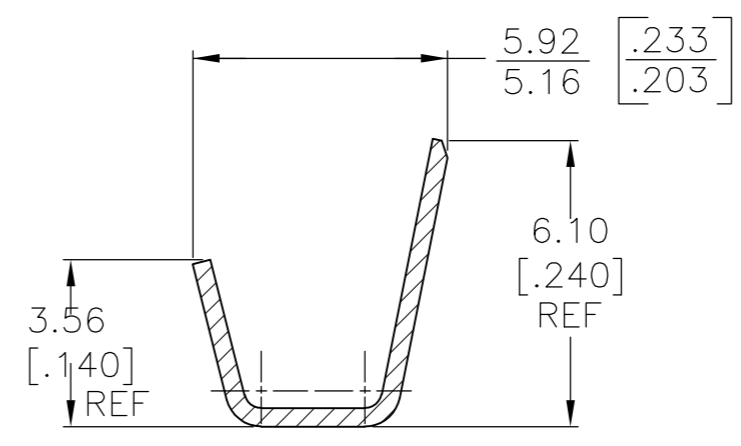


THIS DRAWING IS UNPUBLISHED. RELEASED FOR PUBLICATION
 © COPYRIGHT BY TYCO ELECTRONICS CORPORATION. ALL RIGHTS RESERVED.

LOC		DIST		REVISIONS			
P	LTR	DESCRIPTION		DATE	DWN	APVD	
AF	50	A1	REVISED PER ECR-10-005376	11MAR10	JR	GP	



- 1 BUDGET FLAG FASTON TERMINALS, BASE P/N 63559, ARE USED IN THIS PRODUCT.
- 2 PENDING UL & CSA APPROVALS FOR WIRE SIZES: #18, #16, #14 AWG STRANDED WIRE ONLY.
- 3 INSULATION RANGE IS 2.79-4.06 [.110-.160] DIA.
- 4 PRELIMINARY - NOT FOR PRODUCTION.
- 5 PRE-PRODUCTION - FASR REQUIRED.



SECTION B-B

SECTION A-A

NYLON 4/6 - BLACK	TIN PLATED - 4M BRASS	1969283-2	5
	PLAIN - 4M BRASS	1969283-1	4
HOUSING MATERIAL / COLOR	TERMINAL FINISH - MATERIAL	PART NO	

THIS DRAWING IS A CONTROLLED DOCUMENT.		DWN 08JUN2009 RAGHAVENDRA	Tyco Electronics Corporation Harrisburg, PA 17105-3608	
DIMENSIONS: INCHES		CHK 08JUN2009 PORTA GARY	NAME	
TOLERANCES UNLESS OTHERWISE SPECIFIED:		APVD 08JUN2009 PORTA GARY	PRODUCT SPEC	
0 PLC ± -		108-1285		APPLICATION SPEC
1 PLC ± -		114-2124		RESTRICTED TO
2 PLC ± -		WEIGHT -		SIZE CAGE CODE DRAWING NO
3 PLC ± 0.25 [.010]		A2 00779 C=1969283		SCALE SHEET 1 OF 1 REV A1
4 PLC ± -		CUSTOMER DRAWING		
ANGLES ± -				
FINISH				
SEE TABLE				

单击下面可查看定价，库存，交付和生命周期等信息

[>>TE Connectivity\(泰科\)](#)