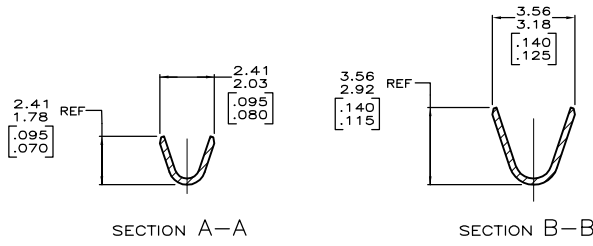
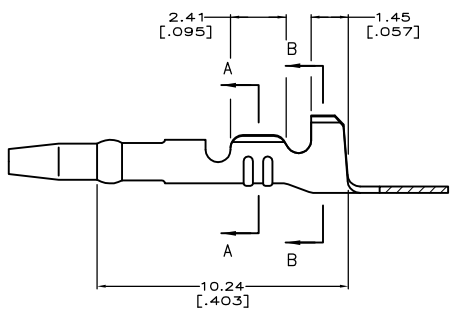
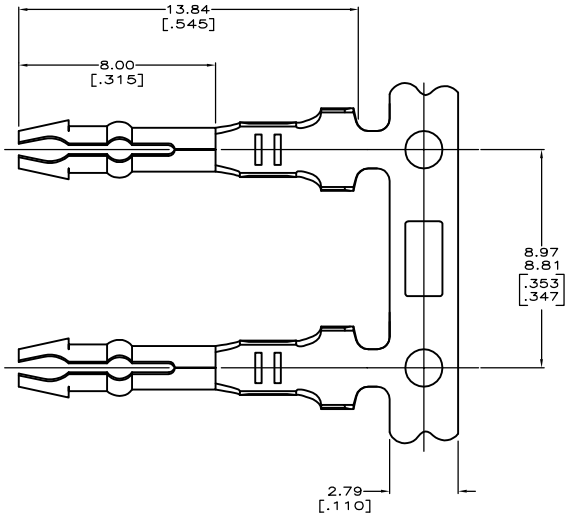
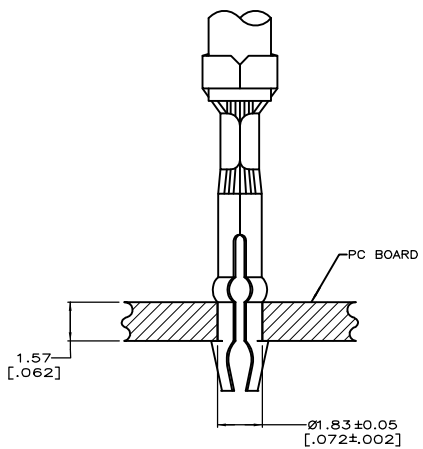


THIS DRAWING IS UNPUBLISHED.
 RELEASED FOR PUBLICATION
 © COPYRIGHT - TE Connectivity ALL RIGHTS RESERVED

REVISIONS					
P.	LN.	DESCRIPTION	DATE	BY	APP.
A12		REVISED PER ECR-17-013047	12SEP2017	J.Z.	D.Z.

△ NOTE DELETED.

- PARTS COMPLY WITH AMP SOLDERABILITY SPEC 109-11-3.
- WIRE RANGE: 0.3 - 0.6 mm² (22 - 20 AWG).
- INSULATION RANGE: 2.54 [.100] DIA MAX.
- DIMENSIONS IN BRACKETS ARE IN INCHES.



MINI	PRE TIN	0.25 [.010] BRASS	3-42642-3
MINI	PRE TIN-LEAD	0.25 [.010] BRASS	42642-3
APPLICATOR TYPE	FINISH	MATERIAL	PART NUMBER

THIS DRAWING IS A CONTROLLED DOCUMENT. BY: X. WHITAKER 11/10/2008
 OTHERWISE SPECIFIED: BY: X. WHITAKER 11/10/2008
 BY: X. WHITAKER 11/10/2008

METRIC

DIMENSIONS: mm [INCHES] DIMENSIONAL TOLERANCES UNLESS OTHERWISE SPECIFIED: F. F.C. ± .005 M. F.C. ± .005 [010] H. F.C. ± .005 ANGLES ± .5°	PRODUCT SPEC: AMP APPLICATION SPEC: AMP WEIGHT: 0.000000 FINISH:	SIZE: A1 CASE CODE: 00779 DRAWING NO: 42642 CUSTOMER DRAWING	SCALE: 10:1 SHEET: 1 of 1 REV: A12
--	---	---	--

TE Connectivity
 TERMINAL, AMP-IN(TM)

单击下面可查看定价，库存，交付和生命周期等信息

[>>TE Connectivity\(泰科\)](#)