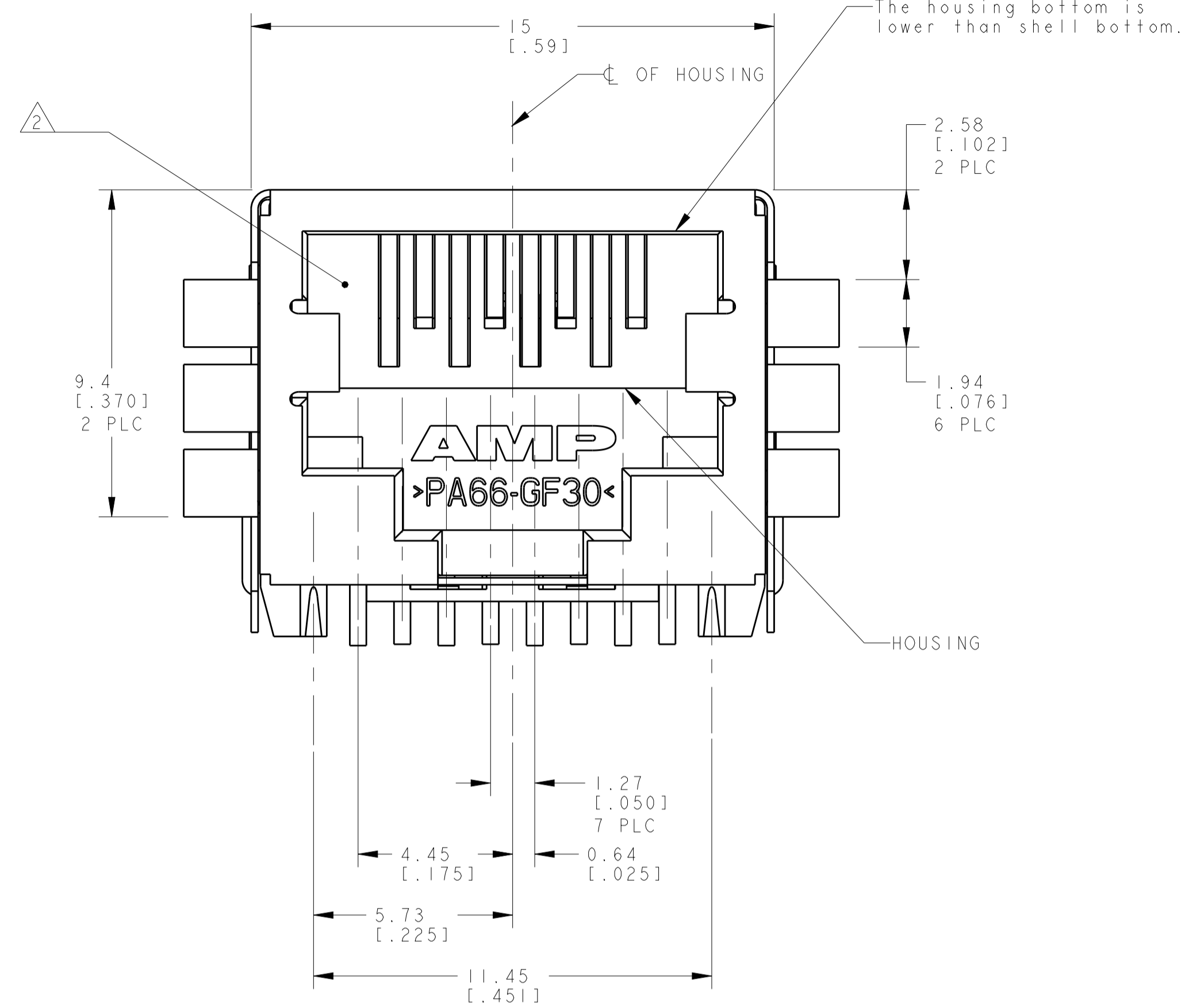
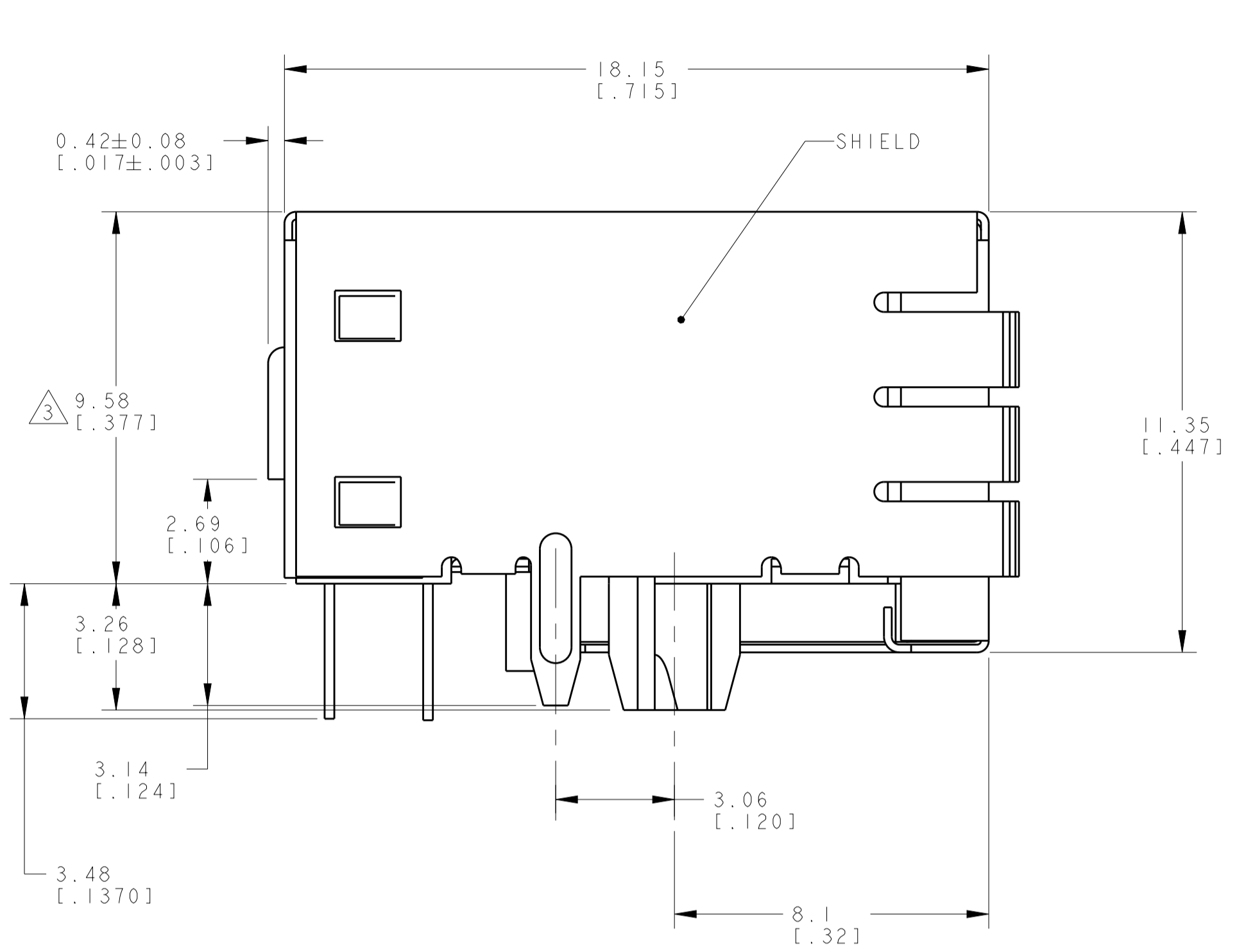
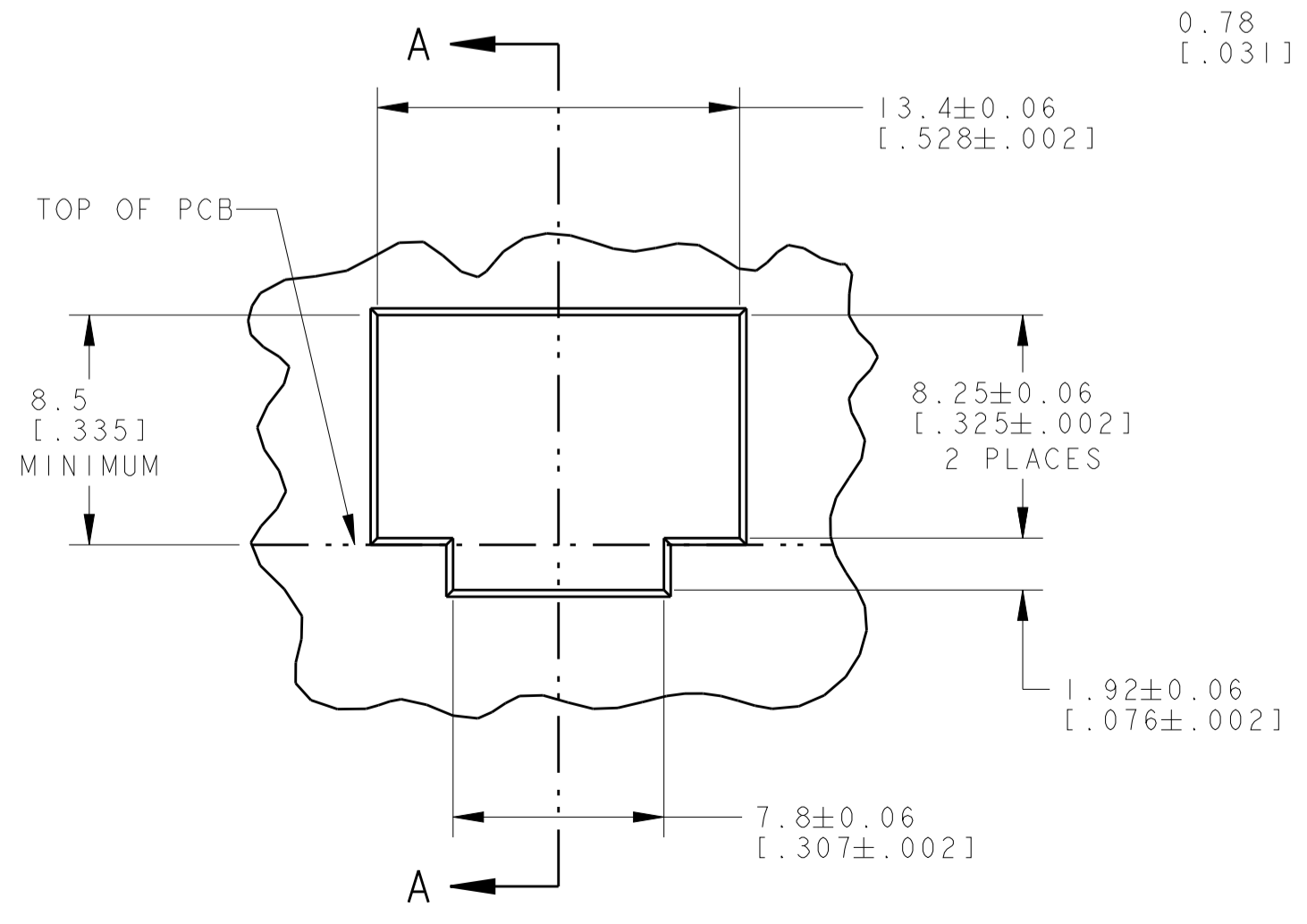
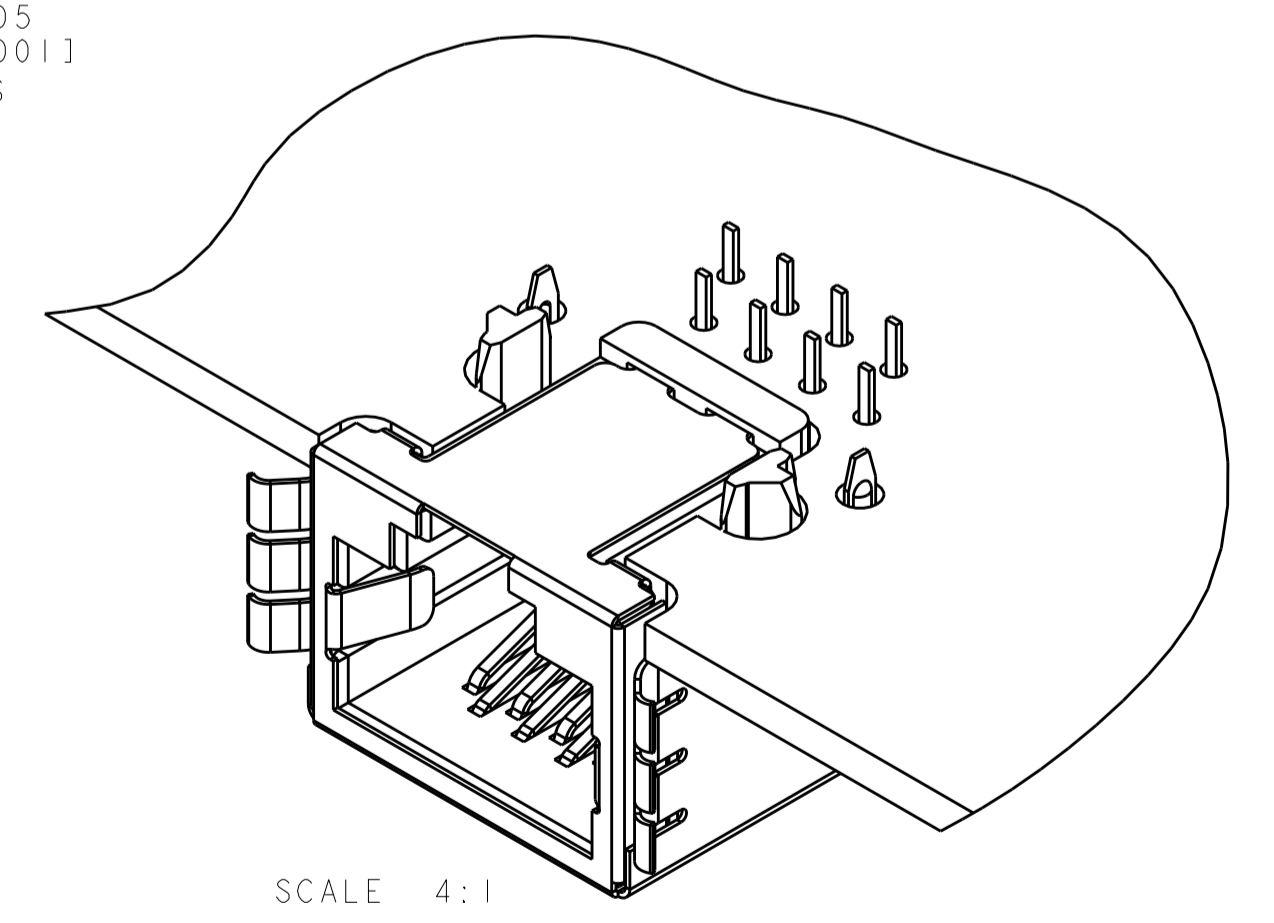
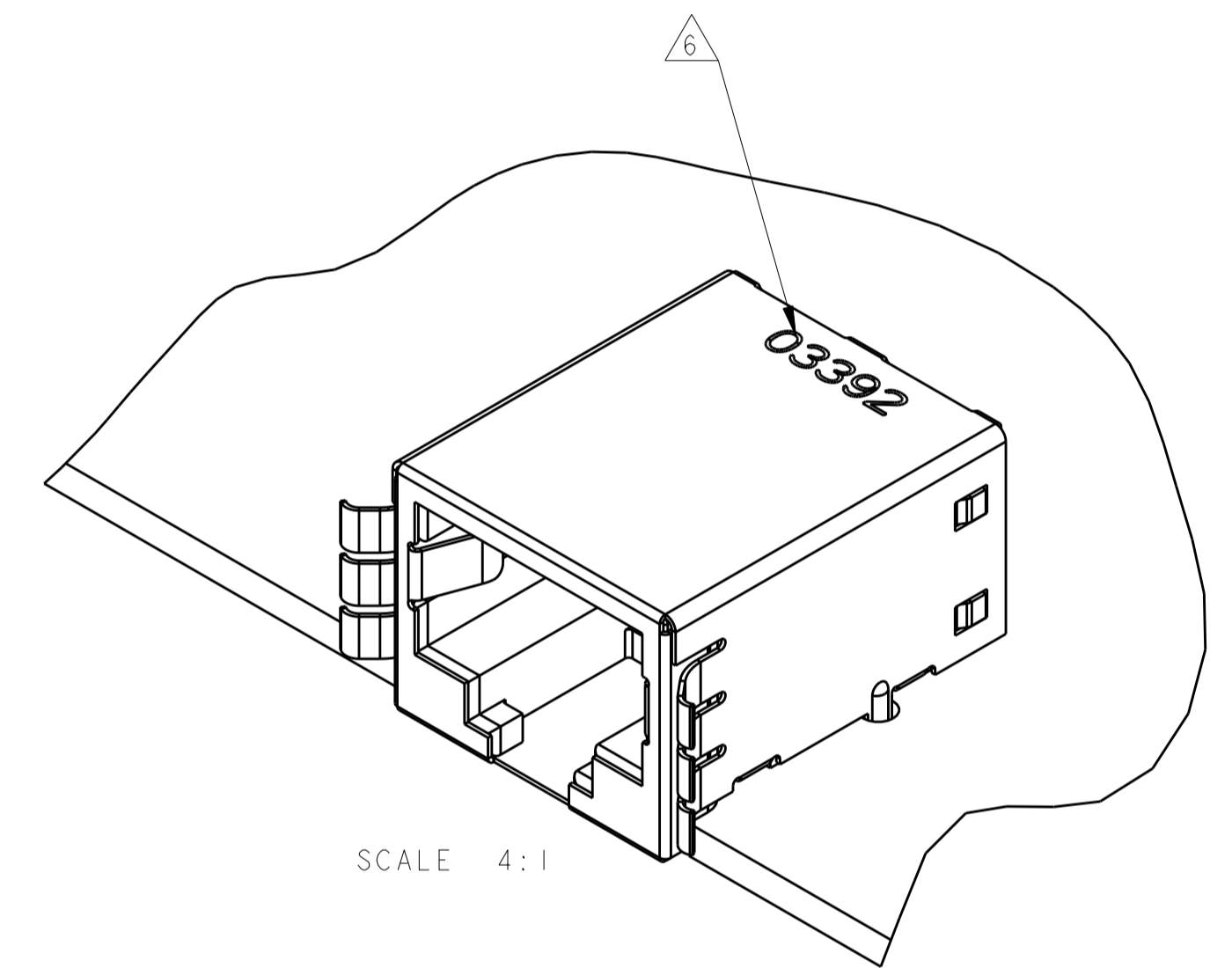
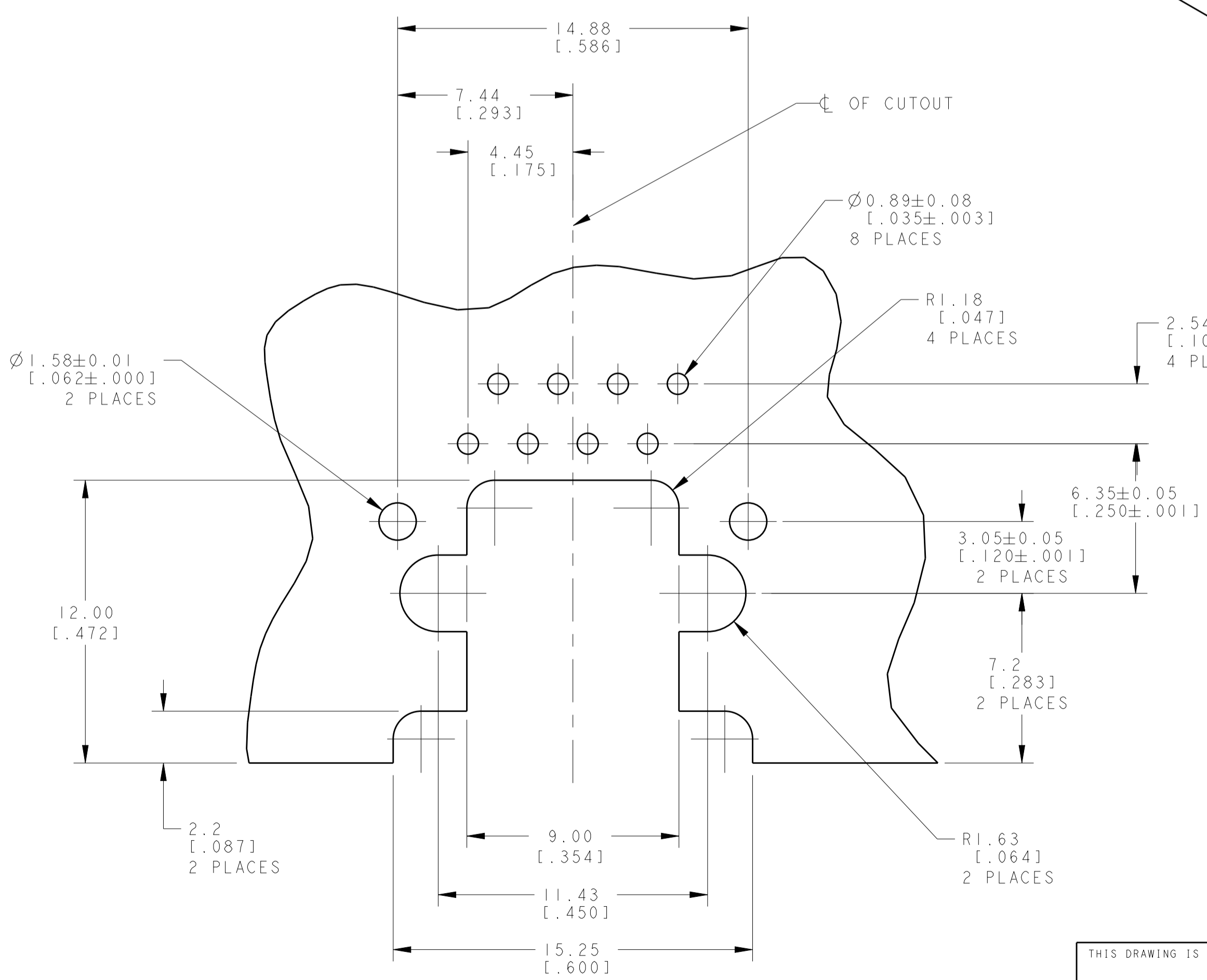
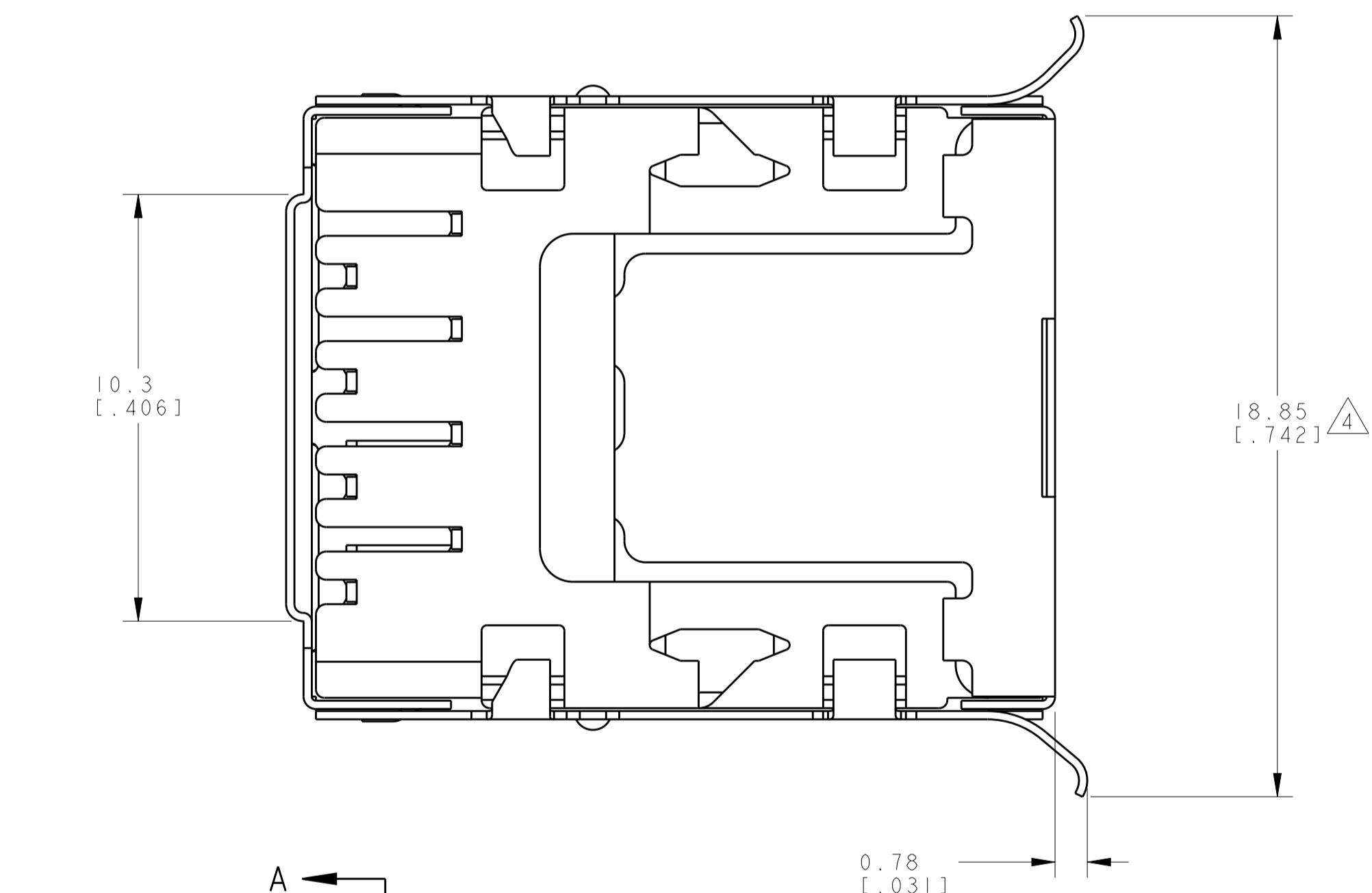


| REVISIONS | | | | |
|-----------|------|---------------------------|-----------|--------|
| P. | LTN. | DESCRIPTION | DATE | APP'D. |
| B | | REVISED PER ECO-14-015233 | 27APR2015 | LL SH |



- △ MATERIAL: HOUSING - HIGH TEMPERATURE NYLON, BLACK, UL 94V-0, IR REFLOW SOLDERING PROCESS COMPATIBLE. TERMINALS - 0.25[.010] THICK PHOSPHOR BRONZE PLATED WITH 3.81µm[.000150] MINIMUM THICK MATTE TIN IN SOLDER AREA, 1.27µm[.000050] MINIMUM GOLD IN LOCALIZED PLATE AREA. ENTIRE TERMINAL PLATED WITH 1.27µm[.000050] MINIMUM THICK NICKEL. SHIELD - 0.1[.0039] MIN THICK COPPER ZINC ALLOY, PREPLATED WITH 2.0-4.0µm (.000079-.000157) THICK TIN OVER 1.27µm (.000050) MIN THICK NICKEL.
- △ JACK CAVITY CONFORMS TO FCC RULES AND REGULATIONS PART 68, SUBPART F.
- △ THIS DIMENSION REPRESENTS THE TOTAL HEIGHT OF THE CONNECTOR FROM THE TOP OF THE PC BOARD.
- △ THIS DIMENSION HAS A MAXIMUM VALUE OF 20.50[.807] WHEN JACK IS INSTALLED BEHIND PANEL.
- 5. PACKAGED 66 ASSEMBLIES PER PVC TRAY, 396 PER BOX.
- △ MANUFACTURING DATE CODE: ORIENTED AND LOCATED APPROXIMATELY AS SHOWN. LASER PRINTING. TEXT HEIGHT APPROXIMATELY 2MM. FIRST 2 DIGITS = LAST 2 DIGITS OF YEAR. NEXT 2 DIGITS = MANUFACTURING WORK WEEK. LAST DIGIT = DAY OF WEEK WITH SUNDAY = 1



SUGGESTED PANEL CUTOUT SCALE 4:1

SUGGESTED PRINTED CIRCUIT BOARD LAYOUT COMPONENT SIDE SCALE 6:1

| | |
|-------------------|-----------|
| MATERIAL / FINISH | 1932626-1 |
| PART NUMBER | |

| | | | | | |
|--|--|---------------------------|--------------------------|----------------------------|---|
| THIS DRAWING IS A CONTROLLED DOCUMENT. | | OWN: RINSEN_SUN 28MAY2010 | CHK: SUNY_ZHAO 28MAY2010 | APVD: STEVEN_YAO 28MAY2010 | NAME: MODULAR JACK ASSEMBLY, 8 POSITION, SHIELDED, 10mm |
| DIMENSIONS: mm [INCHES] | TOLERANCES UNLESS OTHERWISE SPECIFIED: | 0 PLC ± | 1 PLC ± | 2 PLC ± | 3 PLC ±0.131(.005) |
| | | 4 PLC ± | 5 PLC ± | 6 PLC ± | 7 PLC ± |
| | | 8 PLC ± | ANGLES ± | | |
| MATERIAL: SEE P/N TABLE | FINISH: SEE P/N TABLE | WEIGHT: 3.49 grams | SIZE: A1 | CAGE CODE: 1932626 | RESTRICTED TO: B |
| CUSTOMER DRAWING | | SCALE: 8:1 | SHEET: 1 | OF: 1 | REV: B |

单击下面可查看定价，库存，交付和生命周期等信息

[>>TE Connectivity\(泰科\)](#)