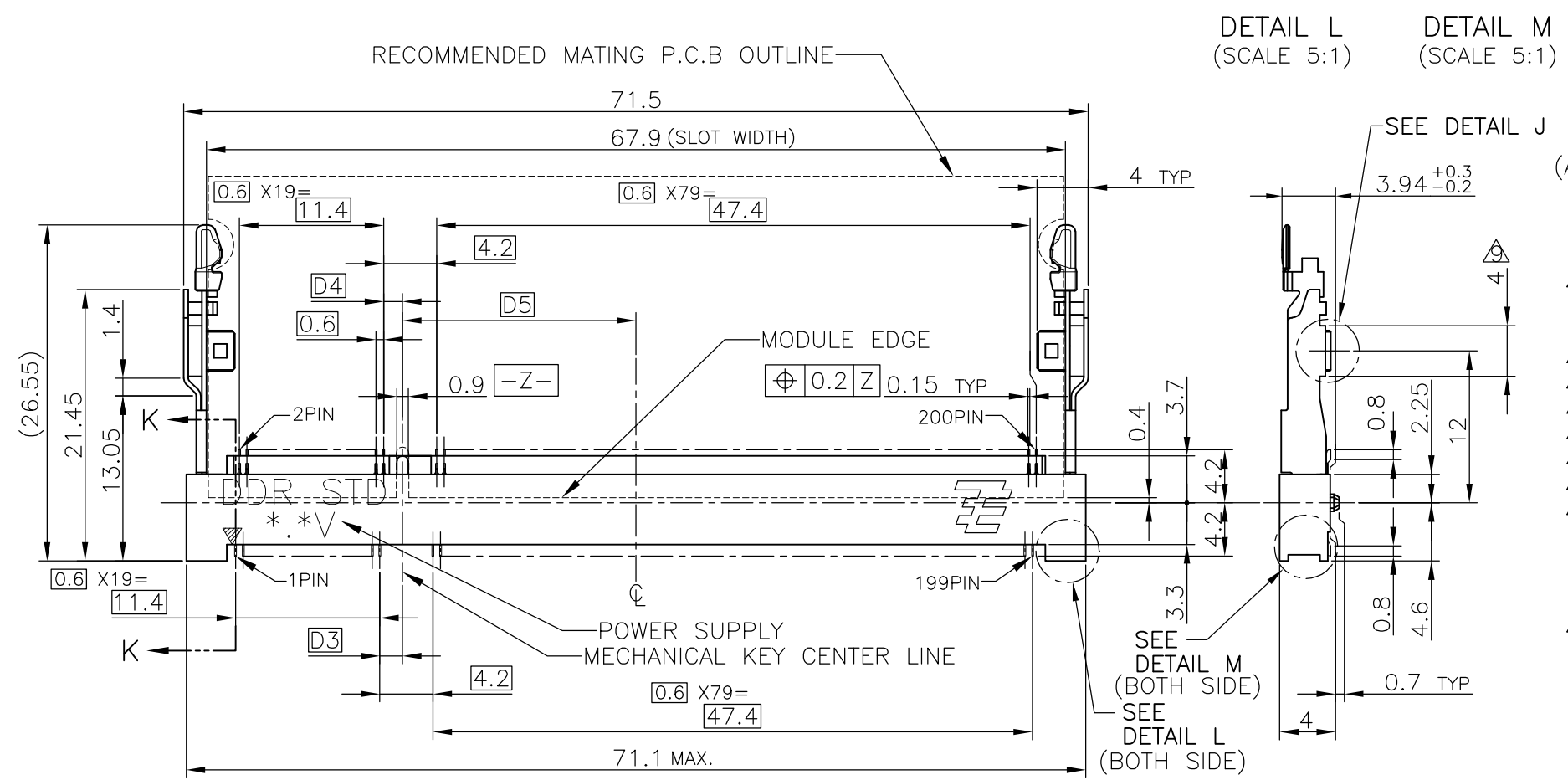
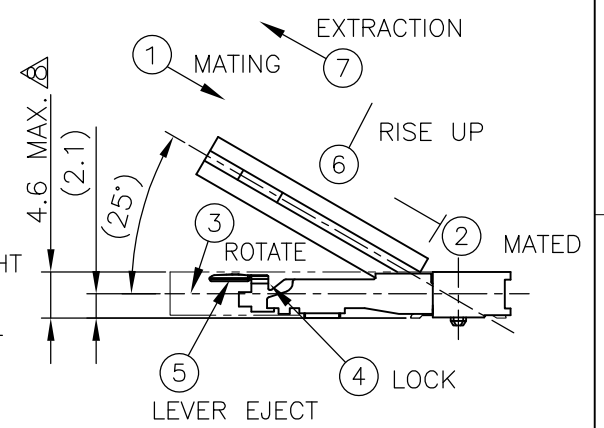
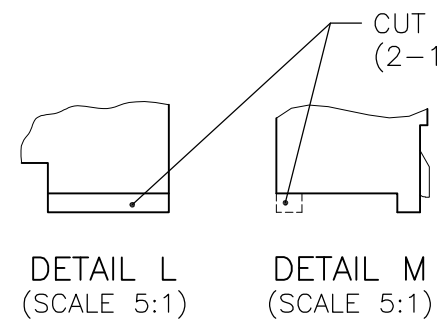
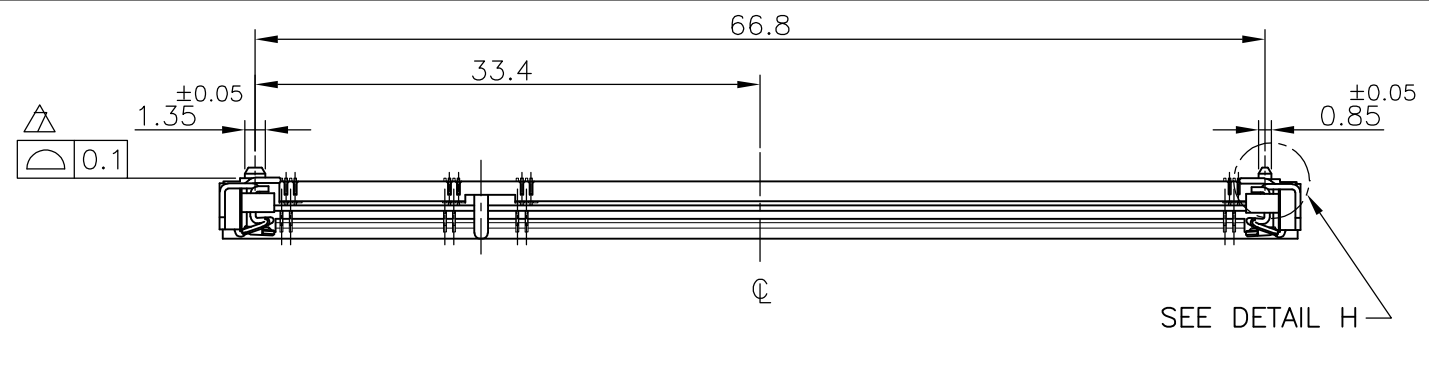


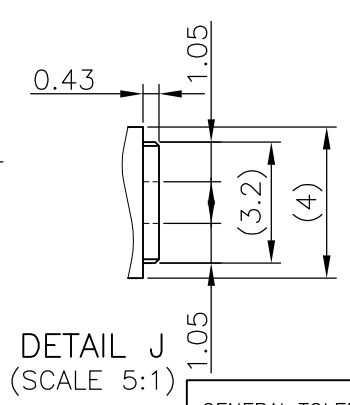
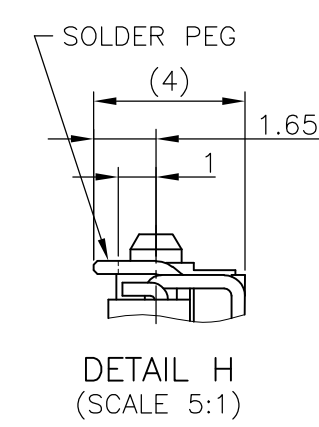
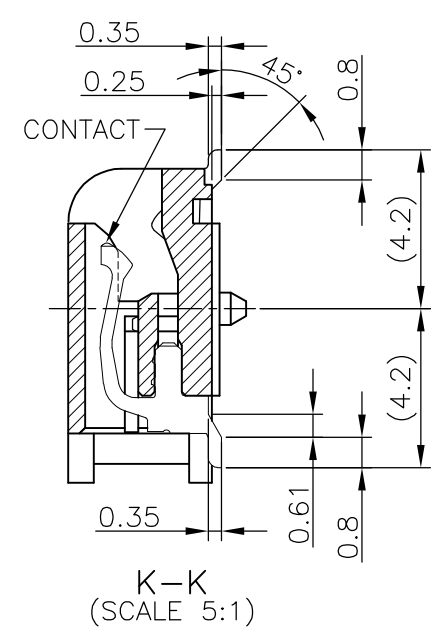
THIS DRAWING IS UNPUBLISHED. RELEASED FOR PUBLICATION NOV. 2004.
 © COPYRIGHT 2004 By - ALL RIGHTS RESERVED.

LOC		DIST		REVISIONS			DATE	DWN	APVD
P	LTR	DESCRIPTION							
	R2	REVISED PER ECO-11-005033			26MAR11	RK	HMR		



HOW TO MATE AND UNMATE
 MATE: ① → ④
 UNMATE: ⑤ → ⑦
 (APPLIED TO SHEET 1-2)

1. MATERIAL ; HOUSING: HIGH TEMPERATURE THERMO PLASTIC UL94V-0
 CONTACT: COPPER ARROY
 LOCK LEVER: STAINLESS STEEL
- △ FINISH ; CONTACT AREA: GOLD FLASH ON 0.0013MIN ALL OVER NICKEL.
 SOLDERING AREA: GOLD FLASH PLATING.
 LOCK LEVER: TIN PLATING.
- △ MECHANICAL KEY POSITION OF CONNECTOR SEE TABLE.
- △ TOLERANCES NON-CUMULATIVE.
- △ NOT TO SCALE.
- △ INSIDE MUST BE RESIST COAT EXCEPT SOLDER PATTERN.
- △ COPLANARITY : 0.1 MAX.
- △ THE FLOATING VALUE BY SOLDERING IS NOT INCLUDED.
- △ NOT MATING CONDITION.
- 10 IF THE MODULE DOESN'T INSERT AND LOCK IN THE LATCH SMOOTHLY,
 OPEN WIDE BOTH LATCHES BY MANUAL. AND THE MODULE MUST BE
 INSERTED AND LOCKED IN THE LATCH.
- △ FINISH ; CONTACT AREA: GOLD 0.00076MIN PLATING ON 0.0013MIN ALL
 OVER NICKEL.
 SOLDERING AREA: GOLD FLASH PLATING.
 LOCK LEVER: TIN PLATING.



GENERAL TOLERANCE
 10 ≥ : ±0.2
 30 ≥ > 10: ±0.25
 100 ≥ > 30: ±0.3
 ANGLES: ±3'

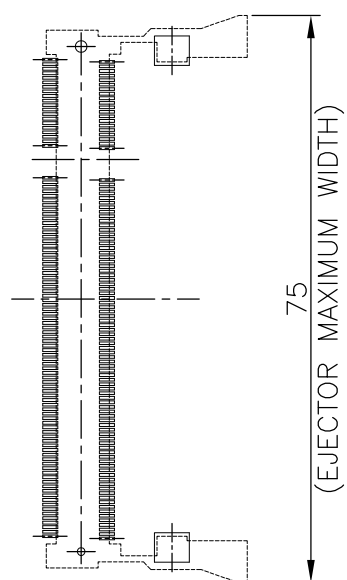
FINISH	TOOLING STATUS	REMARK	POWER SUPPLY	D5	D4	D3	POS	PART NO.
△	AVAILABLE	POROSITY SEALING	1.8V (DDR2)	17.55	2.4	2.7	200	1827236-6
△	AVAILABLE	CUT OUT OF POROSITY SEALING	1.8V (DDR2)	17.55	2.4	2.7	200	3-1827236-4
△	AVAILABLE	CUT OUT OF HOUSING TAIL	1.8V (DDR2)	17.55	2.4	2.7	200	2-1827236-4
△	AVAILABLE	BOSSLESS	1.8V (DDR2)	17.55	2.4	2.7	200	1-1827236-4
△	AVAILABLE	— —	1.8V (DDR2)	17.55	2.4	2.7	200	1827236-4
— —	NOT AVAILABLE	— —	2.5V (DDR1)	18.45	1.5	1.8	200	—

THIS DRAWING IS A CONTROLLED DOCUMENT.

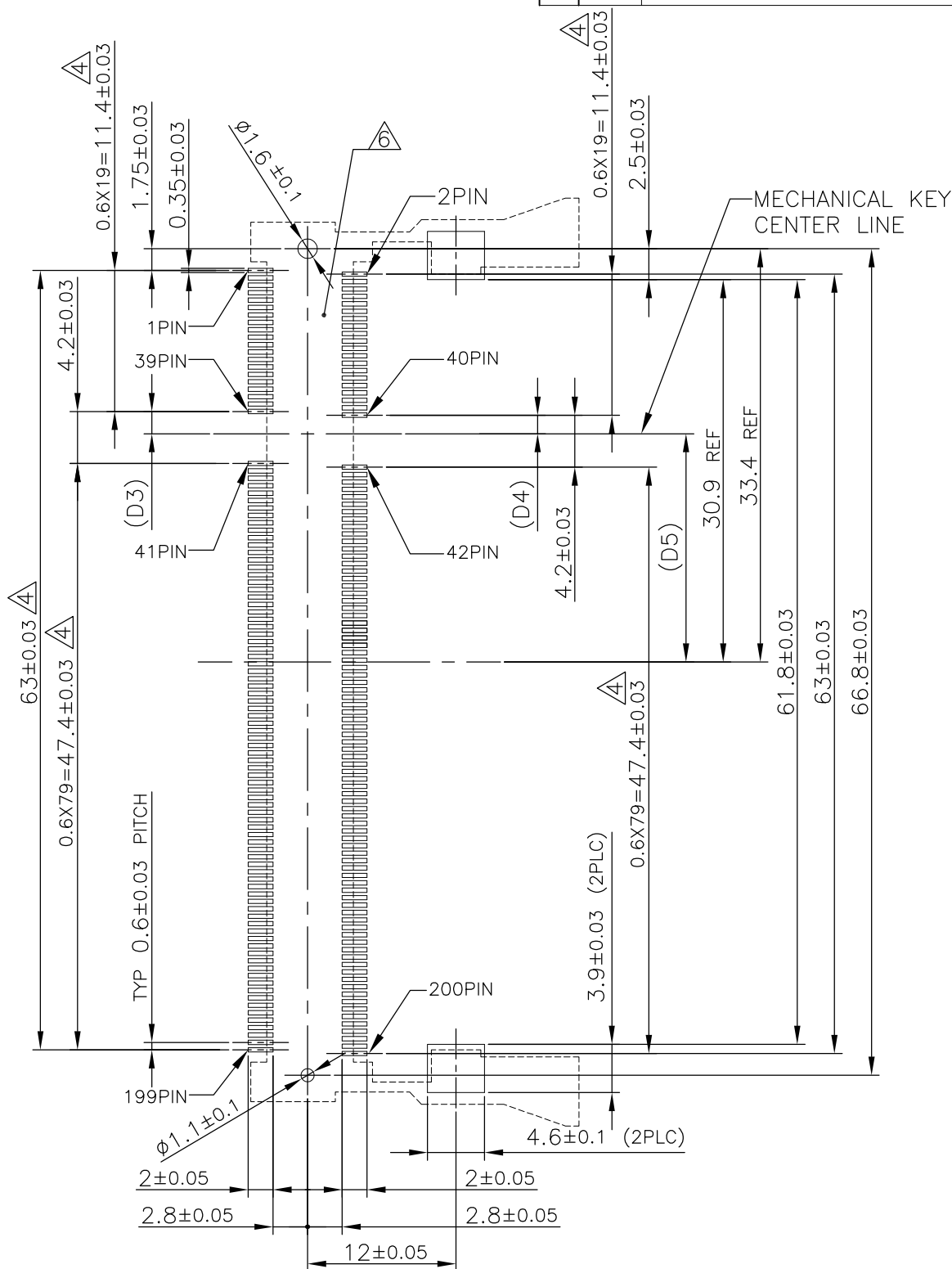
DWN	B.WONG	20JUL10	TE Connectivity
CHK	C.WANG	20JUL10	
APVD	S.YAO	20JUL10	
PRODUCT SPEC	NAME		
DIMENSIONS: MM TOLERANCES UNLESS OTHERWISE SPECIFIED: 0 PLC ± 1 PLC ± 2 PLC ± 3 PLC ± 4 PLC ± ANGLES ± FINISH ±			DDR1 & DDR2 SODIMM SOCKET 0.6mm PITCH 200POS LOW PROFILE STANDARD TYPE (LATCH DIRECT SOLDERING TYPE)
MATERIAL WEIGHT 3.2 g			APPLICATION SPEC 108-5701 SIZE A3 CAGE CODE 00779 DRAWING NO C-1827236 RESTRICTED TO
CUSTOMER DRAWING			SCALE 2:1 SHEET 1 OF 4 REV R2

LOC	DIST	REVISIONS		
J		P	LTR	DESCRIPTION
		-	-	SEE SHEET 1
				DATE
				DWN
				APVD

REFERENCE P.C. BOARD PATTERN LAYOUT (CONNECTOR MOUNTING SIDE)



REAL SIZE (SCALE 1:1)

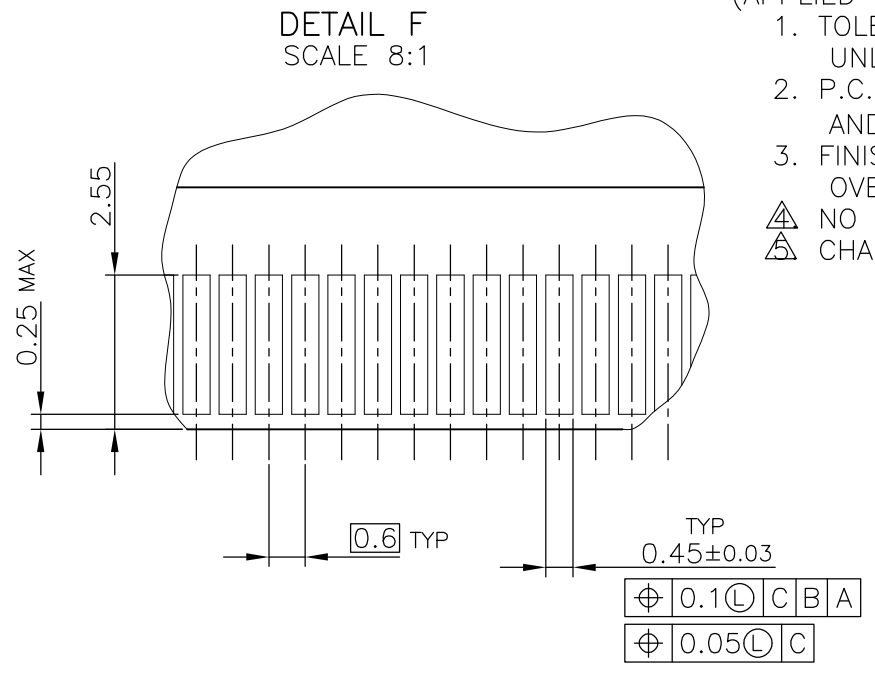
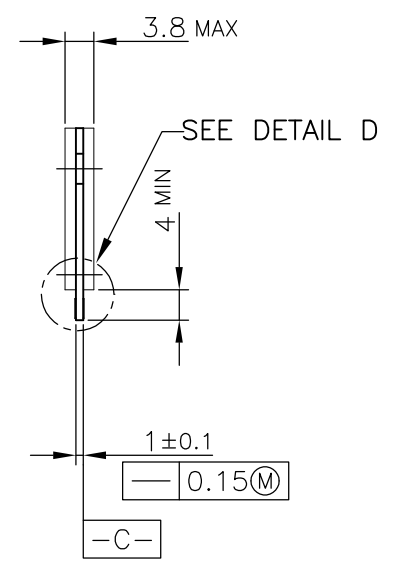
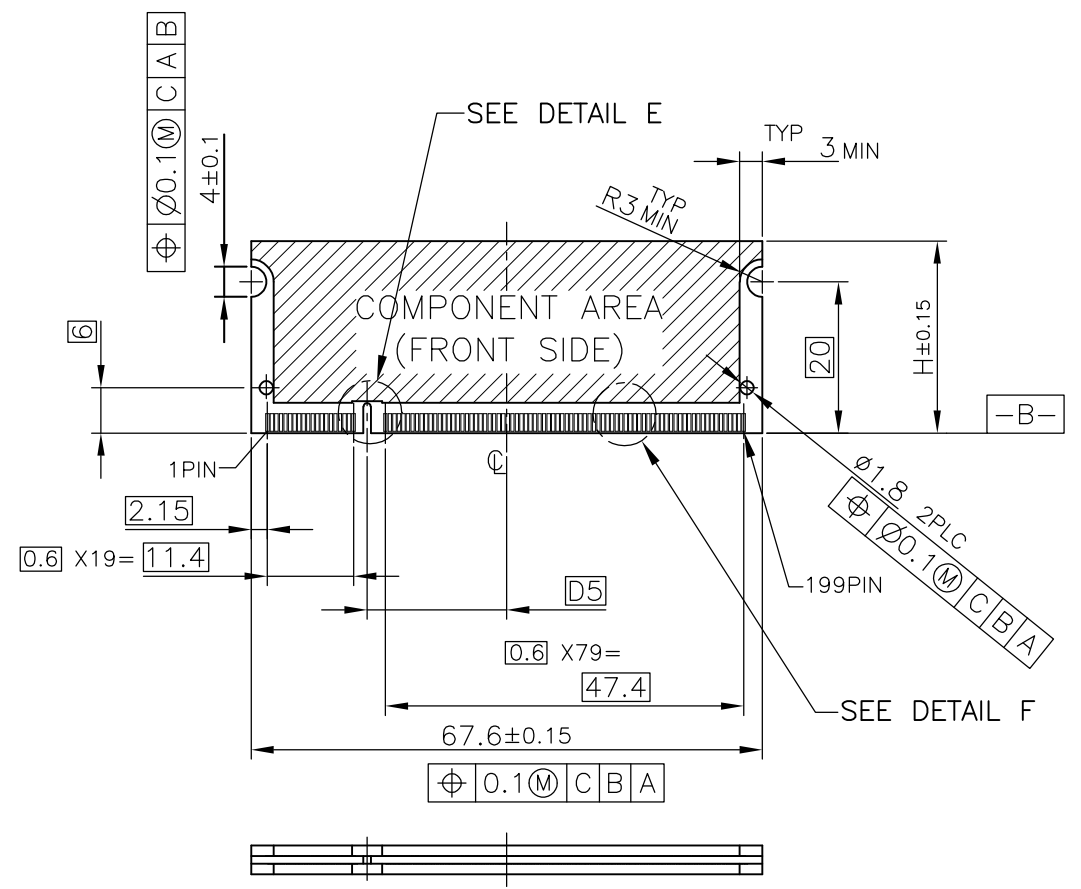


1.8V	17.55	2.4	2.7
2.5V	18.45	1.5	1.8
POWER SUPPLY	D5	D4	D3

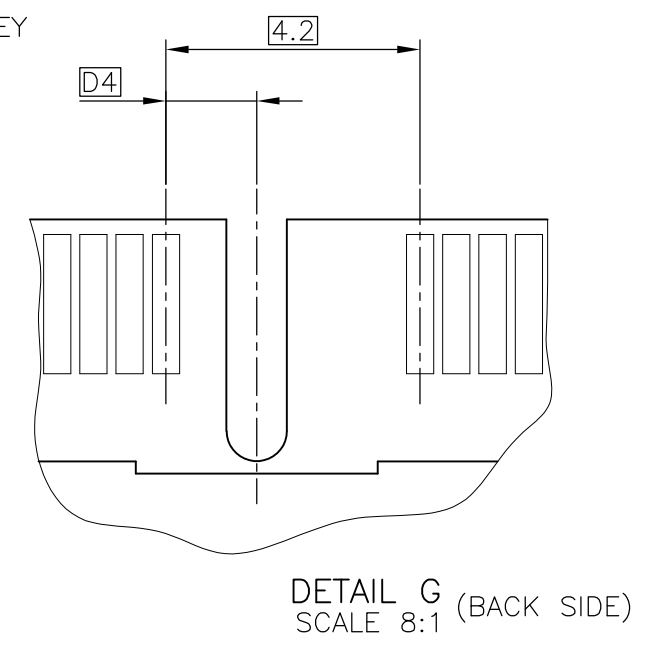
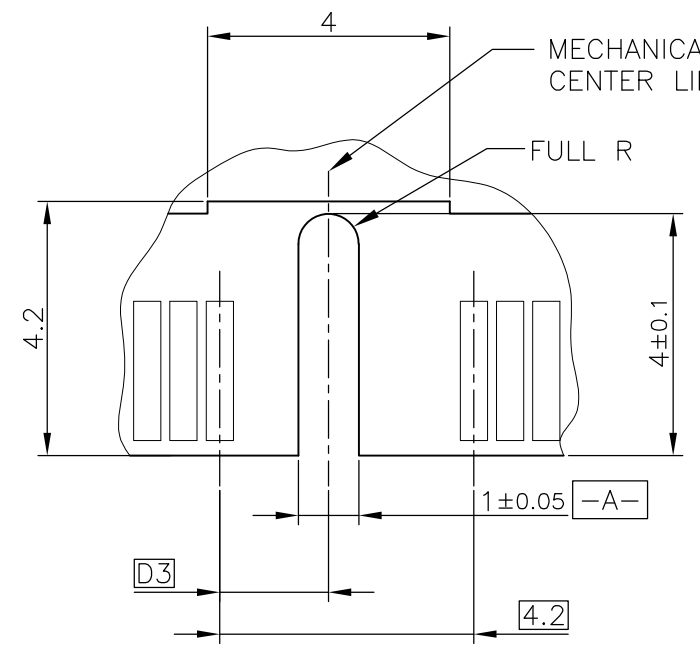
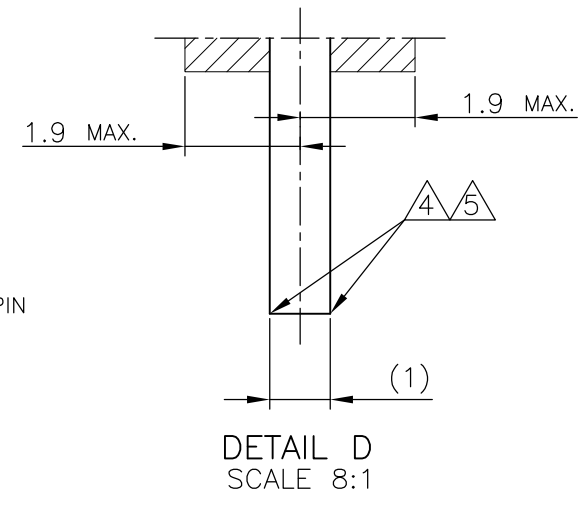
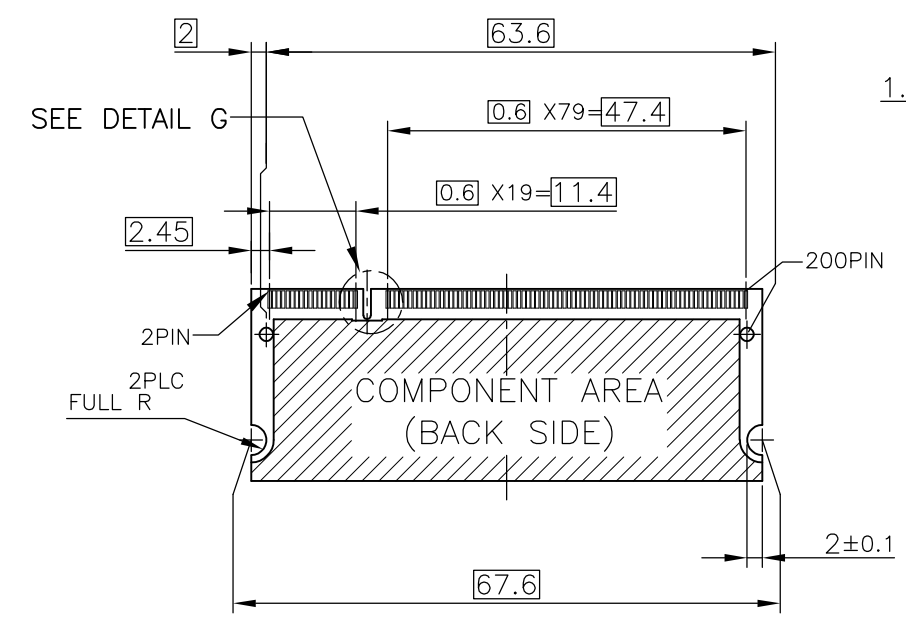
THIS DRAWING IS A CONTROLLED DOCUMENT.		DWN	STE TE Connectivity	
DIMENSIONS: MM		CHK		
TOLERANCES UNLESS OTHERWISE SPECIFIED:		APVD	NAME	
0 PLC	±	PRODUCT SPEC	DDR1 & DDR2 SODIMM SOCKET 0.6mm PITCH	
1 PLC	±	APPLICATION SPEC	200POS LOW PROFILE STANDARD TYPE	
2 PLC	±	WEIGHT	(LATCH DIRECT SOLDERING TYPE)	
3 PLC	±	CUSTOMER DRAWING	SIZE	CAGE CODE
4 PLC	±		A3	00779
ANGLES	±		DRAWING NO	RESTRICTED TO
FINISH	±		C-1827236	
MATERIAL		SCALE	SHEET	REV
		2:1	2 OF 4	R2

THIS DRAWING IS UNPUBLISHED. RELEASED FOR PUBLICATION NOV. 2004.
 © COPYRIGHT 2004 By - ALL RIGHTS RESERVED.

LOC	DIST	REVISIONS					
J		P	LTR	DESCRIPTION	DATE	DWN	APVD
		-		SEE SHEET 1	-	-	-



- (APPLIED TO SHEET 3)
1. TOLERANCES ON ALL DIMENSIONS ±0.15 UNLESS OTHERWISE SPECIFIED.
 2. P.C.BOARD THICKNESS APPLIES ACROSS TABS AND INCLUDES PLATING AND/OR METALIZATION.
 3. FINISH OF PAD : GOLD PLATING 0.00076 MIN. OVER Ni PLATING 0.002MIN.
- ▲ NO BURR
 △ CHAMFER 0.25 MAX x 45° IF EXIST.



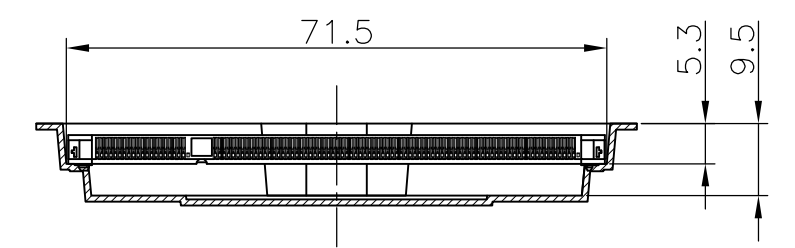
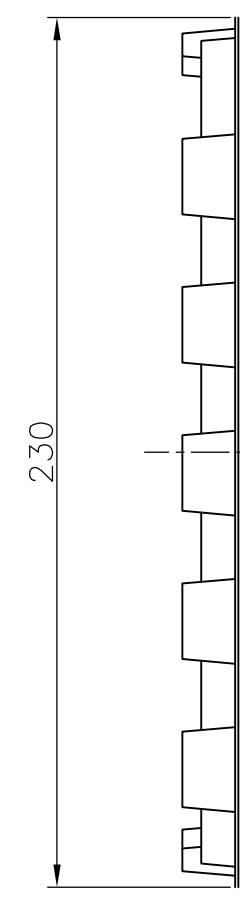
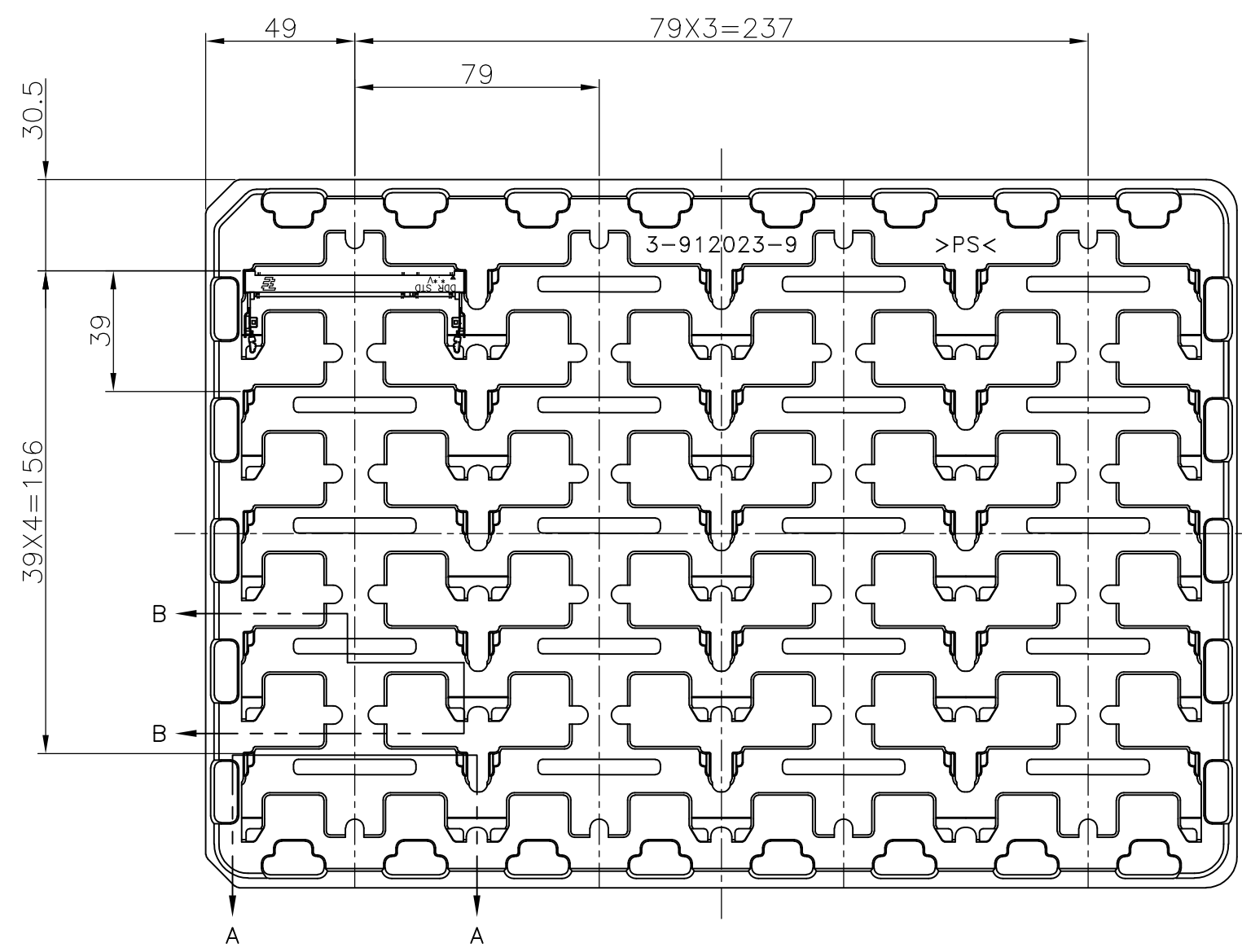
RECOMMENDED MATING P.C.B CONFIGURATION

31.75	1.8V	17.55	2.4	2.7
25.4	2.5V	18.45	1.5	1.8
H	POWER SUPPLY	D5	D4	D3

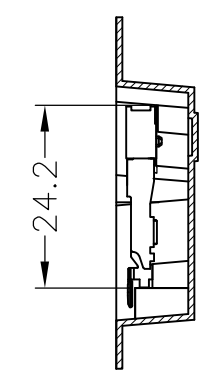
THIS DRAWING IS A CONTROLLED DOCUMENT.		DWN	TE Connectivity			
DIMENSIONS: MM		CHK				
TOLERANCES UNLESS OTHERWISE SPECIFIED:		APVD				
0 PLC ± 1 PLC ± 2 PLC ± 3 PLC ± 4 PLC ± ANGLES ± FINISH ±		NAME				
MATERIAL		PRODUCT SPEC	DDR1 & DDR2 SODIMM SOCKET 0.6mm PITCH 200POS LOW PROFILE STANDARD TYPE (LATCH DIRECT SOLDERING TYPE)			
		APPLICATION SPEC	SIZE	CAGE CODE	DRAWING NO	RESTRICTED TO
		WEIGHT	A300779		C-1827236	
		CUSTOMER DRAWING	SCALE	SHEET	REV	
			2:1	3 OF 4	R2	

THIS DRAWING IS UNPUBLISHED. RELEASED FOR PUBLICATION NOV. 2004.
 © COPYRIGHT 2004 By - ALL RIGHTS RESERVED.

LOC	DIST	REVISIONS			
P	LTR	DESCRIPTION	DATE	DWN	APVD
J		SEE SHEET 1	-	-	-



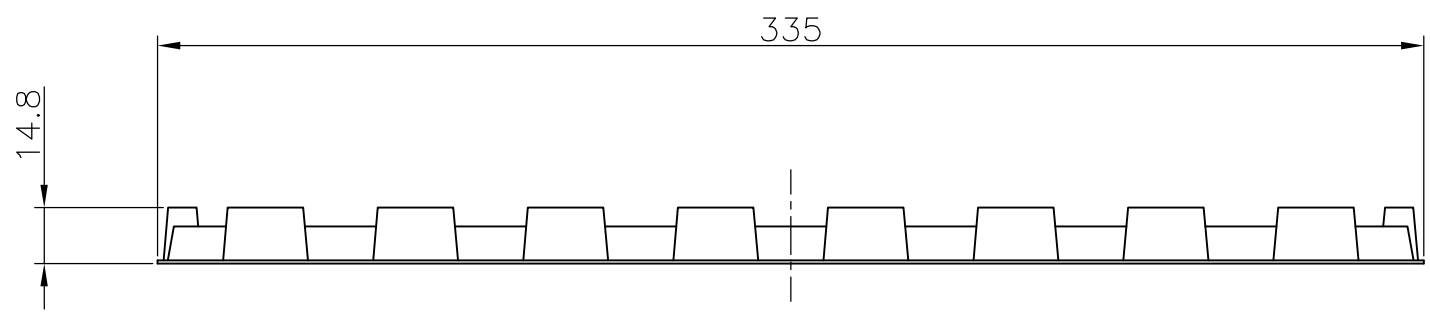
A-A
SCALE 1:1
(180DEG. ROTATE)



B-B
SCALE 1:1

1. THE DIRECTION OF EACH CONNECTOR ON A TRAY IS REFERRED TO THIS DRAWING.
2. GENERAL TOLERANCE : ±0.5

AVAILABLE	20EA/TRAY	1827236-6
AVAILABLE	20EA/TRAY	3-1827236-4
AVAILABLE	20EA/TRAY	2-1827236-4
AVAILABLE	20EA/TRAY	1-1827236-4
AVAILABLE	20EA/TRAY	1827236-4
NOT AVAILABLE	20EA/TRAY	-
TOOLING STATUS	QTY	P/N



THIS DRAWING IS A CONTROLLED DOCUMENT.		DWN	TE Connectivity					
DIMENSIONS: MM		CHK				NAME		
TOLERANCES UNLESS OTHERWISE SPECIFIED: 0 PLC ± 1 PLC ± 2 PLC ± 3 PLC ± 4 PLC ± ANGLES ± FINISH ±		APVD				SEMI-HARD TRAY ASSY		
MATERIAL		PRODUCT SPEC				DDR1 & DDR2 SODIMM SOCKET 200P LOW PROFILE STANDARD TYPE (LATCH DIRECT SOLDERING TYPE)		
		APPLICATION SPEC	SIZE	CAGE CODE	DRAWING NO	RESTRICTED TO		
		WEIGHT	A300779		C-1827236			
CUSTOMER DRAWING			SCALE	SHEET	REV			
			1:2	4 OF 4	R2			

单击下面可查看定价，库存，交付和生命周期等信息

[>>TE Connectivity\(泰科\)](#)