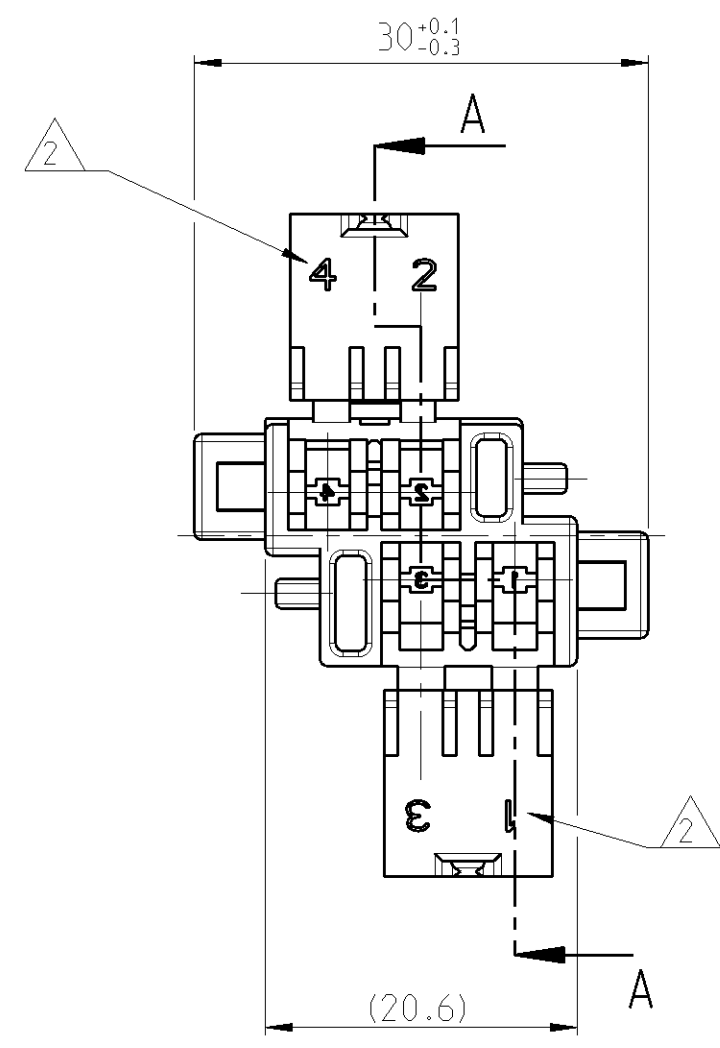
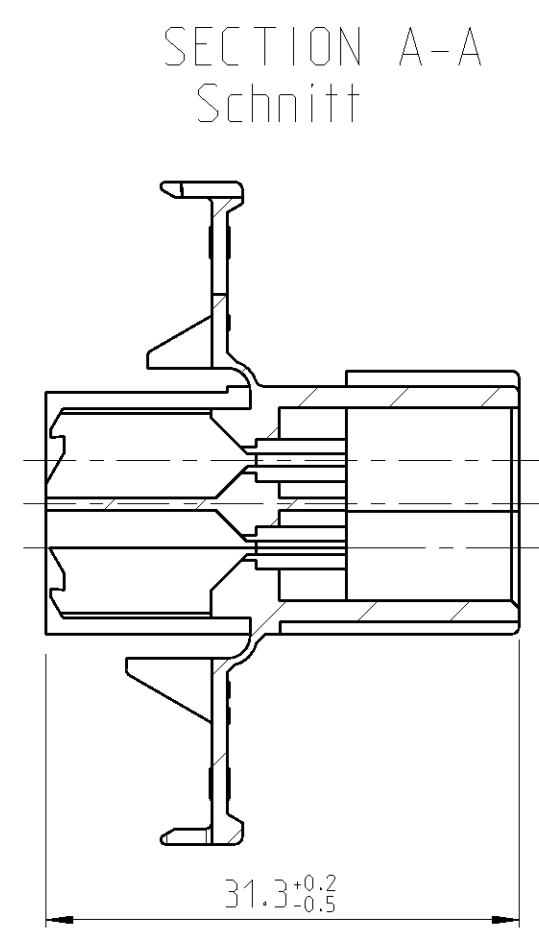
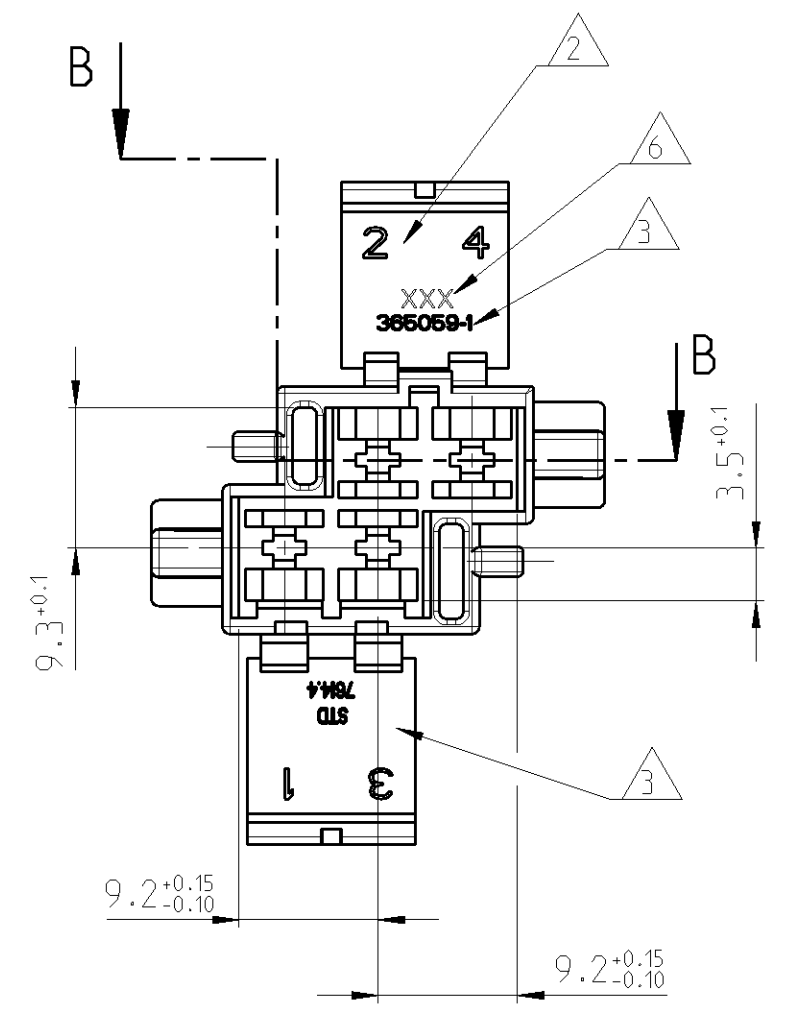
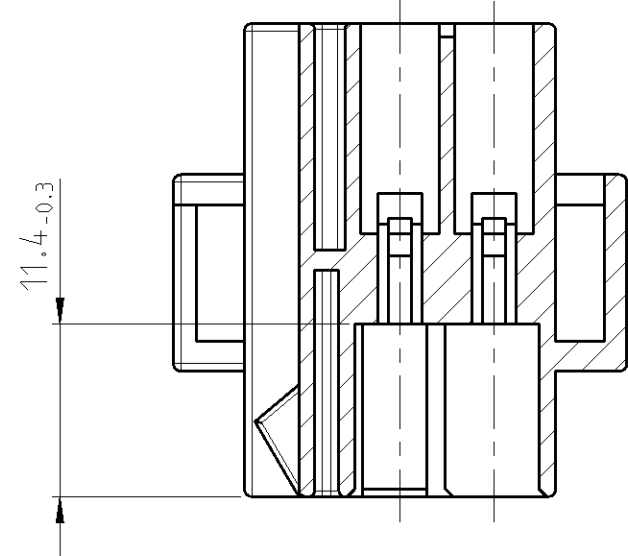


THIS DRAWING IS UNPUBLISHED. RELEASED FOR PUBLICATION 2012
 © COPYRIGHT 2012 Tyco Electronics AMP GmbH ALL RIGHTS RESERVED.

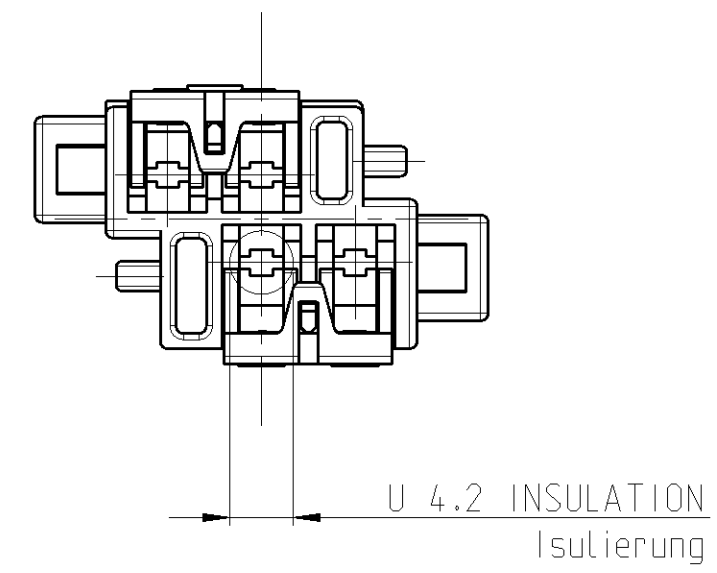
LOC		DIST		REVISIONS			
P	LTR	DESCRIPTION	DATE	DWN	APVD		
G2		Logo changed	30JAN2013	Ho.	Schin.		
G3		Revision in the titleblock adepted	01FEB2013	Ho.	Schin.		



SECTION B-B Schnitt

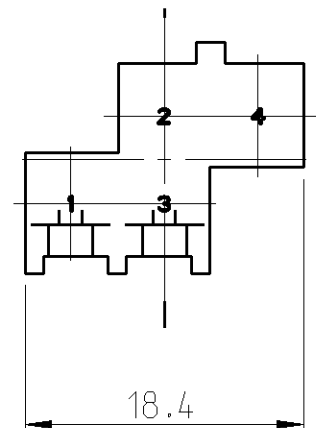


HOUSING WITH CLOSED FLAP
 Gehaeuse mit geschlossener Klappe

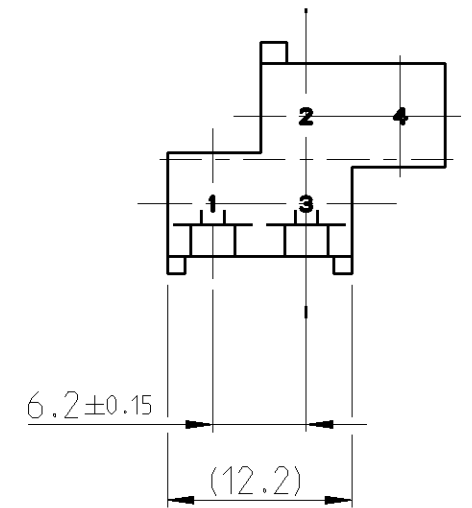


- 1 MATERIAL Y COLORES HAN DE ESTAR LIBRES DE CADMIO
 Material und Farbbatch muss cadium frei sein
- 2 CHARACTER HEIGHT 2
 Schrifthoehe 2
- 3 CHARACTER HEIGHT 1
 Schrifthoehe 1
- 4 FITTING WITH 365060
 Passend zu 365060
- 5 PARTS MUST BE AIR TIGHT PACKAGED, MOISTURE CONTENT MUST BE 2.5±1%
 Teile muessen luftdicht verpackt sein, die Feuchte muss 2.5±1% betragen
- 6 LOGO ACC. TO TE SPEC TEC-202-36;
 0.15 RAISED
 Firmenlogo entsprechend TE Spec TEC-202-36;
 0.15 erhaben

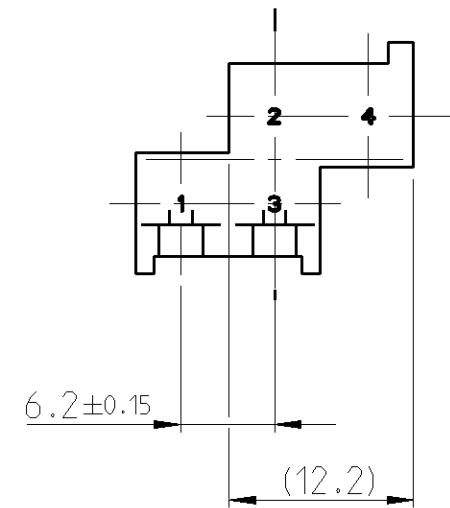
CODING 1
 Kodierung



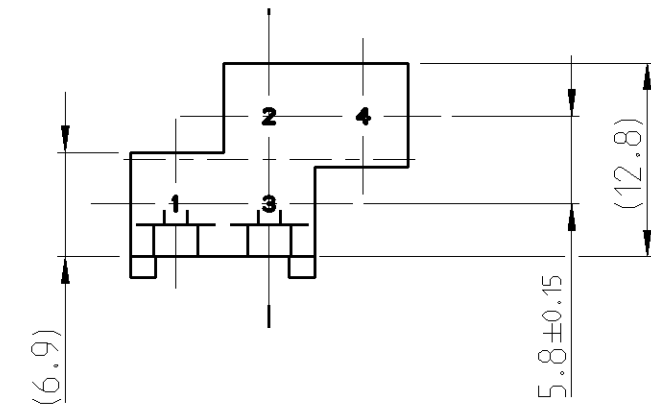
CODING 2
 Kodierung



CODING 3
 Kodierung



CODING 4
 Kodierung



Code NO.	Part Number	Material	Finish Colour
CODE 4	365059-4	PA 6.6	YELLOW
CODE 3	365059-3	PA 6.6	BLACK
CODE 2	365059-2	PA 6.6	GREY
CODE 1	365059-1	PA 6.6	NATUR

THIS DRAWING IS A CONTROLLED DOCUMENT.		DWN R.ULLRICH 22NOV84	TE Connectivity NAME 4 POS. TAB HOUSING		
DIMENSIONS: mm		CHK J.PASCUAL 15JUN93			APVD L.BATILLO 15JUN93
TOLERANCES UNLESS OTHERWISE SPECIFIED:		PRODUCT SPEC - APPLICATION SPEC - WEIGHT - Customer Drawing			
0 PLC ± 1 PLC ± 2 PLC ± ±0.2 3 PLC ± 4 PLC ± ANGLES ±° FINISH		SIZE A2 CAGE CODE 00779 DRAWING NO C-365059 RESTRICTED TO - SCALE 2:1 SHEET 1 OF 1 REV G3			

单击下面可查看定价，库存，交付和生命周期等信息

[>>TE Connectivity\(泰科\)](#)