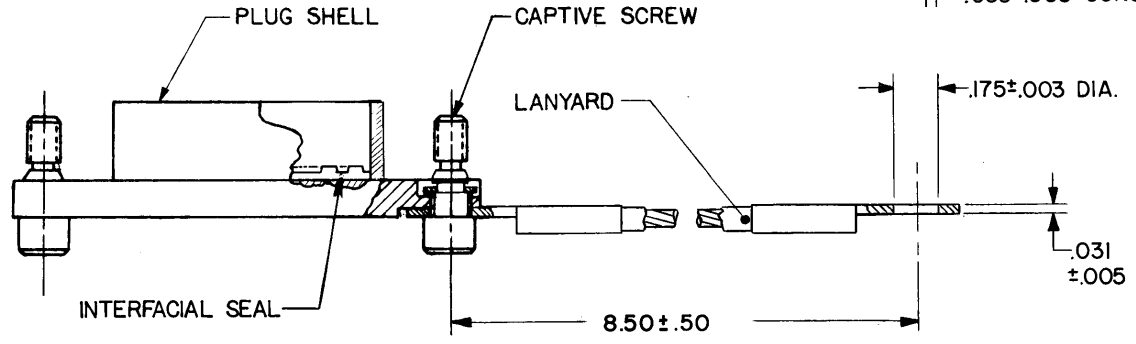
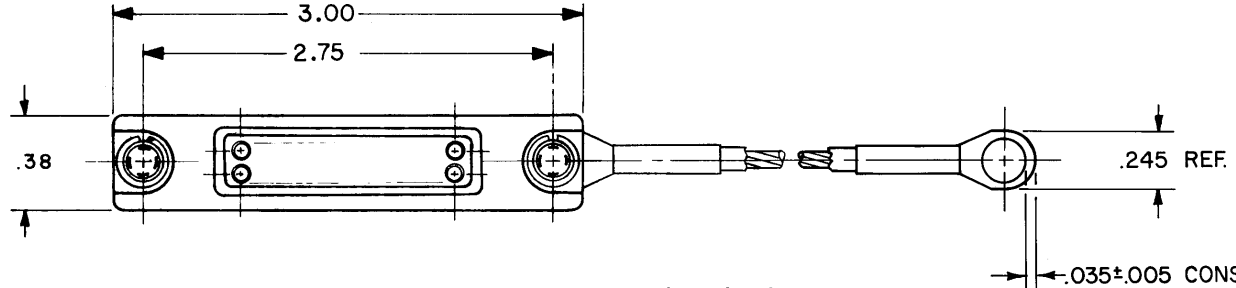
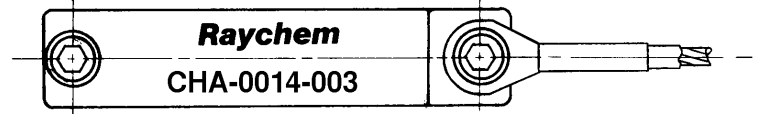


REVISIONS			
LTR	DESCRIPTION	DATE	APPROVED
NC	INITIAL RELEASE PER DCR# T-30073	9/25/2001	M.HIGGY



NOTES:

- SEALING:
PROTECTIVE CAP DESIGNED TO ENVIRONMENTALLY SEAL THE MATING RECEPTACLE CONNECTOR, 2" MTC 100 SERIES WITH SOCKET CONTACTS.
- MATERIALS AND FINISHES:
PLUG SHELL: ALUMINUM ALLOY PER QQ-A-591
CADMIUM PLATED PER QQ-P-416
OVER NICKEL UNDERPLATE
INTERFACIAL SEAL:
SILICONE ELASTOMER PER MIL-R-25988
LANYARD: STAINLESS STEEL
CADMIUM PLATED PER-QQ-P-416
CAPTIVE SCREW: STAINLESS STEEL PER
QQ-S-763, 300 SERIES
CADMIUM PLATED PER-QQ-P-416



SPECIFICATION CONTROL DRAWING

UNLESS OTHERWISE SPECIFIED DIMENSIONS ARE IN INCHES AND TOLERANCES ARE: .XXX : ± .010 .XX : ± .015 — : ± .020	DRAWN	ZSOFIA O. 9/25/2001	TYCO/ELECTRONICS/RAYCHEM		WIRE AND HARNESSING PRODUCTS 307 CONSTITUTION DRIVE MENLO PARK, CALIFORNIA 94025	
	CHECKED		TITLE		PROTECTIVE CAP, PLUG WITH PIN INSERT, CADMIUM PLATED 2-INCH MTC 100 SERIES	
	APPROVED	M.HIGGY. 9/25/2001	SIZE	CODE IDENT.	DWG. NO.	
MATERIAL	APPROVED		B	NO. 06090	CHA-0014-003	
FINISH	APPROVED		CAD FILE:	T30073.tif	SCALE	WEIGHT
	RPN:	757110				SHEET OF

If this document is printed it becomes uncontrolled.
Check with the web for latest revision.

单击下面可查看定价，库存，交付和生命周期等信息

[>>TE Connectivity\(泰科\)](#)