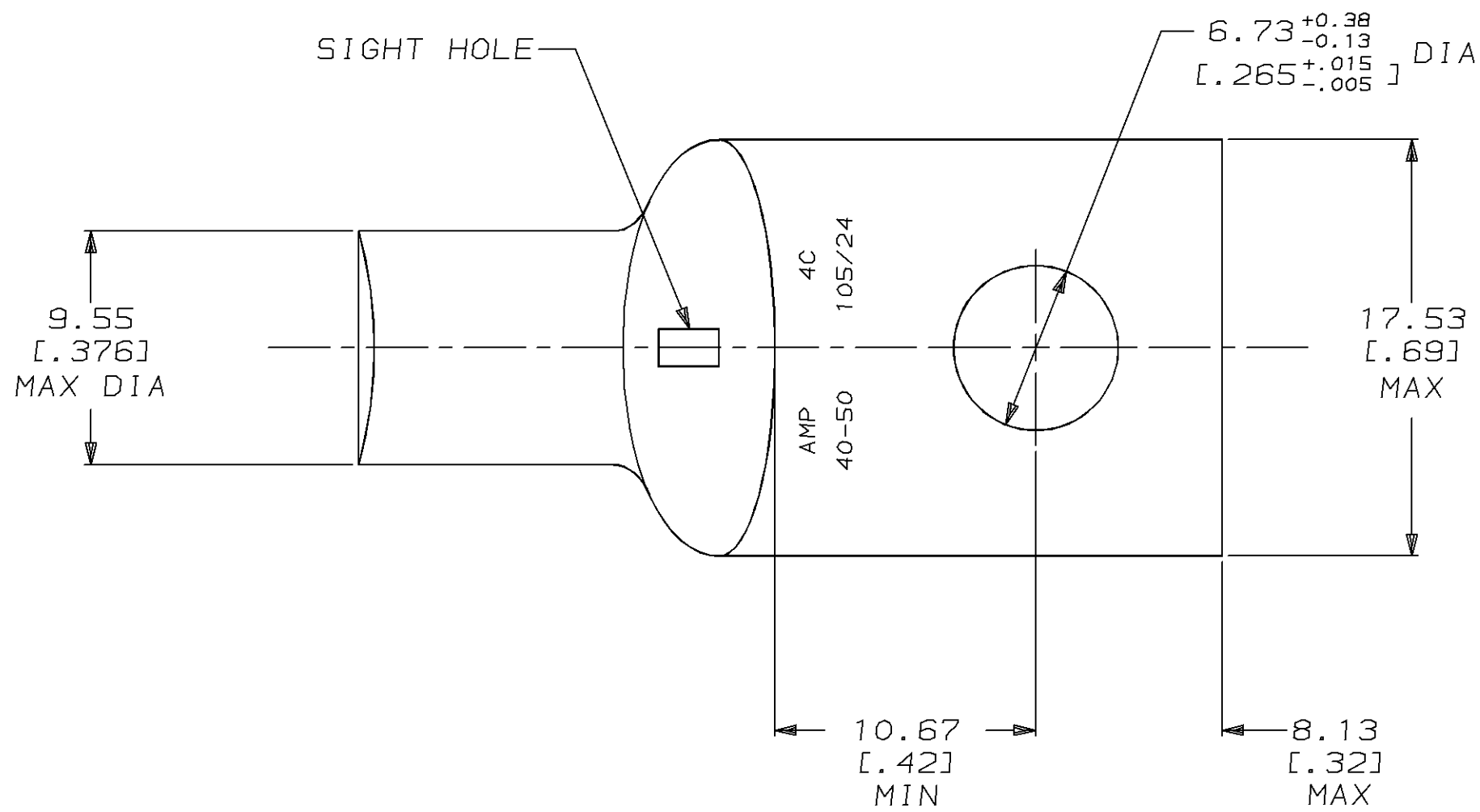
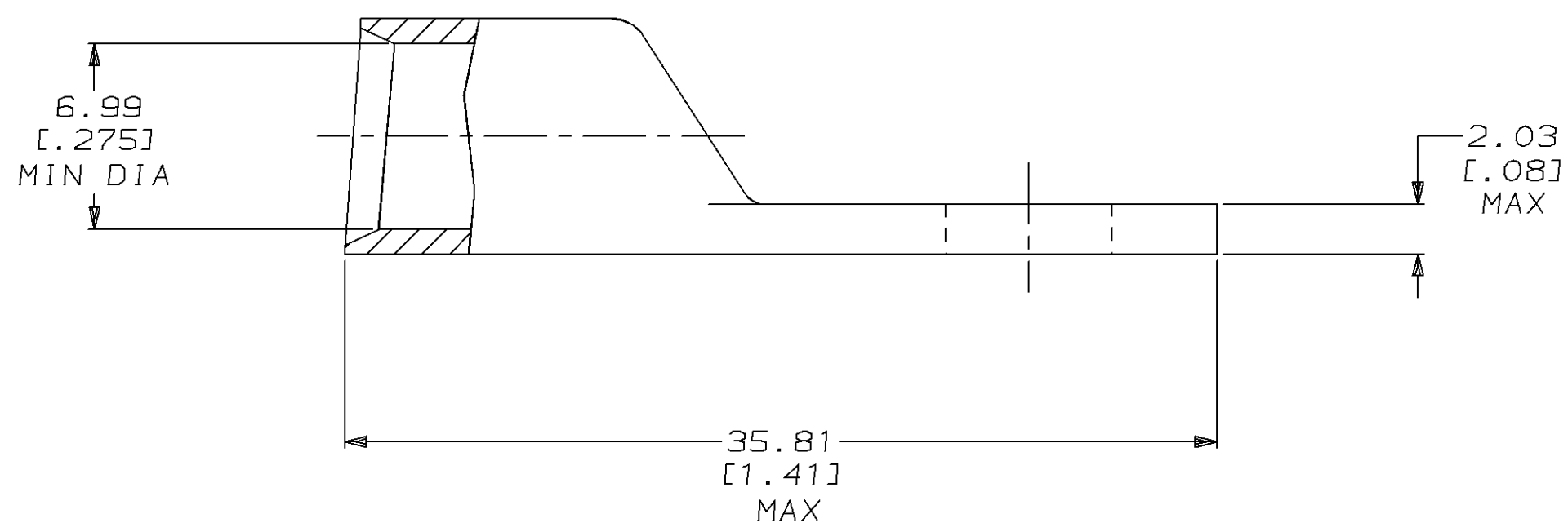


LOC		DIST		P		F		ZONE		LTR		REVISIONS		DATE	APPD
G		86								S		REV & REDRA PER G-5357		02/28/90	DKS



1 CIRCULAR MIL AREA RANGE: 33,100-52,600 CM
 2 TIN PL 0.00381 [0.000150] MIN THK PER MIL-T-10727



METRIC

DO NOT SCALE PRINT. UNLESS SPECIFIED DIMENSIONS IN mm [INCHES] TOLERANCES ON:		DR 02/28/90 DK SCHRUM		328162	
2 PLC DEC ± 0.51 [0.020]		CHK 19JAN95 MS FEHER		PART NO	
3 PLC DEC ± -		APPD 19JAN95 WJ VOCKROTH		AMP INCORPORATED Harrisburg, Pa. 17105	
ANGLES ± -		APPD 19JAN95 TL SHUTTER		NAME	
MATERIAL		PRODUCT SPEC		TERMINAL, AMPPOWER™, WIRE SIZE: 4 AWG	
ANNEALED COPPER ASTM B-152		108-30200		SIZE	
FINISH		APPLICATION SPEC		CAGE CODE	
-		-		00779	
-		WEIGHT		DRAWING NO	
-		.017 LB		328162	
-		SCALE		SHEET	
-		4:1		1 OF 1	

单击下面可查看定价，库存，交付和生命周期等信息

[>>TE Connectivity\(泰科\)](#)