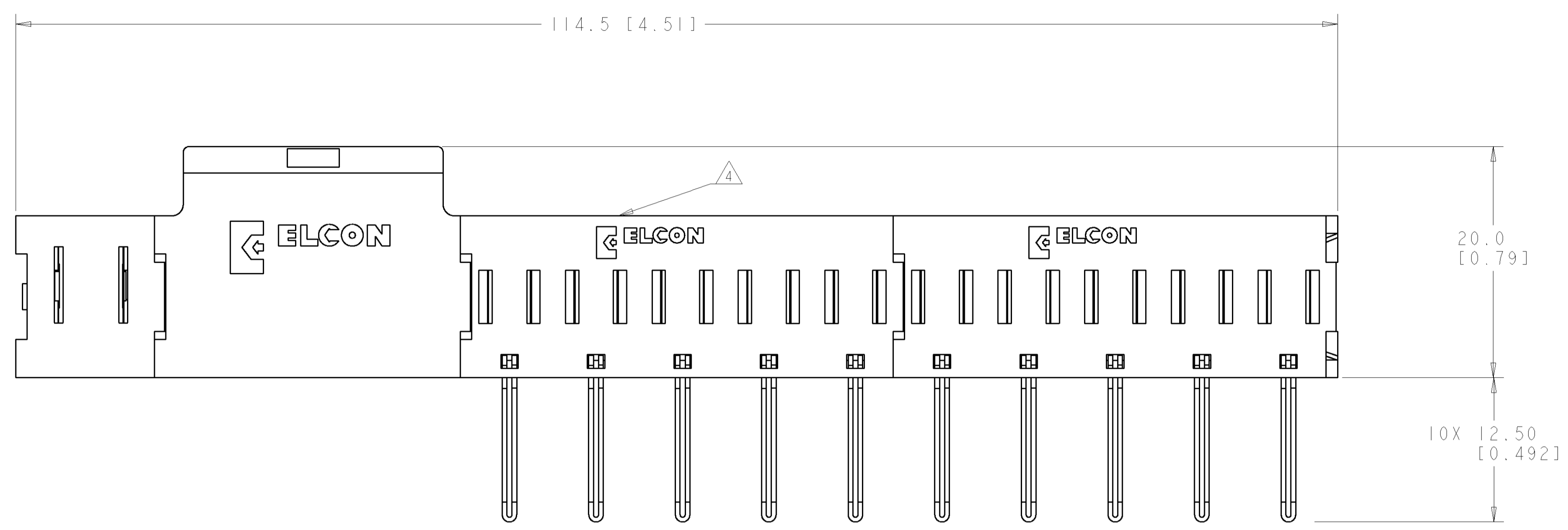


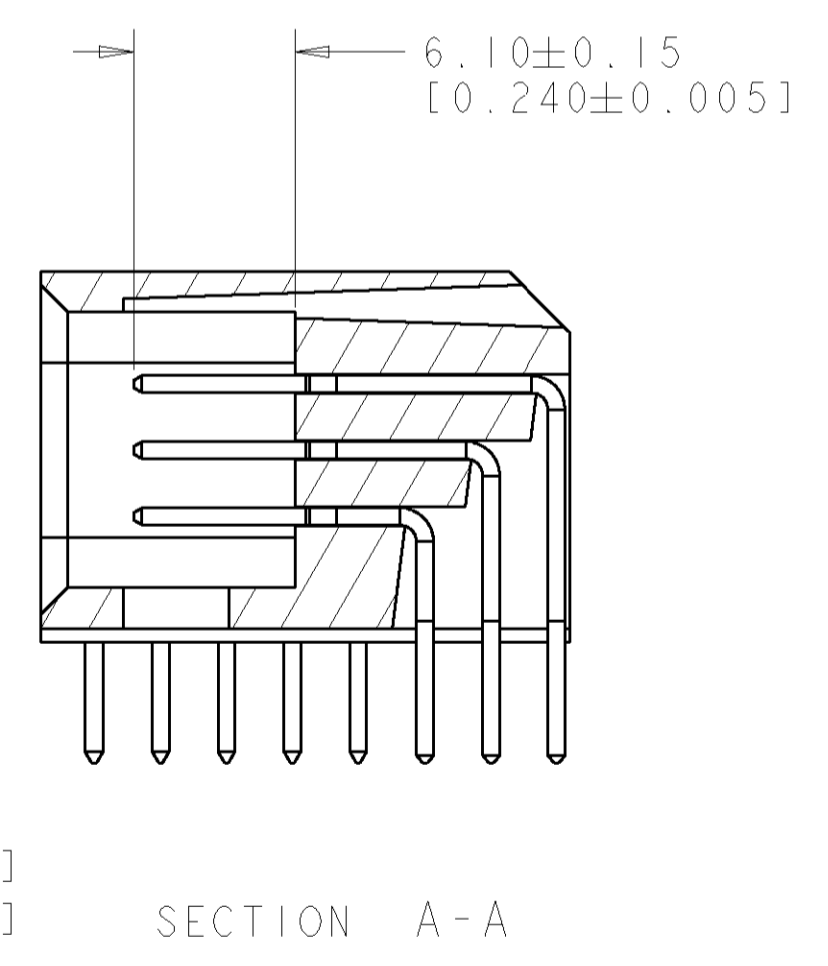
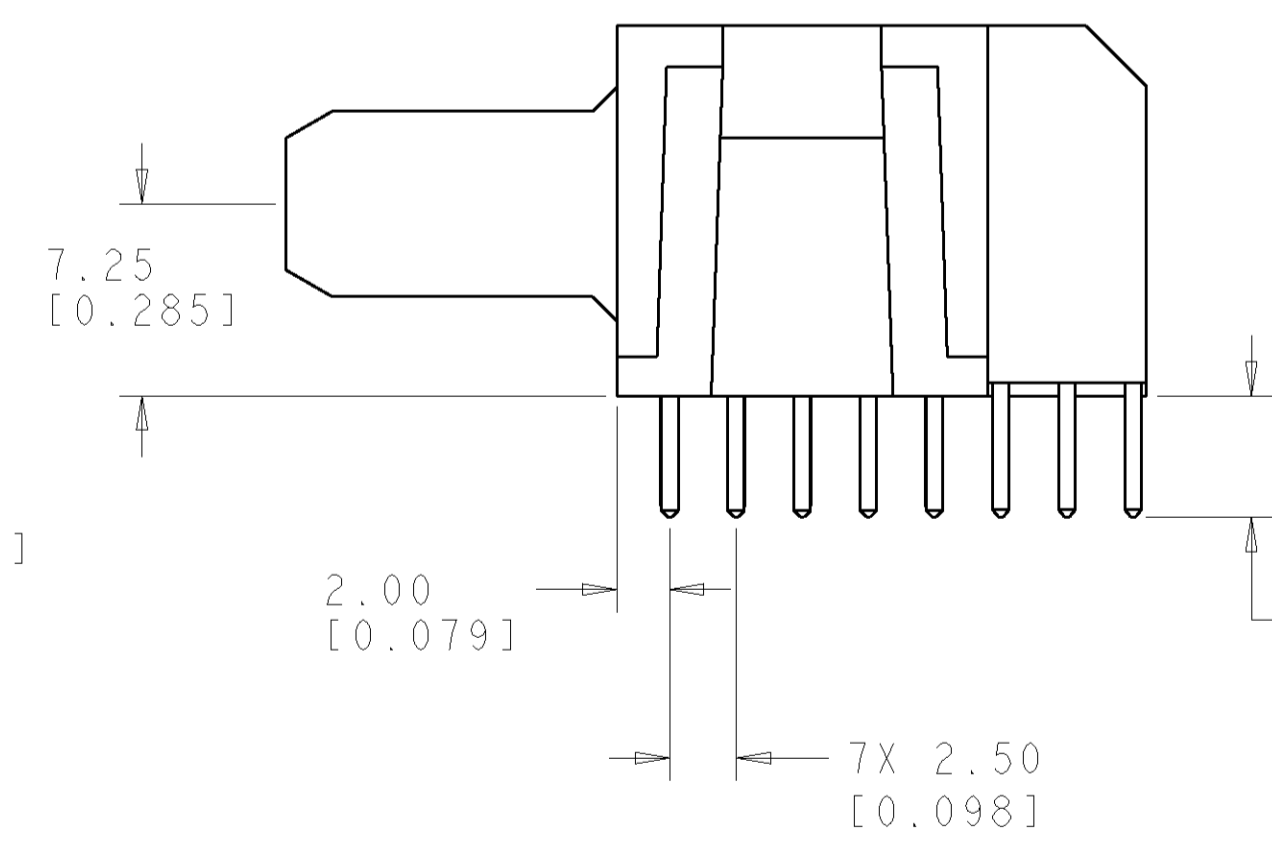
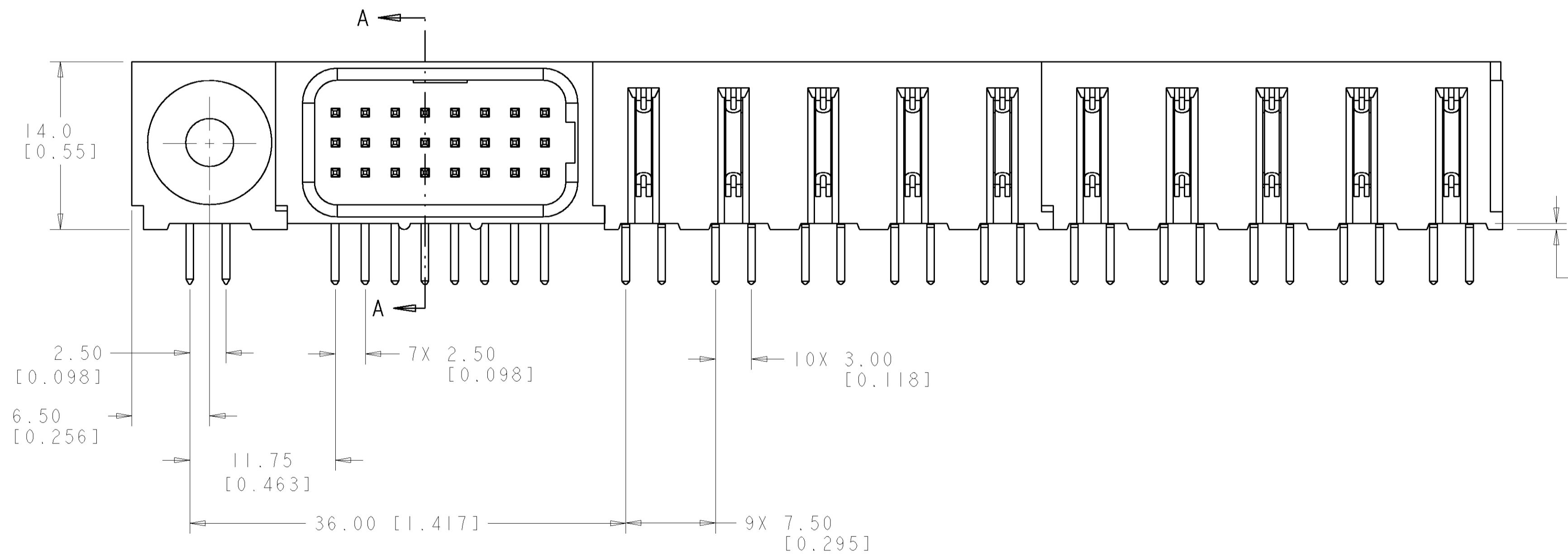
LOC	DIST	REVISIONS					
GP	00	P	LTR	DESCRIPTION	DATE	DWN	APVD
		A		RELEASED	12FEB2007	RG	PD



- PART NUMBER CHANGES AND OR DESIGN CHANGES AFFECTING ITEM INTERCHANGEABILITY REQUIRE PRIOR TYCO APPROVAL AND AUTHORIZATION BY REVISION TO THIS DRAWING.
- MATERIAL:
  - INSULATORS - THERMOPLASTIC, GLASS REINFORCED, COLOR: BLACK, UL94V-0 FLAMMABILITY RATED.
  - SIGNAL CONTACTS: PHOSPHOR BRONZE ALLOY
  - POWER CONTACTS - PHOSPHOR BRONZE ALLOY, COPPER ALLOY
  - CROWN BANDS: BERYLLIUM COPPER ALLOY
- FINISH:
  - CONTACTS - GOLD PLATE .76µm MIN. THK., OVER NICKEL
  - 1.27µm MIN. THK.
  - SOLDER TAILS TIN 3.05µm MIN. THK. OVER NICKEL
  - 1.27µm MIN. THK.

ITEMS PROVIDED TO THIS SPECIFICATION TO BE PERMANENTLY IDENTIFIED PER THE FOLLOWING IDENTIFIER LABEL

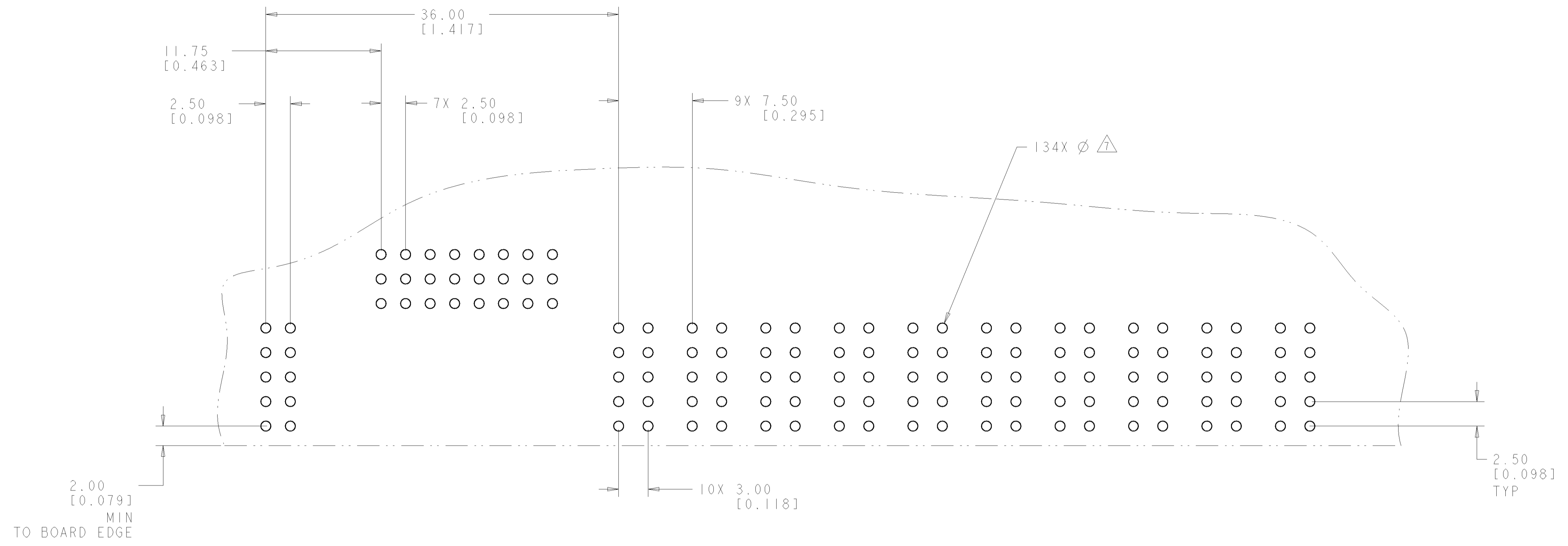
YEAR WEEK  
 TYCO PART NO. DATE CODE (e.g. 0106)  
 XXXXXXXX-X XXXX



ELCON FLATPAQ

AS SHOWN		6646907-1	
DESCRIPTION		PART NUMBER	
DIMENSIONS: mm [INCHES] TOLERANCES UNLESS OTHERWISE SPECIFIED: 0 PLC ±.5 [0.020] 1 PLC ±.5 [0.020] 2 PLC ±.25 [0.010] 3 PLC ±.25 [0.010] 4 PLC ±.25 [0.010] ANGLES ±.5		DWN: R. GRZYBOWSKI 9FEB07 CHK: P. DAMATO 9FEB07 APVD: S. FLICKINGER 9FEB07 PRODUCT SPEC: - APPLICATION SPEC: - WEIGHT: - CUSTOMER DRAWING: -	
MATERIAL: - FINISH: -		Tyco Electronics Harrisburg, PA 17105-3608 PIN CONNECTOR ASSEMBLY RIGHT ANGLE SOLDER TAILS SIZE: A   00779   C=6646907 SCALE: 4:1 SHEET 1 OF 3 REV A	

LOC	DIST	REVISIONS			
P	LTR	DESCRIPTION	DATE	DWN	APVD
-	-	SEE SHEET 1	-	-	-

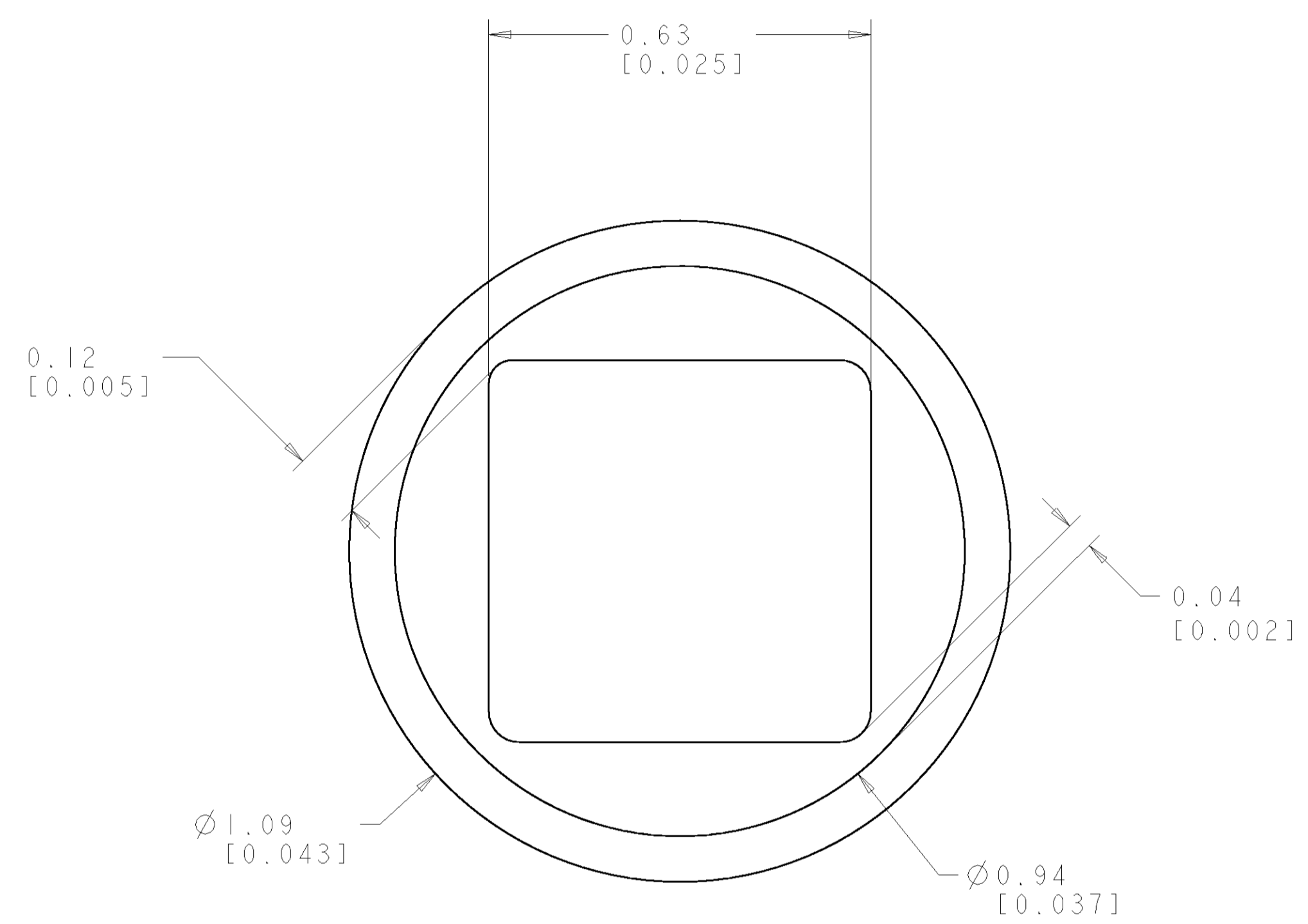
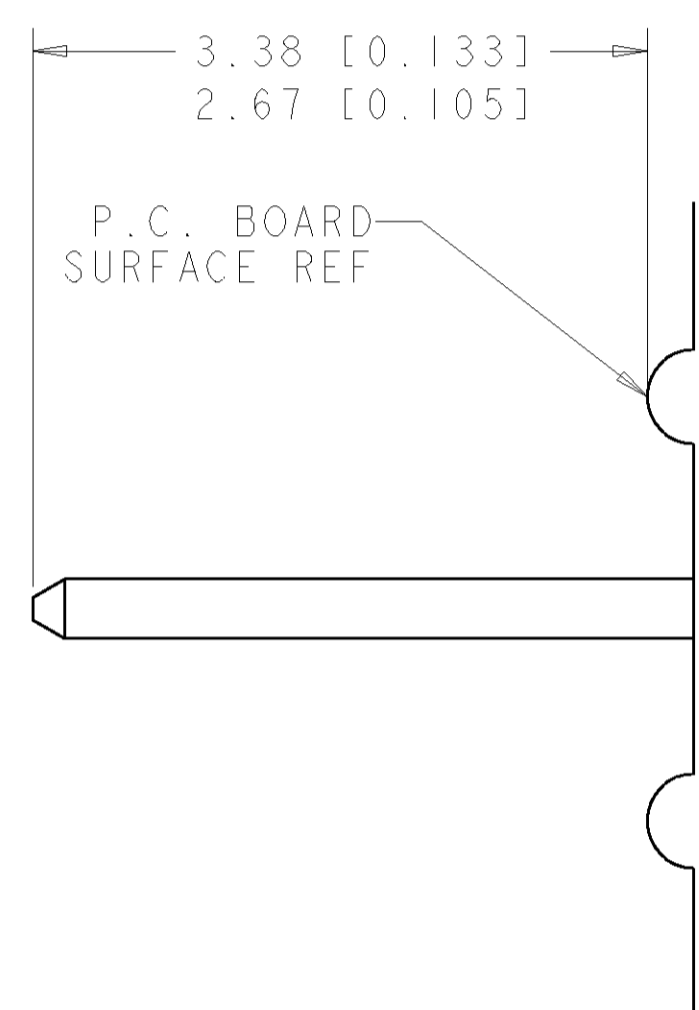


PRINTED CIRCUIT LAYOUT  
 COMPONENT SIDE

CONNECTOR	CATALOG MODULE #	QTY	SIZE NO.	CONTACT QTY	MATING PIN	MAX. CURRENT (PER CONTACT)	CONTACT SPACING	VOLTAGE RATING
PIN	FP302	1	22	24	.64 [0.025] SO.	3 amps	2.50 [0.0984]	125
	FP152	10	8	20	1.25 X 7.00 [0.049 X .276]	35 amps	7.50 [0.2953]	250
	FP516	1	RIGHT ANGLE GUIDE SOCKET					

DIMENSIONS: mm [INCHES] TOLERANCES UNLESS OTHERWISE SPECIFIED: 0 PLC ±.5 [0.020] 1 PLC ±.5 [0.020] 2 PLC ±.25 [0.010] 3 PLC ±.25 [0.010] 4 PLC ±.25 [0.010] ANGLES ±.5		DWN: R. GRZYBOWSKI 9FEB07 CHK: P. DAMATO 9FEB07 APVD: S. FLICKINGER 9FEB07		<b>tyco</b> Tyco Electronics Harrisburg, PA 17105-3608	
MATERIAL: - FINISH: -		PRODUCT SPEC: - APPLICATION SPEC: - WEIGHT: - CUSTOMER DRAWING		NAME: PIN CONNECTOR ASSEMBLY RIGHT ANGLE SOLDER TAILS SIZE: A   00779   C=6646907 SCALE: 4:1 SHEET 2 OF 3 REV A	

LOC		DIST		REVISIONS			
P	LTR	DESCRIPTION	DATE	DNW	APVD		
-	-	SEE SHEET 1	-	-	-		



6. SOLDER PIN DETAIL  
 SCALE 10 : 1

**SOLDER TERMINATION AREA**  
 SCALE 40:1  
 RECOMMENDED PRINTED CIRCUIT HOLE  
 FINISHED HOLE:  $\varnothing 1.02$  [0.040] ± .08 [0.003]  
 DRILLED HOLE:  $\varnothing 1.15$  [0.0453] ± .013 [0.0005]  
 COPPER PLATE: .025 [0.0010] MIN. (PER SURFACE)  
 TIN PLATE: .008 [0.0003] MIN. (PER SURFACE)

ELCON FLATPAQ

<small>THIS DRAWING IS UNPUBLISHED. RELEASED FOR PUBLICATION. THIS DRAWING IS THE PROPERTY OF TYCO ELECTRONICS CORPORATION. IT IS TO BE USED ONLY FOR THE PURPOSES AND ORGANIZATION SPECIFICALLY INTENDED. IT IS NOT TO BE REPRODUCED OR TRANSMITTED IN ANY FORM OR BY ANY MEANS, ELECTRONIC OR MECHANICAL, WITHOUT PERMISSION IN WRITING FROM TYCO ELECTRONICS CORPORATION.</small>		DWN R. GRZYBOWSKI 9FEB07 CHK P. DAMATO 9FEB07 APVD S. FLICKINGER 9FEB07	<b>tyco</b> Electronics Tyco Electronics Harrisburg, PA 17105-3608
DIMENSIONS: mm [INCHES]	TOLERANCES UNLESS OTHERWISE SPECIFIED: 0 PLC ± 1 PLC ±.5 [0.020] 2 PLC ±.25 [0.010] 3 PLC ± 4 PLC ± ANGLES ±.5 FINISH -	NAME PIN CONNECTOR ASSEMBLY RIGHT ANGLE SOLDER TAILS	SIZE CAGE CODE DRAWING NO RESTRICTED TO A 100779 C=6646907 -
MATERIAL - FINISH -	WEIGHT - CUSTOMER DRAWING	SCALE 4:1 SHEET 3 OF 3 REV A	

单击下面可查看定价，库存，交付和生命周期等信息

[>>TE Connectivity\(泰科\)](#)