

THIS DRAWING IS UNPUBLISHED.

RELEASED FOR PUBLICATION

-. -. .

© COPYRIGHT - By -

ALL RIGHTS RESERVED.

LOC
AD

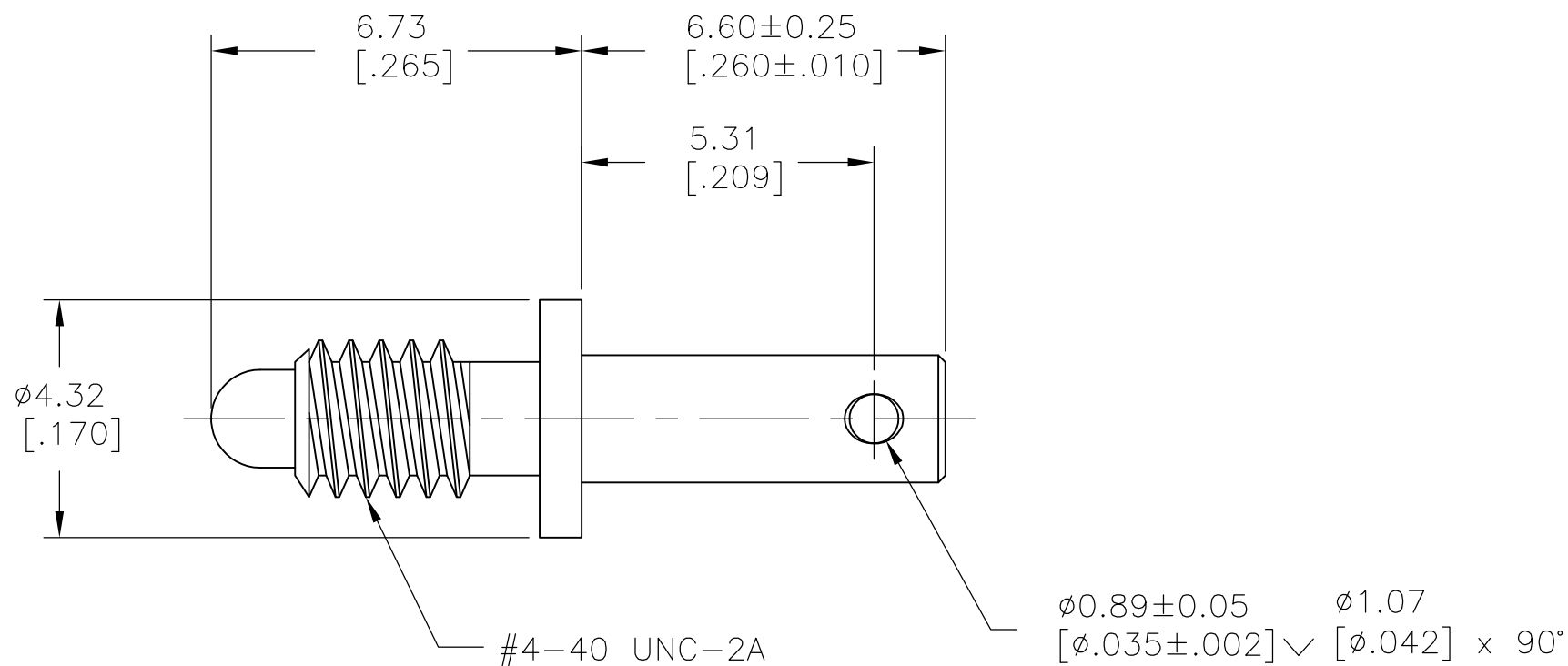
DIST
26

REVISIONS


P	LTR	DESCRIPTION	DATE	DWN	APVD
	A	NEW DRAWING	10JAN12	KH	AS

1 MATERIAL: STAINLESS STEEL.

2 FINISH: PASSIVATED.



598196-2
PART NUMBER

THIS DRAWING IS A CONTROLLED DOCUMENT.		DWN KIRAN HOLAL 10JAN12	 TE Connectivity														
DIMENSIONS: mm [INCHES]		CHK ALEXANDER SHARPE 10JAN12															
TOLERANCES UNLESS OTHERWISE SPECIFIED:		APVD ALEXANDER SHARPE 10JAN12	NAME														
<table border="0"> <tr><td>0 PLC</td><td>± -</td></tr> <tr><td>1 PLC</td><td>± -</td></tr> <tr><td>2 PLC</td><td>± -</td></tr> <tr><td>3 PLC</td><td>± 0.13 [.005]</td></tr> <tr><td>4 PLC</td><td>± -</td></tr> <tr><td>ANGLES</td><td>± -</td></tr> </table>		0 PLC	± -	1 PLC	± -	2 PLC	± -	3 PLC	± 0.13 [.005]	4 PLC	± -	ANGLES	± -	PRODUCT SPEC	JACKSCREW, MALE HDI		
0 PLC	± -																
1 PLC	± -																
2 PLC	± -																
3 PLC	± 0.13 [.005]																
4 PLC	± -																
ANGLES	± -																
MATERIAL		APPLICATION SPEC	SIZE	CAGE CODE	DRAWING NO	RESTRICTED TO											
FINISH		WEIGHT	A3	00779	C-598196	-											
<p>1</p> <p>2</p>		CUSTOMER DRAWING		SCALE	SHEET	REV											
				8:1	1 OF 1	A											

单击下面可查看定价，库存，交付和生命周期等信息

[>>TE Connectivity\(泰科\)](#)