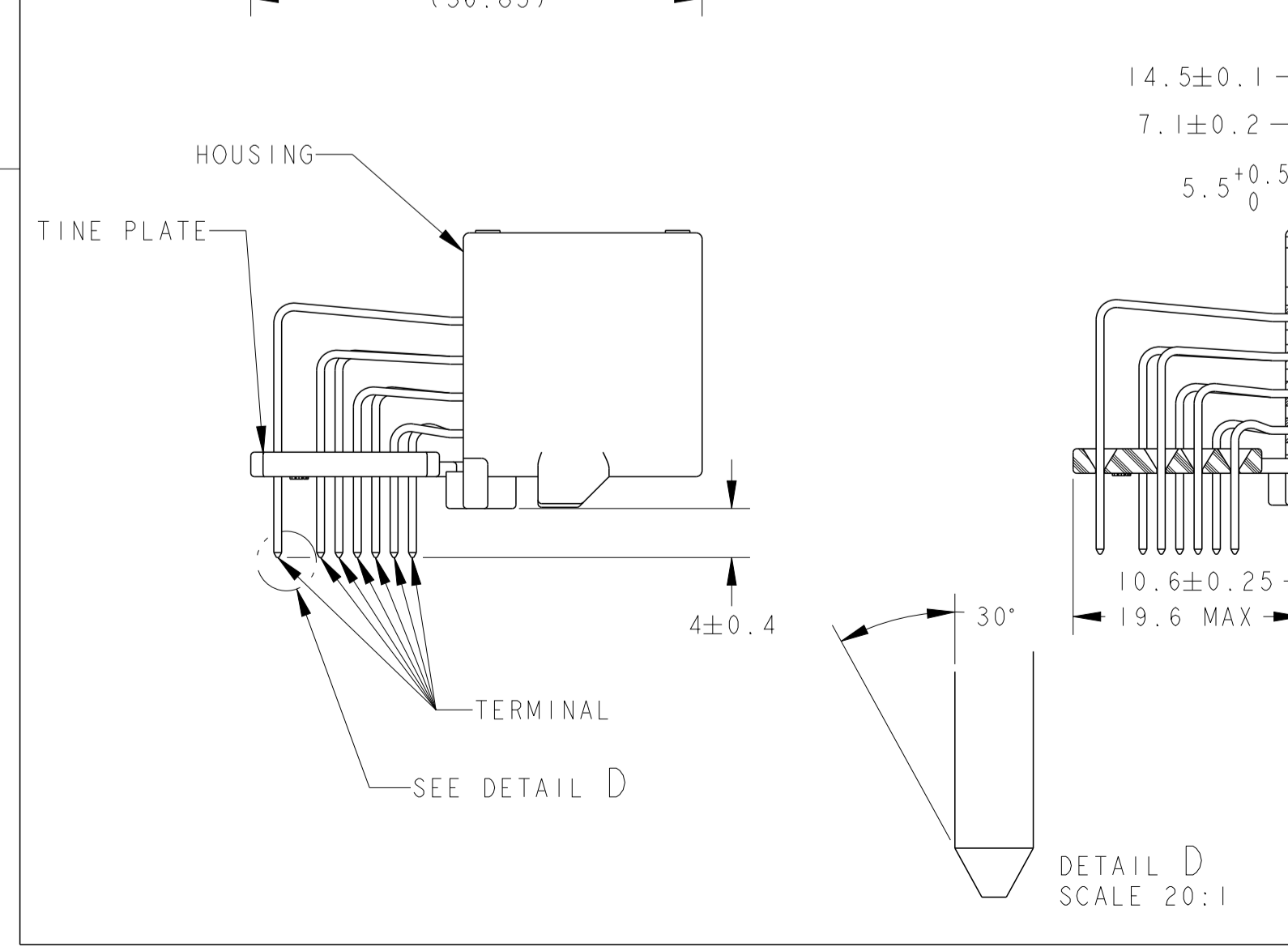


DIMENSIONS FOR PCB (CONNECTOR MOUNTING SIDE)
プリント基板取付寸法 (コネクタ搭載側)



- PART NO OF PLUG HOUSINGS TO BE MATED ; SEE TABLE-1.
- POWER CIRCUITS ; SEE FIG 1.
- CIRCUIT NUMBERS ; SEE FIG 1.
- RECOMMENDED SCREW ; PAN-HEADED, TYPE 2 TAPPING SCREW, NOMINAL DIAMETER 3mm LENGTH; SEE TABLE-2 (JIS B1115, B1122).
- FASTENING TORQUE FOR SCREW ; 0.392N·m MAX.
- MEASURED AT 2mm FROM Z
- MEASURED AT 7.5mm FROM Z
- MARKING FOR DISCERNMENT OF THE CONTACT FINISH ; SEE TABLE.
- INSTRUCTION SHEET NO ; 411-5932.
- DETAIL OF TERMINALS TO BE MATED ; SEE TABLE-2.
- ID MARK, PART NUMBER INDICATED
- COLOR OF TINE PLATE IS BLACK

- 嵌合相手ハウジング型番 ; TABLE-1 参照。
- パワー回路 ; FIG 1 参照。
- 回路番号 ; FIG 1 参照。
- 推奨取付ねじ ; JIS B1115, B1122タッピングねじ。ね径3mm、呼び径3、長さ ; TABLE-2参照
- ねじ締付トルク ; 0.392N·m MAX
- Zより2mmの位置で測定。
- Zより7.5mmの位置で測定。
- コンタクト識別用マーク ; 表参照。
- 取扱説明書 NO ; 411-5932。
- 嵌合相手端子構成 ; TABLE-2 参照。
- ID MARK, PART NUMBERを表示
- タインプレート色は黒

TABLE-1

POS 極数	FEMALE HSG メスハウジング	
	0.64 (025)	0.64111
34	1123337	1674925
35	1123338	1674558
32	1123339	1674922
33	1473651	1827617
35	1123340	1674928
31	1123341	1674919

TABLE-2

プリント基板厚 (mm)	1.2	1.6
THICKNESS OF PCB (mm)		
固定用ねじ下長 (mm)	5	6
NOMINAL LENGTH OF SCREW (mm)		

THIS DRAWING IS A CONTROLLED DOCUMENT.

OWNER: Y. KAWAHARA 19APRO1
CHK: R. KOMIYAMA 19APRO1
APVD: N. SAI 19APRO1

PRODUCT SPEC: 108-5674
APPLICATION SPEC: 114-5217, -5250

WEIGHT: SEE TABLE
FINISH: SEE TABLE

MATERIAL: HOUSING: SEE TABLE
CONTACT: BRASS

SIZE: A1
CAGE CODE: 00779
DRAWING NO: 1473649
SHEET: 1 OF 3

RESTRICTED TO: REV B6

4

3

2

1

THIS DRAWING IS UNPUBLISHED. RELEASED FOR PUBLICATION 20
 © COPYRIGHT 20 ALL RIGHTS RESERVED.

LOC	DIST	REVISIONS					
J	-	P	LTR	DESCRIPTION	DATE	DWN	APVD
				SEE 1 OF 3			

△ FIG 1 CIRCUIT NUMBERS △ (70) ; パワー回路用
 (FOR POWER CIRCUIT)

2	48.7	∅2.63	PAPER BOX ダンボール箱	PLASTIC TUBE プラスチックチューブ	SAME AS 1473649-2					1473649-9		
2	48.7	∅2.63	PLASTIC BOX 通い箱	PLASTIC TUBE プラスチックチューブ	-	SELECTIVE-TIN (MATTE)	SELECTIVE-TIN x 102 (BRIGHT) SELECTIVE GOLD x 98	-	18~31, 48~66, 83~99, 117~131, 151~166, 184~200	SPS GF17	NATURAL (自然色)	1473649-2
61	53.9	∅2.4	PAPER BOX ダンボール箱	PLASTIC TUBE プラスチックチューブ	-	SELECTIVE-TIN (MATTE)	SELECTIVE-TIN x 100 (BRIGHT) SELECTIVE GOLD x 100	132, 133	18~31, 48~66, 83~99, 117~131, 151~166, 184~200	PBT GF15	NATURAL (自然色)	1473649-7
4 △	34.1	∅2.63	PLASTIC BOX 通い箱	PLASTIC TUBE プラスチックチューブ	67~99	SELECTIVE-TIN (MATTE)	SELECTIVE-TIN x 86 (BRIGHT) SELECTIVE GOLD x 81	-	18~31, 48~66 117~131, 151~166, 184~200	SPS GF17	NATURAL (自然色) △	1473649-4
61	53.9	∅2.4	PLASTIC BOX 通い箱	PLASTIC TUBE プラスチックチューブ	-	SELECTIVE-TIN (MATTE)	SELECTIVE-TIN x 100 (BRIGHT) SELECTIVE GOLD x 100	132, 133	18~31, 48~66, 83~99, 117~131, 151~166, 184~200	PBT GF15	NATURAL (自然色)	6473649-1
△ MARKING マーキング	WEIGHT (g) 質量	V	OUTER 外装	INNER 内装	NO CONTACT CIRCUIT NO 欠番 △	SOLDERING SIDE 半田付け側	CONTACT SIDE 接触部側	040TAB	025 TAB	MATERIAL 材料	COLOR (色)	PART NUMBER (型番)
			PACKING STYLE 梱包形態		CONTACT FINISH (仕上げ)		GOLD PLATED CIRCUIT NO (金めっき回路番号)		HOUSING ハウジング			

THIS DRAWING IS A CONTROLLED DOCUMENT.		DWN Y. KAWAHARA 19APR01	TE Connectivity	
DIMENSIONS: 単位: 形 mm		CHK R. KOMIYAMA 19APR01		
TOLERANCES UNLESS OTHERWISE SPECIFIED: 一般公差: ±0.3 0-PLC ±0.5 1-PLC ±0.13 2-PLC ±0.13 3-PLC ±0.013 4-PLC ±0.001 ANGLES ±3°00'		APVD N. SAI 19APR01	NAME 025/040 EFI ECU CONNECTOR 200 POSITION CAP HOUSING ASSEMBLY	
MATERIAL 材料		PRODUCT SPEC 製品規格 SEE 1 OF 3	APPLICATION SPEC 取付適用規格 SEE 1 OF 3	
FINISH 仕上		WEIGHT 質量 SEE 1 OF 3	SIZE A2	CAGE CODE 00779
SEE 1 OF 3		DRAWING NO C=1473649		RESTRICTED TO -
CUSTOMER DRAWING			SCALE 1:1	SHEET 2 OF 3 REV B6

1471-9 (3/11) Downloaded From Oneyac.com

4

3

2

1

THIS DRAWING IS UNPUBLISHED.

RELEASED FOR PUBLICATION

© COPYRIGHT 19

ALL RIGHTS RESERVED.

LOC
J

DIST

REVISIONS


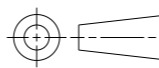
変更

P	LTR	DESCRIPTION	ECN	DATE	DWN	APVD
		SEE SHEET 1 OF 3				

43.2 MAX
(24.6)
(23)
(24.4)

(164.9)
(161.5)

CAP ASSEMBLY & PLUG ASSEMBLY ENGAGEMENT DRAWING
 キャップアッセンブリ & プラグアッセンブリ 嵌合図

THIS DRAWING IS A CONTROLLED DOCUMENT.		DWN Y. KAWAHARA 19APR01	 TE Connectivity	
DIMENSIONS: 単位: 耗 mm		CHK R. KOMIYAMA 19APR01		
TOLERANCES UNLESS OTHERWISE SPECIFIED: 一般公差 = ± 0.3		APVD N. SAI 19APR01	NAME 名称 025/040 EFI ECU CONNECTOR 200 POSITION CAP HOUSING ASSEMBLY	
		PRODUCT SPEC 製品規格 SEE 1 OF 3	SIZE A3	
MATERIAL 材料 SEE 1 OF 3		APPLICATION SPEC 取付適用規格 SEE 1 OF 3	CAGE CODE 00779	DRAWING NO 番号 C-1473649
FINISH 仕上 SEE 1 OF 3		WEIGHT SEE 1 OF 3	RESTRICTED TO -	
CUSTOMER DRAWING		SCALE 尺度 1:1		SHEET 3 OF 3
				REV B6

1470-19 (3/11)

Downloaded From Oneyac.com

单击下面可查看定价，库存，交付和生命周期等信息

[>>TE Connectivity\(泰科\)](#)