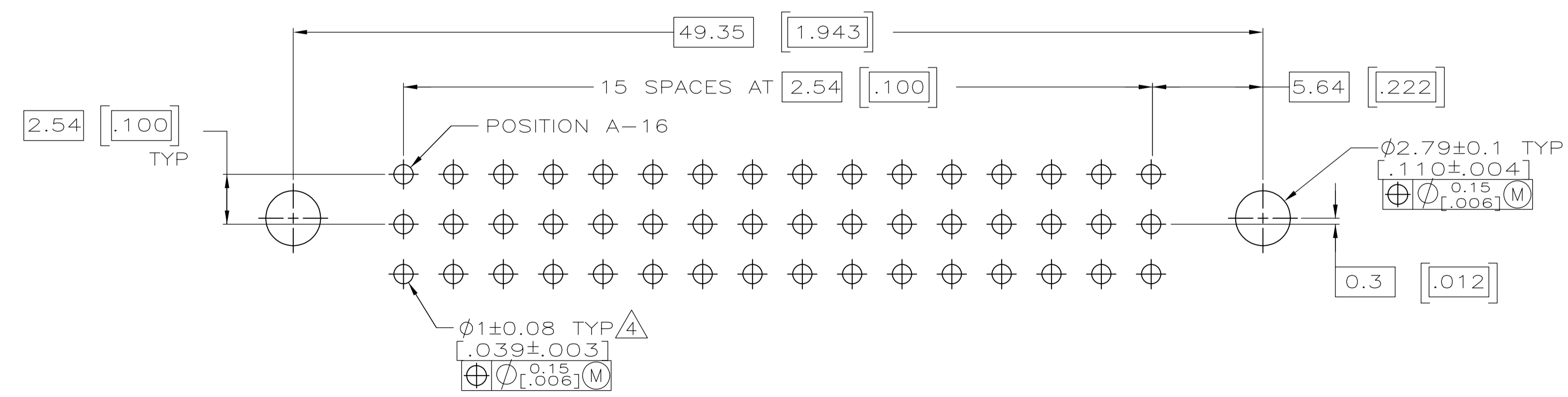
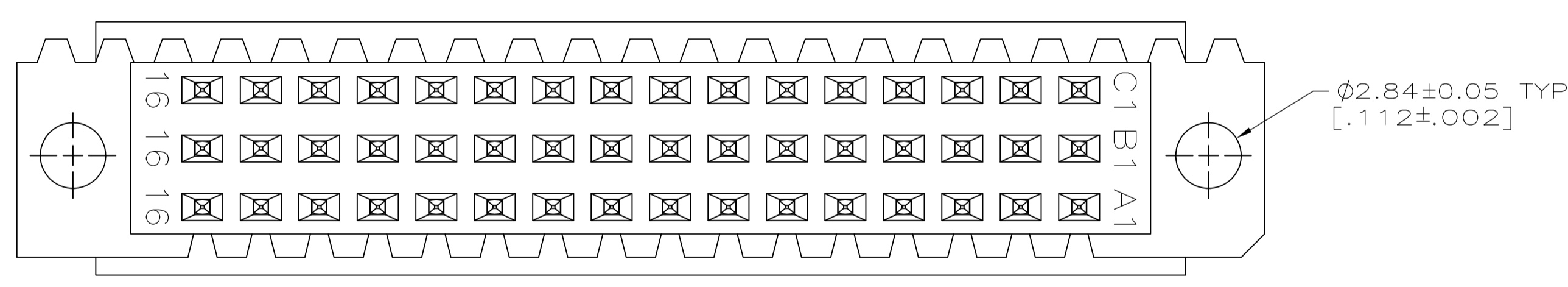
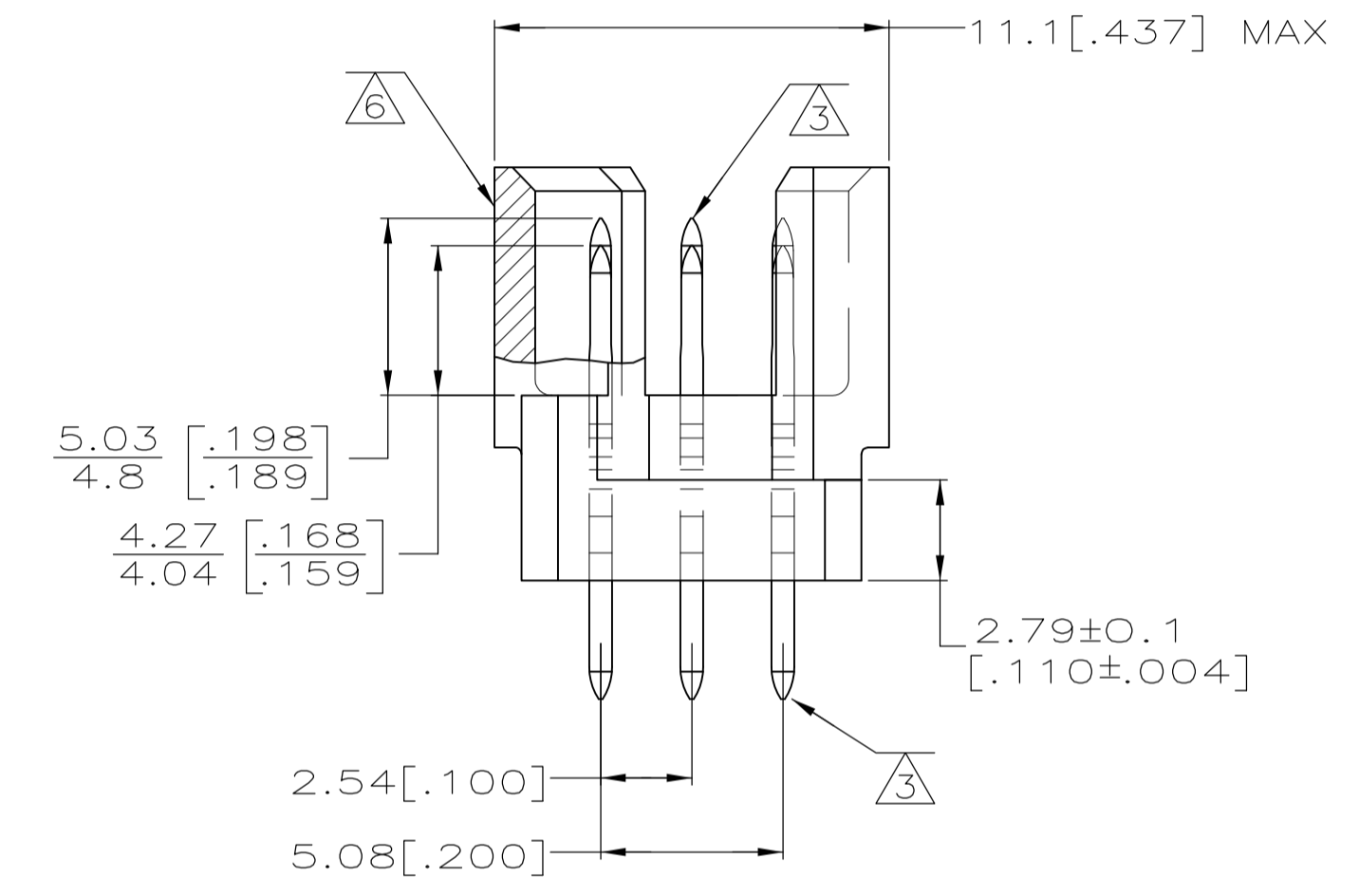
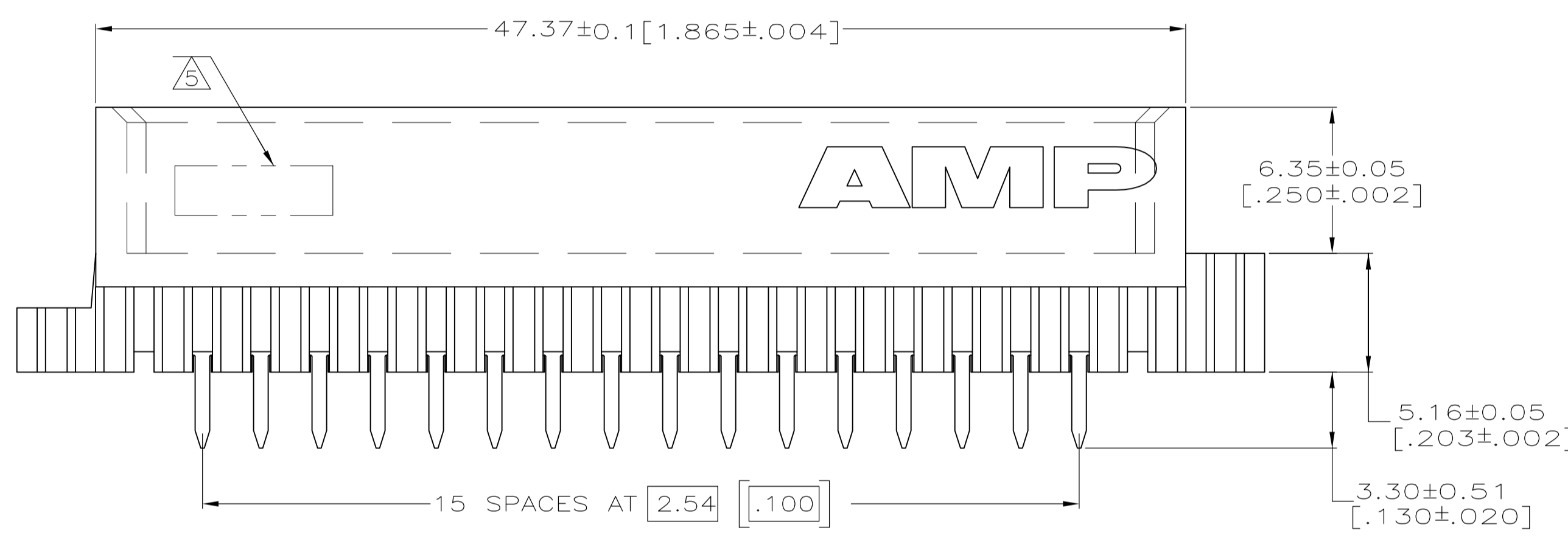
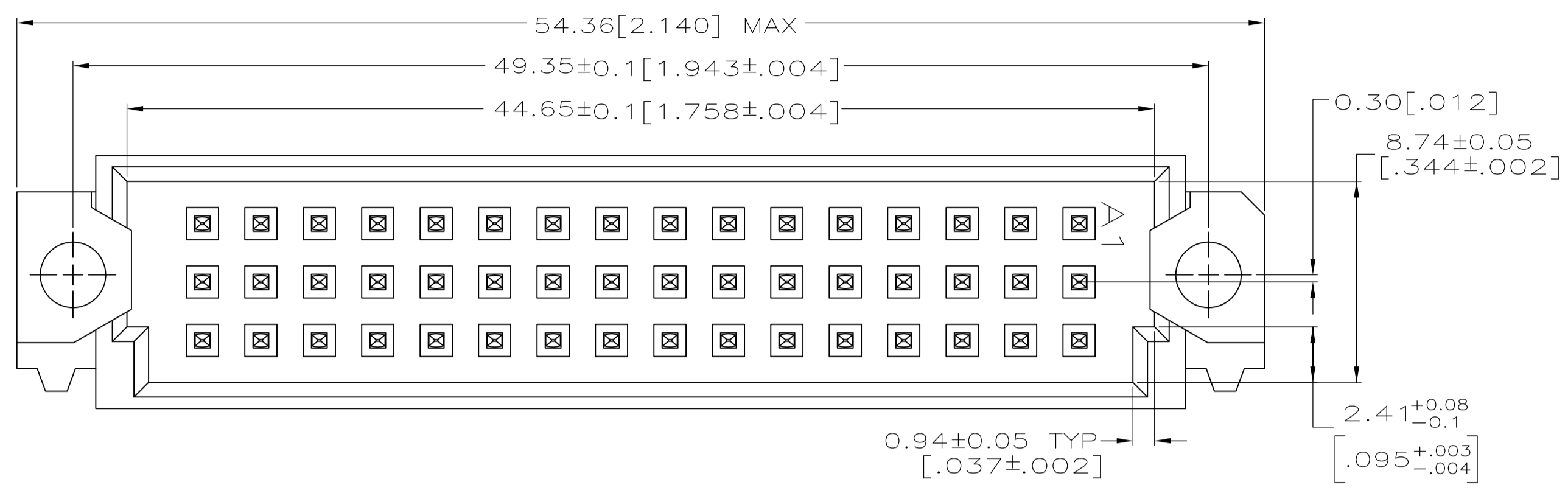


- 1 HOUSING MATERIAL: GLASS-FILLED POLYMER.
- 2 POST MATERIAL: COPPER ALLOY.
- 3 POST FINISH: DIN 41612 CLASS 2 IN CONTACT AREA. TIN PLATE ON POSTS.
- 4 RECOMMENDED HOLE SIZE FOR MANUAL APPLICATION OF CONNECTOR ONTO PC BOARD.
- 5 PART NUMBER, DATE CODE MARKED THIS APPROXIMATE AREA.
- 6 MARKINGS ON THIS SIDE.



PC BOARD LAYOUT

4 & 14	1-3, 5-13, 15-16	X	-	-	16	5148474-1
NONE	1-16	-	X	-	16	
NONE	1-16	-	-	X	16	
POSITIONS LOADED WITH 4.93[.194] CONTACTS	POSITIONS LOADED WITH 4.16[.164] CONTACTS	C	B	A	NO. OF LOADED POSITIONS	PART NUMBER

THIS DRAWING IS A CONTROLLED DOCUMENT.		DIN J. POLIGNONE	OSMAYOS	Tyco Electronics Corporation	
DIMENSIONS: mm [INCHES]		OSMAYOS	OSMAYOS	Harrisburg, Pa 17105-3608	
TOLERANCES UNLESS OTHERWISE SPECIFIED:		OSMAYOS	OSMAYOS	NAME	
0 PLC ± -	1 PLC ± -	OSMAYOS	OSMAYOS	ASSEMBLY, PIN, EUROCARD, TYPE 1/2R,	
2 PLC ± 0.13[.005]	3 PLC ± -	OSMAYOS	OSMAYOS	48 POSITION, .130 SOLDER POST,	
4 PLC ± -	ANGLES ± -	OSMAYOS	OSMAYOS	WITH MFBL CONTACTS	
MATERIAL	FINISH	SIZE	CAGE CODE	DRAWING NO	RESTRICTED TO
1 2	3	A1	00779	5148474	-
CUSTOMER DRAWING		SCALE	SHEET	REV	Q1
		5:1	1 of 1	01	

单击下面可查看定价，库存，交付和生命周期等信息

[>>TE Connectivity\(泰科\)](#)