

4

3

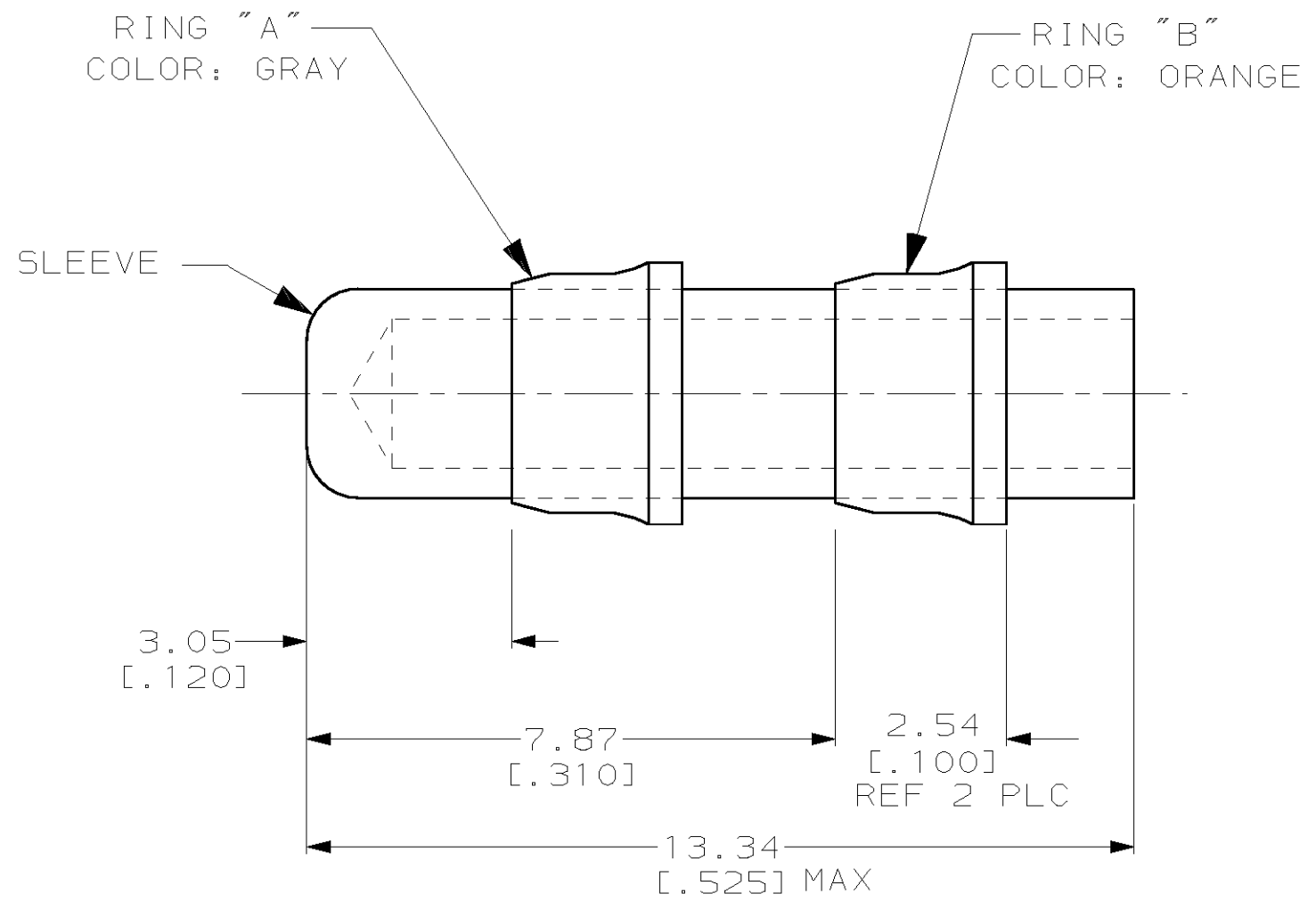
2

1

THIS DRAWING IS UNPUBLISHED. RELEASED FOR PUBLICATION, 19 .
 © COPYRIGHT 19 BY AMP INCORPORATED. ALL RIGHTS RESERVED.

| LOC | DIST | REVISIONS | | | |
|-----|------|-------------|----------------------|---------|----------|
| P | LTR | DESCRIPTION | DATE | DWN | APVD |
| G | 14 | E | REV PER 063A-0541-00 | 25SEP00 | JR TM |

1 WIRE INSULATION DIA IS 2.23-2.79
 [.088-.110]



| | | | |
|---|--|----------------------------------|---|
| TEFLON ASTM D-1710 | | SLEEVE | |
| COPPER PER ASTM B152 / NICKEL PL PER QQ-N-290 | | RING "B" | |
| COPPER PER ASTM B152 / NICKEL PL PER QQ-N-290 | | RING "A" | |
| MATERIAL / FINISH | | DESCRIPTION | |
| THIS DRAWING IS A CONTROLLED DOCUMENT. | | DWN JR RUTH 31MAY00 | AMP Incorporated Harrisburg, PA 17105-3608 |
| DIMENSIONS: MM [INCHES] | | CHK R HERSEY 31MAY00 | |
| | | APVD T MICHIELUTTI 31MAY00 | |
| TOLERANCES UNLESS OTHERWISE SPECIFIED: | | NAME | |
| 0 PLC ±- | | PRE-INSULATED SPARE WIRE CAP | |
| 1 PLC ±- | | PRODUCT SPEC | |
| 2 PLC ±0.40 [.015] | | APPLICATION SPEC | |
| 3 PLC ±- | | SIZE | |
| 4 PLC ±- | | CAGE CODE | |
| ANGLES ±- | | DRAWING NO | |
| MATERIAL SEE TABLE | | RESTRICTED TO | |
| FINISH SEE TABLE | | A3 00779 C- 328860 | |
| CUSTOMER DRAWING | | SCALE 10:1 | |
| | | SHEET 1 OF 1 | |
| | | REV E | |

单击下面可查看定价，库存，交付和生命周期等信息

[>>TE Connectivity\(泰科\)](#)