

SAFETY ORGANIZATION(S) :

THIS FILTER HAS BEEN FORMALLY RECOGNIZED, CERTIFIED OR APPROVED BY THE LISTED AGENCY. THEREFORE, ALL TEST/REQUIREMENTS SPECIFIED IN THE LATEST REVISION OF THE FOLLOWING AGENCY STANDARDS HAVE BEEN MET:

UL RECOGNIZED

UL 1283

RELIABILITY SPECIFICATIONS:

STORAGE TEMPERATURE: -40°C TO +85°C
 HUMIDITY: 21 DAYS @ 40°C 95% RH
 CURRENT OVERLOAD TEST: 6 TIMES RATED CURRENT FOR 8 SECONDS

TEST SPECIFICATIONS:

INDUCTANCE: .99 mH NOMINAL
 CAPACITANCE (MEASURED @ 1 KHz, 0.25VAC MAX., 25°C±1°C)
 LINE TO GROUND: .011 µF ±20%
 LINE TO LINE: .813 µF ±20%
 DISCHARGE RESISTOR: 330K Ω

LINE/GROUND AND LINE/LINE: 6000M Ω (MIN) AT 100VDC
 INSULATION RESISTANCE: 20°C AND 50% RH

RECOMMENDED RECEIVING INSPECTION HIPOT:

LINES TO GROUND: 2250 VDC FOR 1 MINUTE
 LINE TO LINE: 1450 VDC FOR 1 MINUTE

FILTER APPROVAL:

THE BEST WAY TO SELECT AND QUALIFY A FILTER IS FOR YOUR ENGINEERING TO TEST THE UNIT IN YOUR EQUIPMENT.

OPERATING SPECIFICATIONS:

LINE VOLTAGE/CURRENT: 20 AMP, 120/250 VAC

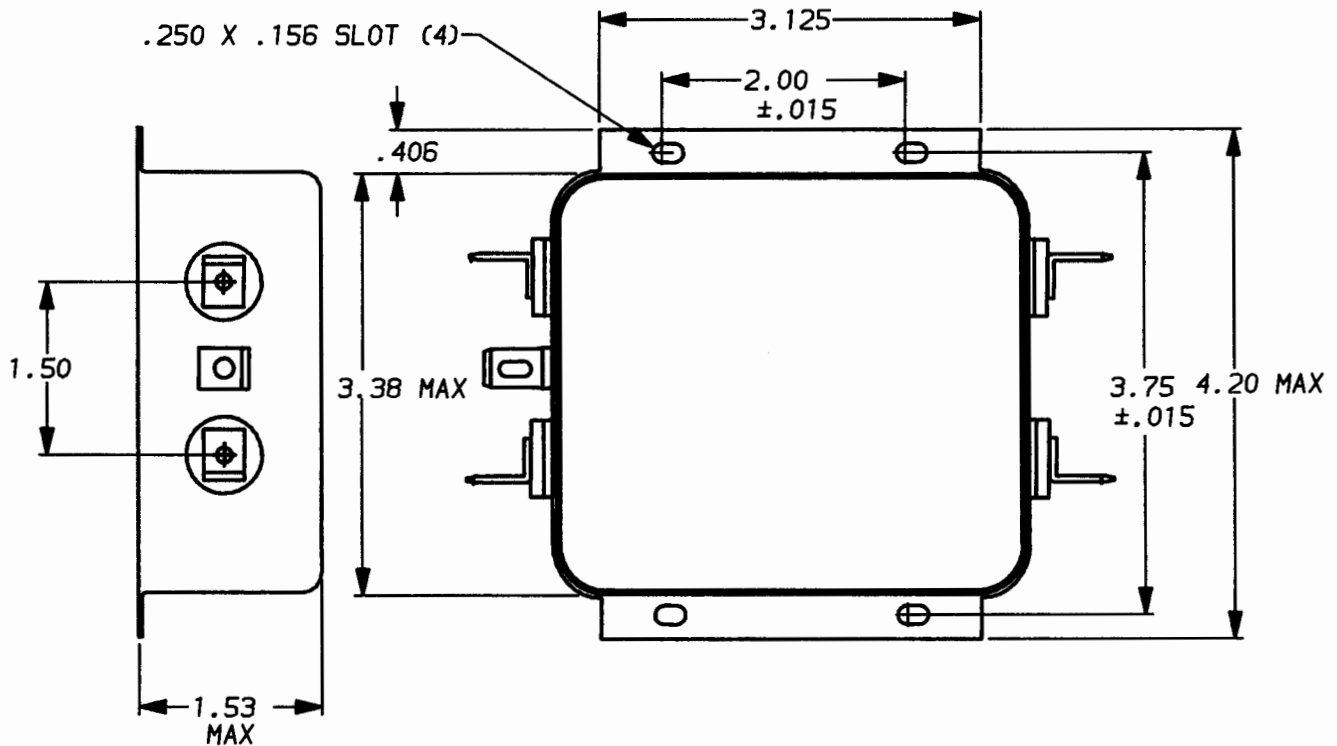
LINE FREQUENCY: 50-60Hz

MAX. LEAKAGE CURRENT, EACH:
 LINE TO GROUND: 0.5 mA AT 120V 60Hz
 .83 mA at 250V 50Hz

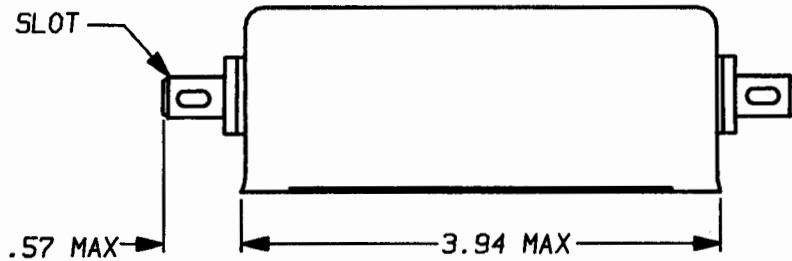
OPERATING AMBIENT TEMP. RANGE: -10°C TO +40°C @ RATED CURRENT, I_r

IN AN AMBIENT, T_a , HIGHER THAN 40°C, THE MAXIMUM OPERATING CURRENT, I_o , IS AS FOLLOWS:

$$I_o = I_r \sqrt{\frac{85 - T_a}{45}}$$



.250 FASTONS .07 X .156 SLOT (5 PLACES)



50 Ω - 50 Ω (MINIMUM) INSERTION LOSS										
FREQUENCY MHz	.15	.5	1	2	5	10	20	30		
COMMON dB	15	30	41	48	60	46	36	30		
DIFF. dB	30	65	65	65	65	60	57	55		

UNLESS OTHERWISE SPECIFIED, TOLERANCE TO BE ±.025
 MATERIAL & FINISH: AS SUPPLIED
 This document is proprietary to CORCOM INC. and is not to be reproduced nor used for manufacturing purposes except on CORCOM'S prior written consent.

corcom
 LIBERTYVILLE, IL 60048
POWER LINE FILTER
 DATE: 4-18-94 CATALOG NO.
 APPROVD. LEO
20V1.04
 CAD NO. 20V1.04

单击下面可查看定价，库存，交付和生命周期等信息

[>>TE Connectivity\(泰科\)](#)