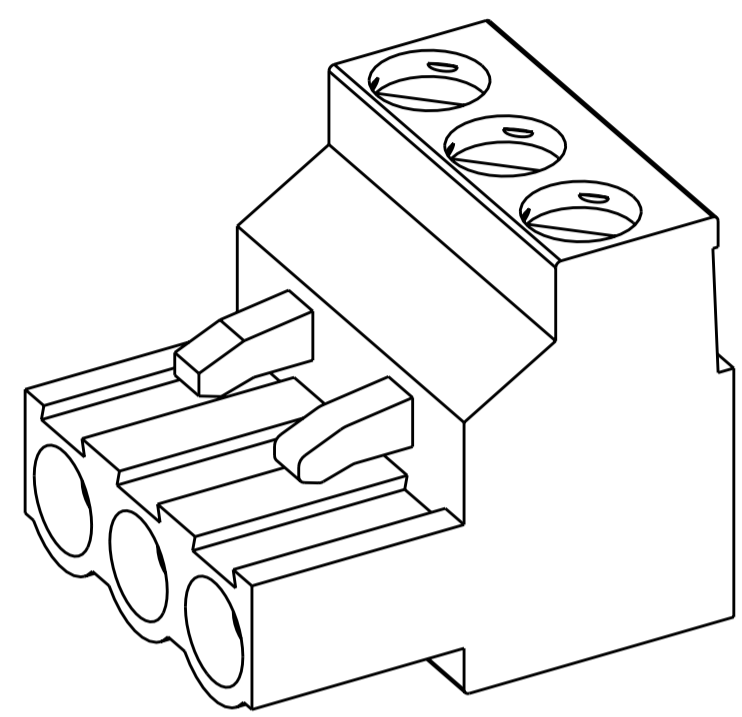
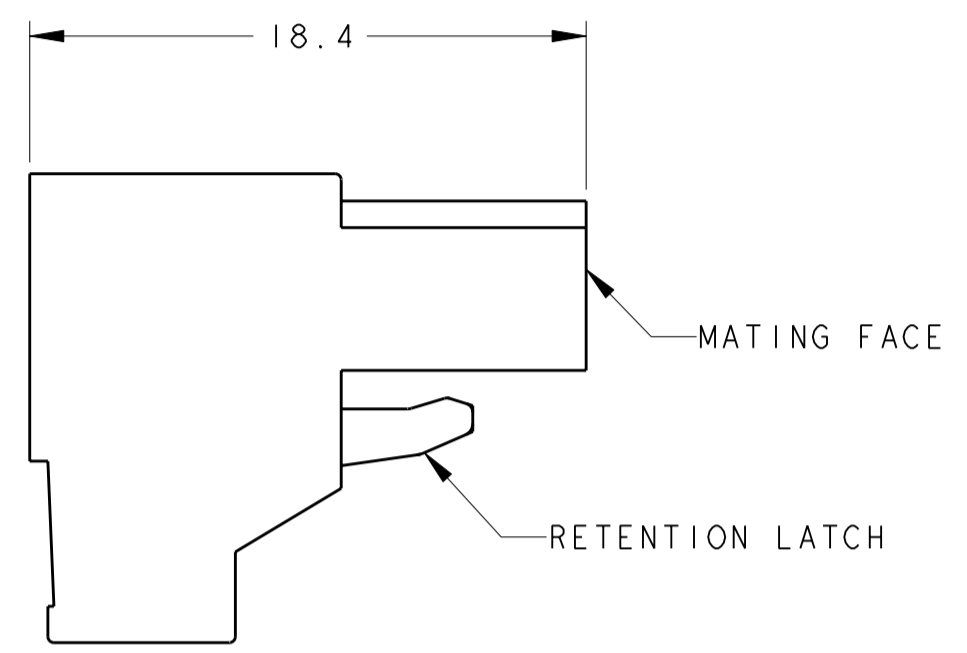
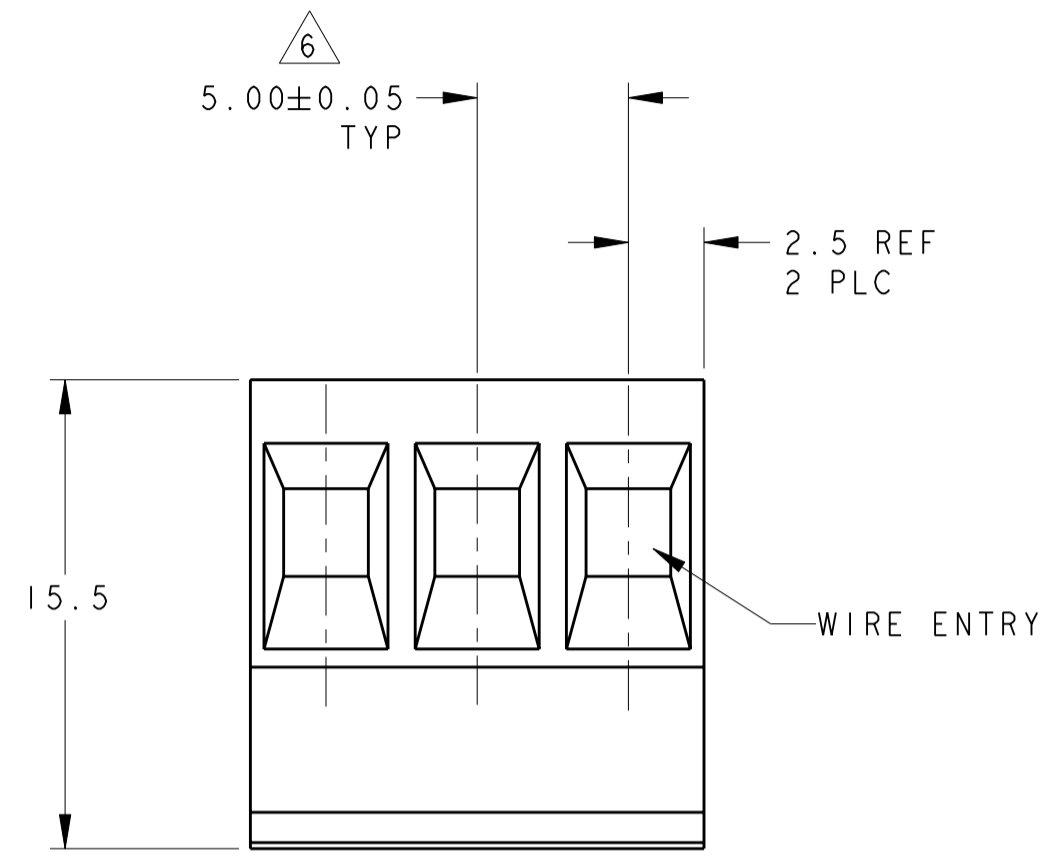
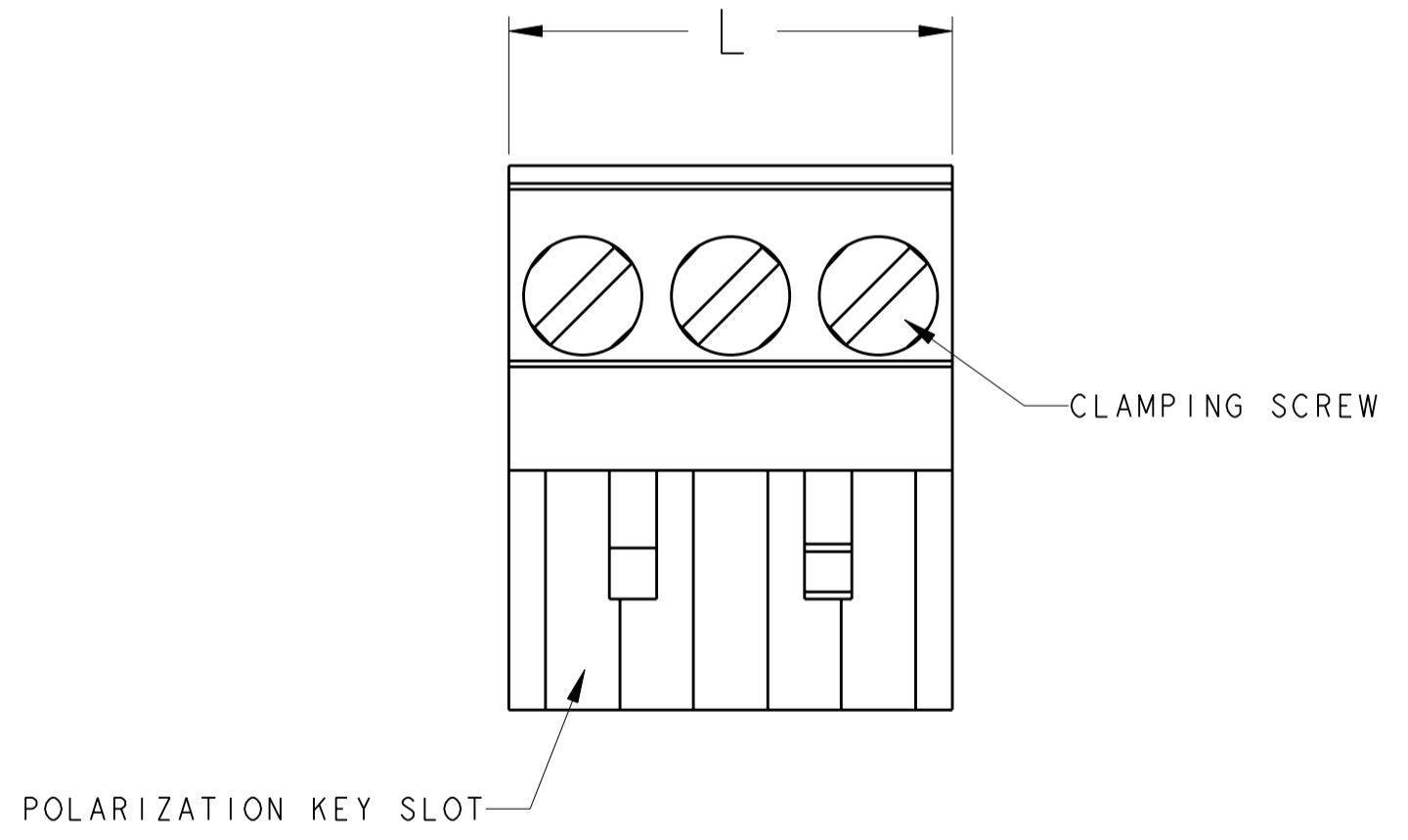


THIS DRAWING IS UNPUBLISHED. RELEASED FOR PUBLICATION 20
 © COPYRIGHT 20 BY TYCO ELECTRONICS CORPORATION. ALL RIGHTS RESERVED.

LOC		DIST		REVISIONS			
P	LTR	DESCRIPTION	DATE	DWN	APVD		
	A	RELEASED	-	-	-		
	A1	REVISED ECO-06-007741	31MAR2006	SW	CR		
	A2	REVISED PER ECO-07-014363	20JUN2007	SS	CR		

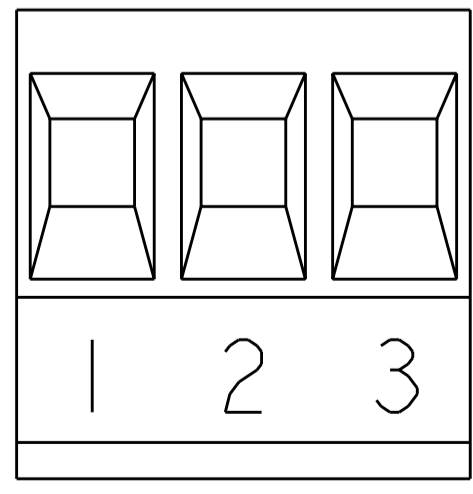


1546208-3 AS SHOWN

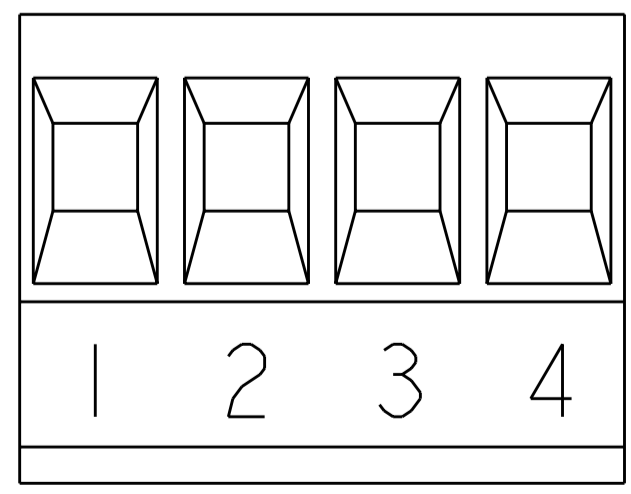


- 1 MATERIALS AND FINISH:
 HOUSING: PA 6-6, UL 94-V0, COLOR: GRAY.
 CLAMP: BRASS, NICKEL PLATED.
 DOUBLE SIDE CONTACT SPRING: PHOSPHOR BRONZE, TIN PLATED.
 CLAMPING SCREW: M3, BRASS, NICKEL PLATED.
2. END-TO-END STACKABLE WITHOUT LOSS OF CENTERLINE SPACING.
3. WIRE SIZE RANGE: 12-30 AWG
4. RECOGNIZED UNDER THE COMPONENT PROGRAM OF UNDERWRITERS LABORATORIES INC. FILE N° E60677.
5. IMQ CERTIFICATE WITH SURVEILLANCE IN CONFORMITY WITH IEC 998-1/998-2-1.
- 6 NOT CUMULATIVE TOLERANCE
- 7 PARTS TO BE PERMANENTLY MARKED WITH BLACK LETTERS.

MARKING	DIM L	NO OF POSN	PART NUMBER
SEE DETAIL P	20.0	4	2-1546208-8
SEE DETAIL N	20.0	4	2-1546208-7
SEE DETAIL M	15.0	3	2-1546208-6
	125.0	25	2-1546208-5
	120.0	24	2-1546208-4
	115.0	23	2-1546208-3
	110.0	22	2-1546208-2
	105.0	21	2-1546208-1
	100.0	20	2-1546208-0
	95.0	19	1-1546208-9
	90.0	18	1-1546208-8
	85.0	17	1-1546208-7
	80.0	16	1-1546208-6
	75.0	15	1-1546208-5
	70.0	14	1-1546208-4
	65.0	13	1-1546208-3
	60.0	12	1-1546208-2
	55.0	11	1-1546208-1
	50.0	10	1-1546208-0
	45.0	9	1546208-9
	40.0	8	1546208-8
	35.0	7	1546208-7
	30.0	6	1546208-6
	25.0	5	1546208-5
	20.0	4	1546208-4
	15.0	3	1546208-3
	10.0	2	1546208-2



DETAIL M



DETAIL N

THIS DRAWING IS A CONTROLLED DOCUMENT FOR TYCO ELECTRONICS CORPORATION. IT IS SUBJECT TO CHANGE AND THE CONTROLLING ENGINEERING ORGANIZATION SHOULD BE CONTACTED FOR THE LATEST REVISION.		DWN S. WELDON 27FEB2004	Tyco Electronics Harrisburg, PA 17105-3608	
DIMENSIONS: mm		CHK C. RICHARD 27FEB2004	NAME TERMINAL BLOCK, PLUG, STACKING, 5.00mm PITCH	
TOLERANCES UNLESS OTHERWISE SPECIFIED: 0 PLC ±- 1 PLC ±0.2 2 PLC ±- 3 PLC ±- 4 PLC ±- ANGLES ±- FINISH		APVD C. RICHARD 27FEB2004	RESTRICTED TO	
MATERIAL		PRODUCT SPEC -	SIZE A2	CAGE CODE 00779
		APPLICATION SPEC -	DRAWING NO 1546208	SCALE 5:1
		WEIGHT -	SHEET 1 OF 2	
		CUSTOMER DRAWING	REV A2	

4

3

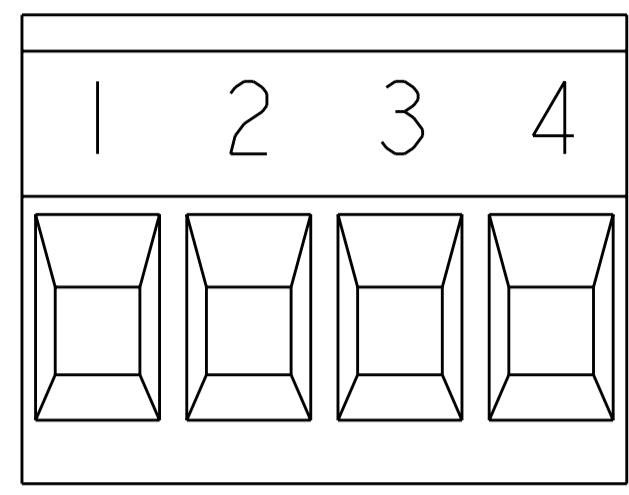
2

1


THIS DRAWING IS UNPUBLISHED. RELEASED FOR PUBLICATION 20

© COPYRIGHT 20 BY TYCO ELECTRONICS CORPORATION. ALL RIGHTS RESERVED.

LOC	DIST	REVISIONS			
P	LTR	DESCRIPTION	DATE	DWN	APVD
		SEE SHEET 1			




DETAIL P

<small>THIS DRAWING IS A CONTROLLED DOCUMENT FOR TYCO ELECTRONICS CORPORATION IT IS SUBJECT TO CHANGE AND THE CONTROLLING ENGINEERING ORGANIZATION SHOULD BE CONTACTED FOR THE LATEST REVISION.</small>		DWN <u>S. WELDON</u> 27FEB2004 CHK <u>C. RICHARD</u> 27FEB2004 APVD <u>C. RICHARD</u> 27FEB2004	 Tyco Electronics Harrisburg, PA 17105-3608
DIMENSIONS: mm	TOLERANCES UNLESS OTHERWISE SPECIFIED: 0 PLC ± 1 PLC ±0.2 2 PLC ± 3 PLC ± 4 PLC ± ANGLES ± FINISH -	PRODUCT SPEC - APPLICATION SPEC - WEIGHT -	NAME TERMINAL BLOCK, PLUG, STACKING, 5.00mm PITCH SIZE A2 CAGE CODE 00779 DRAWING NO. 1546208 RESTRICTED TO -
MATERIAL -		SCALE 4:1 SHEET 2 OF 2 REV A2 CUSTOMER DRAWING	

单击下面可查看定价，库存，交付和生命周期等信息

[>>TE Connectivity\(泰科\)](#)