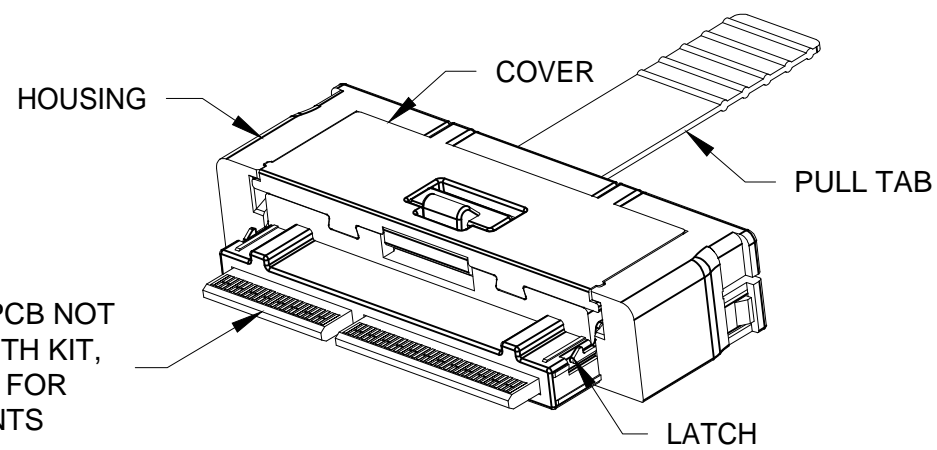
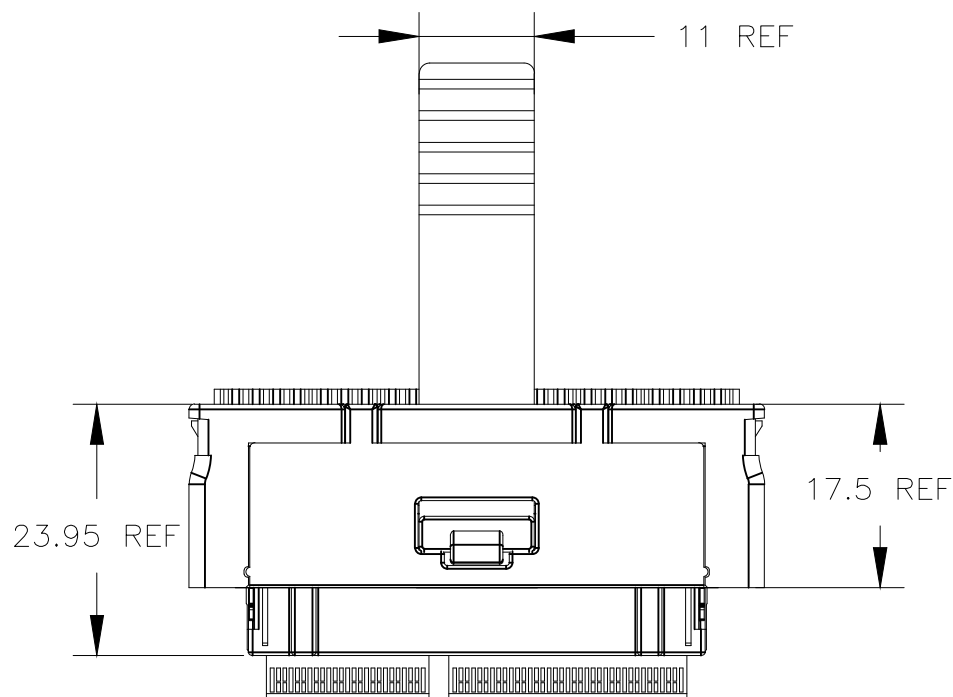
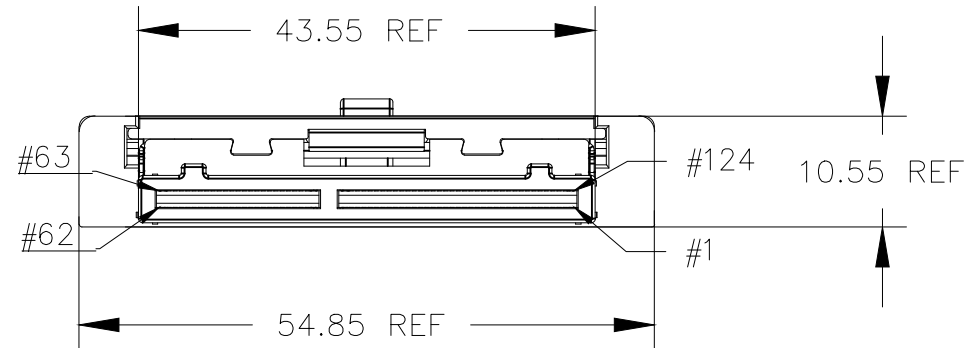


THIS DRAWING IS UNPUBLISHED. RELEASED FOR PUBLICATION
 © COPYRIGHT - TE Connectivity Ltd. ALL RIGHTS RESERVED.

REVISIONS					
P	LTR	DESCRIPTION	DATE	DWN	APVD
	A	SEE SHEET 3	-	-	-



OVERMOLD PCB NOT INCLUDED WITH KIT, SEE SHEET 2 FOR REQUIREMENTS

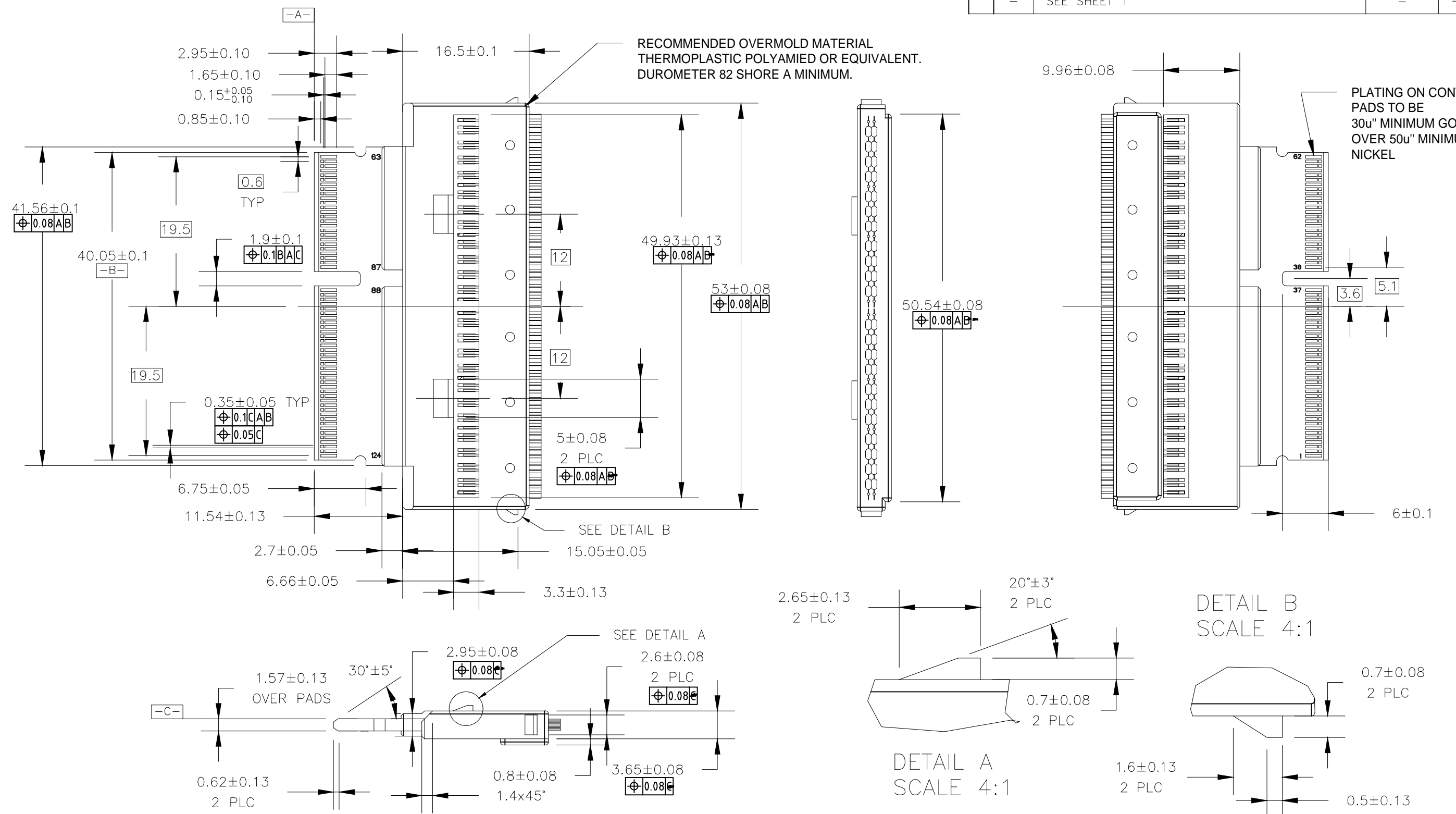


- NOTE:
 1. PRODUCT AND PROCESS MEETS REQUIREMENT OF TE SPECIFICATION TEC-138-702.
 2. SEE SHEET 2 FOR OVERMOLD PCB REQUIREMENTS.

THIS DRAWING IS A CONTROLLED DOCUMENT.		DWN ANDY HOU 24AUG2018															
DIMENSIONS: mm		CHK DAVID ZHANG 24AUG2018															
TOLERANCES UNLESS OTHERWISE SPECIFIED:		APVD DAVID ZHANG 24AUG2018	NAME PLUG KIT, 124 POSN, SLIVER														
<table border="1"> <tr><td>0 PLC</td><td>± -</td></tr> <tr><td>1 PLC</td><td>± -</td></tr> <tr><td>2 PLC</td><td>± -</td></tr> <tr><td>3 PLC</td><td>± -</td></tr> <tr><td>4 PLC</td><td>± -</td></tr> <tr><td>ANGLES</td><td>± -</td></tr> </table>		0 PLC	± -	1 PLC	± -	2 PLC	± -	3 PLC	± -	4 PLC	± -	ANGLES	± -	PRODUCT SPEC -	RESTRICTED TO -		
0 PLC	± -																
1 PLC	± -																
2 PLC	± -																
3 PLC	± -																
4 PLC	± -																
ANGLES	± -																
MATERIAL -		FINISH -	APPLICATION SPEC -	SIZE A3	CAGE CODE 00779	DRAWING NO C-2339107	WEIGHT NA	RESTRICTED TO -									
CUSTOMER DRAWING			SCALE 1:1	SHEET 1 of 3	REV A												

THIS DRAWING IS UNPUBLISHED. RELEASED FOR PUBLICATION
 © COPYRIGHT - TE Connectivity Ltd. ALL RIGHTS RESERVED.

REVISIONS					
P	LTR	DESCRIPTION	DATE	DWN	APVD
-	-	SEE SHEET 1	-	-	-


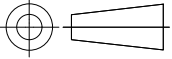


THIS DRAWING IS A CONTROLLED DOCUMENT.		DWN ANDY HOU 24AUG2018	TE Connectivity		
DIMENSIONS: mm		CHK DAVID ZHANG 24AUG2018			
TOLERANCES UNLESS OTHERWISE SPECIFIED:		APVD DAVID ZHANG 24AUG2018	PRODUCT SPEC		
0 PLC ± - 1 PLC ± - 2 PLC ± - 3 PLC ± - 4 PLC ± - ANGLES ± -		APPLICATION SPEC	RESTRICTED TO		
MATERIAL		WEIGHT NA	SIZE A3	CAGE CODE 00779	DRAWING NO C-2339107
FINISH		CUSTOMER DRAWING		SCALE 1:1	SHEET 2 OF 3
				REV A	

THIS DRAWING IS UNPUBLISHED. RELEASED FOR PUBLICATION
 © COPYRIGHT - TE Connectivity Ltd. ALL RIGHTS RESERVED.

REVISIONS					
P	LTR	DESCRIPTION	DATE	DWN	APVD
-	-	SEE SHEET 1	-	-	-

2339107						STOCK DISPOSITION		
REVISION HISTORY						A: CONTINUE AS IS D: USE OLD FIRST B: REWORK E: PARTS TO CONFORM C: SCRAP F: OTHER		
DATE	REV	CHANGES	REASON	APPROVAL	INVENTORY (A,B,C,D,E,F)	WORK IN PROCESS (A,B,C,F)	SUPPLIER ORDERS (A,E,F)	OPEN CUST ORDERS (A,E,F)
24AUG2018	A	INITIAL RELEASE	INITIAL RELEASE	DZ				

THIS DRAWING IS A CONTROLLED DOCUMENT.		DWN ANDY HOU 24AUG2018	 TE Connectivity		
DIMENSIONS: mm		CHK DAVID ZHANG 24AUG2018			
		APVD DAVID ZHANG 24AUG2018	NAME PLUG KIT, 124 POSN, SLIVER		
TOLERANCES UNLESS OTHERWISE SPECIFIED:		PRODUCT SPEC	-		
0 PLC ± -		APPLICATION SPEC	-		
1 PLC ± -		WEIGHT	NA	SIZE	A3
2 PLC ± -		MATERIAL	-	CAGE CODE	00779
3 PLC ± -				DRAWING NO	C-2339107
4 PLC ± -		FINISH	-	RESTRICTED TO	-
ANGLES ± -		CUSTOMER DRAWING		SCALE	1:1
-		-		SHEET	3 OF 3
				REV	A

单击下面可查看定价，库存，交付和生命周期等信息

[>>TE Connectivity\(泰科\)](#)