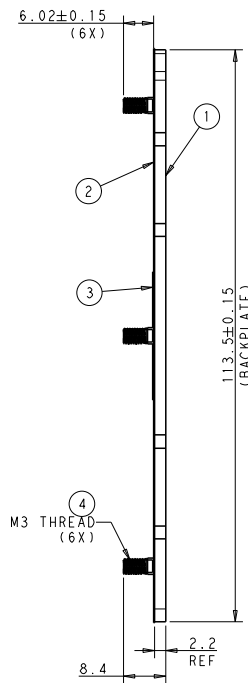
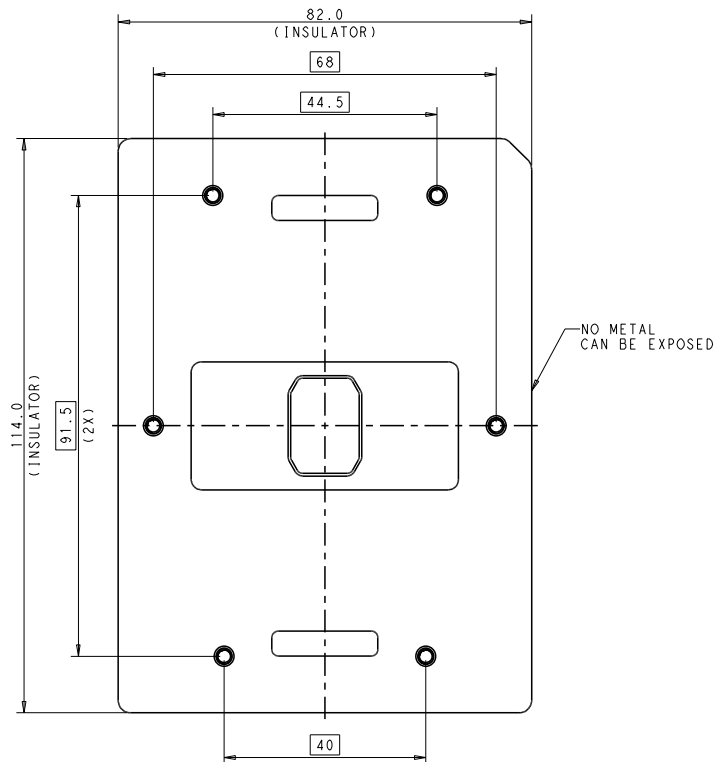
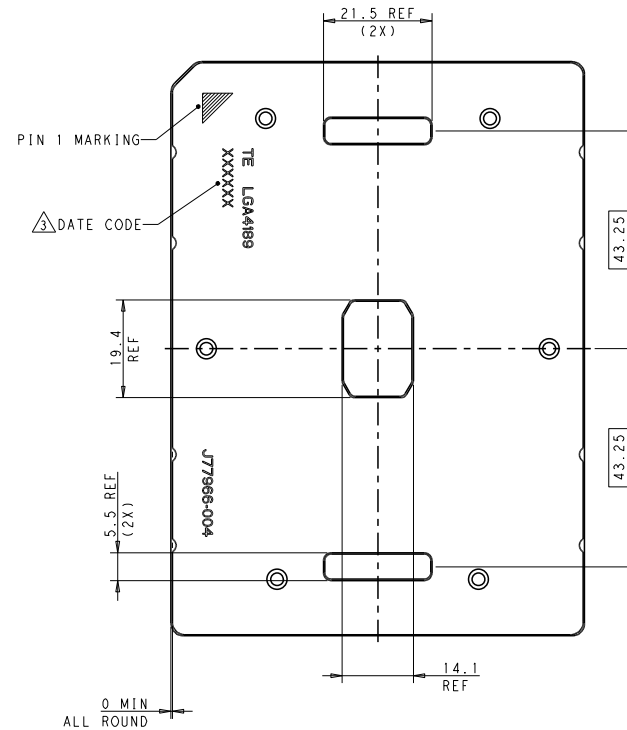


REVISIONS				
REV	DATE	DESCRIPTION	BY	APP
B		REVISED	J. W.	S. L.

TOP VIEW (INSULATOR SIDE)



BOTTOM VIEW



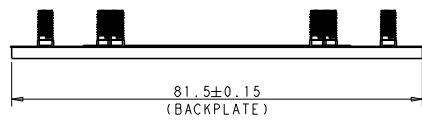
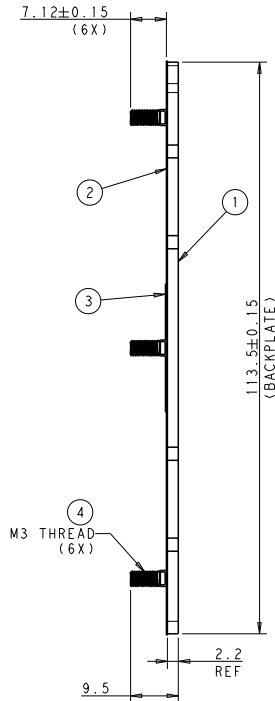
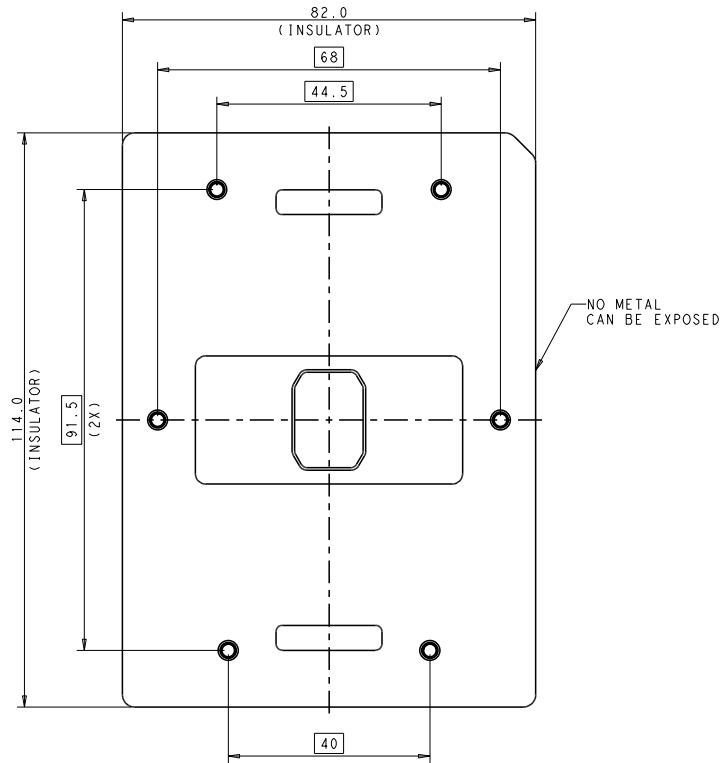
PN 2-2330551-1 AS SHOW

NOTE: (APPLIED TO ALL SHEET)

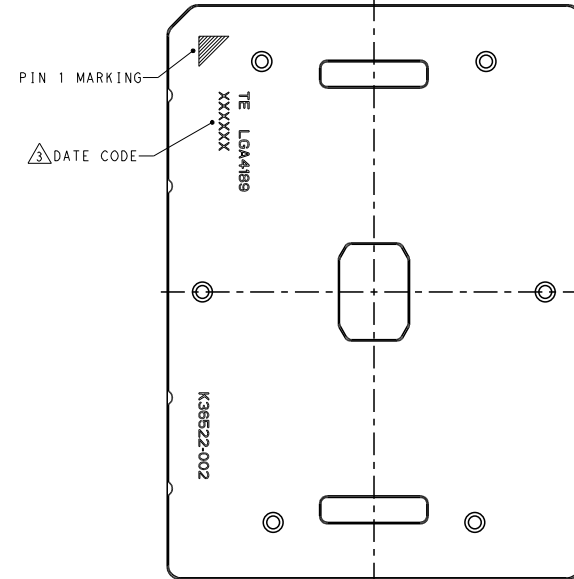
1. MATERIAL:
- ① BACK PLATE: CARBON STEEL, NI PLATING.
 - ② BACK PLATE INSULATOR: POLYCARBONATE FILM PLUS ACRYLIC ADHESIVE LAYER.
 - ③ EXTRA INSULATOR: POLYCARBONATE FILM PLUS ACRYLIC ADHESIVE LAYER.
 - ④ STUD: STEEL.
2. ASSEMBLED WITH BOLSTER ASSEMBLY P/N: 2330550 SERIES.
 STUD/NUT MUST BE ABLE TO ENGAGE WITH MOTHERBOARD THICKNESS:
 -FOR PN 2-2330551-1, IN THE RANGE OF 1.42MM-2.79MM
 -FOR PN 2-2330551-2, IN THE RANGE OF 2.79MM-3.94MM
- △ INDICATED DATE CODE ON THE BACK PLATE

THIS DRAWING IS A CONTROLLED DOCUMENT.		REV. REF. WANG	08FEB2018	 TE Connectivity
DIMENSIONS:		CHK. BILL. LV.	08FEB2018	
MATERIAL:		DATE CODE	00779	NAME: ICX BACKPLATE ASSY SIZE: A1 DRAWING NO: 2330551 SCALE: 2:1 SHEET: 1 of 3 REV: 1
FINISH:		APPLICATION SPEC		RESTRICTED TO
CUSTOMER DRAWING		PRODUCT SPEC		

TOP VIEW (INSULATOR SIDE)

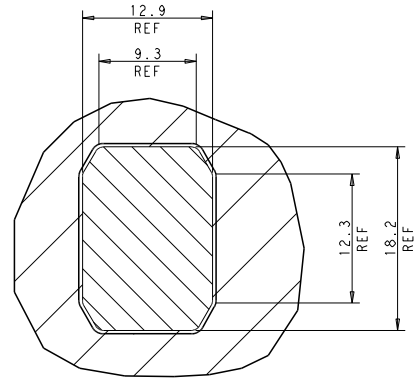
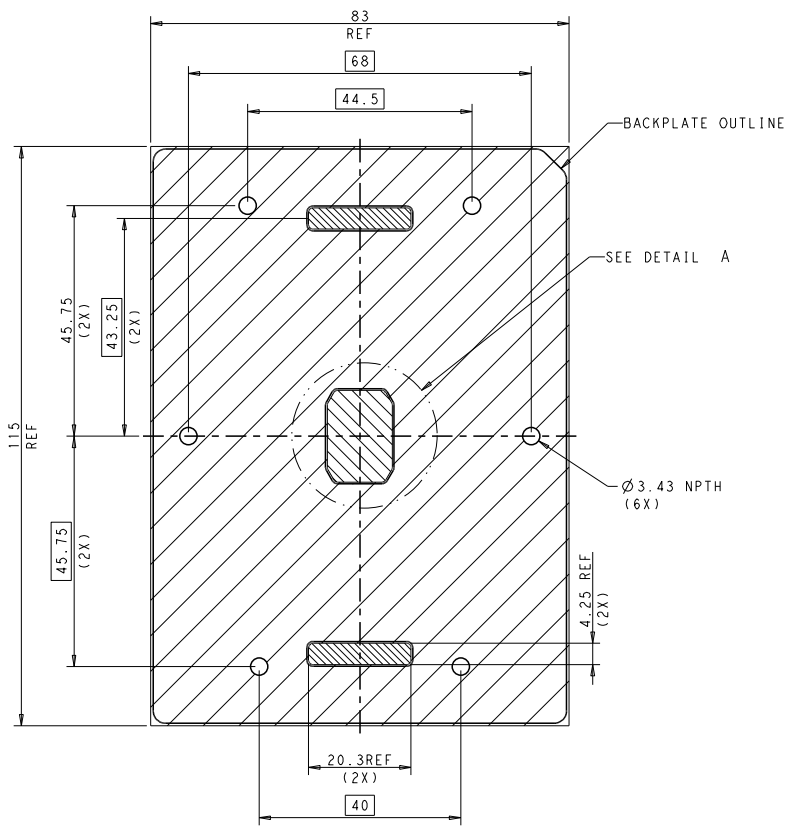


BOTTOM VIEW



PN 2-2330551-2 AS SHOW
UNLESS SPECIFIED DIMENSION
ARE SAME WITH 2-2330551-1

THIS DRAWING IS A CONTROLLED DOCUMENT.		REV. REF. WANG 08FEB2018	STMicroelectronics	
DIMENSIONS:		CHK BILL LV 08FEB2018	TE Connectivity	
TOLERANCES UNLESS OTHERWISE SPECIFIED:		APPN SIMON LL 08FEB2018	NAME	
0	PLC ±0.3	PRODUCT SPEC	ICX BACKPLATE ASSY	
1	PLC ±0.3	APPLICATION SPEC	SIZE	
2	PLC ±0.3		EAGE CODE	
3	PLC ±0.3		DRAWING NO	
4	PLC ±0.3		RESTRICTED TO	
MATERIAL:		FINISH:	SCALE	2:1
			SHEET	2 of 3
			REV	1
			CUSTOMER DRAWING	



DETAIL A
SCALE 4:1

KOZ LEGEND	
	BACKPLATE ZONE. NO OTHER COMPONENT PLACEMENT ALLOWED. 0.0MM HEIGHT RESTRICTION
	SECONDARY SIDE SOCKET CAVITY ZONE. 1.8MM MAX COMPONENT HEIGHT.
	SECONDARY SIDE COMPONENT PLACEMENT ZONE. 1.8MM MAX COMPONENT HEIGHT.

REFERENCE BACKPLATE KEEPOUT ZONE
FOR GENERAL BOARD DESIGN, PLEASE REFER TO THE THERMAL AND MECHANICAL DESIGN GUIDELINES PROVIDED BY INTEL

THIS DRAWING IS A CONTROLLED DOCUMENT.		REV. WANG 08FEB2018	 TE Connectivity
DIMENSIONS: (UNLESS OTHERWISE SPECIFIED)		CHEN 08FEB2018	
MATERIAL:		REV. J.V. 08FEB2018	NAME: ICX BACKPLATE ASSY
FINISH:		APPS: SIMON.LI	SIZE: A
CUSTOMER DRAWING		PRODUCT SPEC:	SCALE: 2:1
		APPLICATION SPEC:	SHEET: 3 OF 3
		HEIGHT:	REV: 0
		ANGLE:	
		RESTRICTED TO:	
		00779 © 2330551	

单击下面可查看定价，库存，交付和生命周期等信息

[>>TE Connectivity\(泰科\)](#)