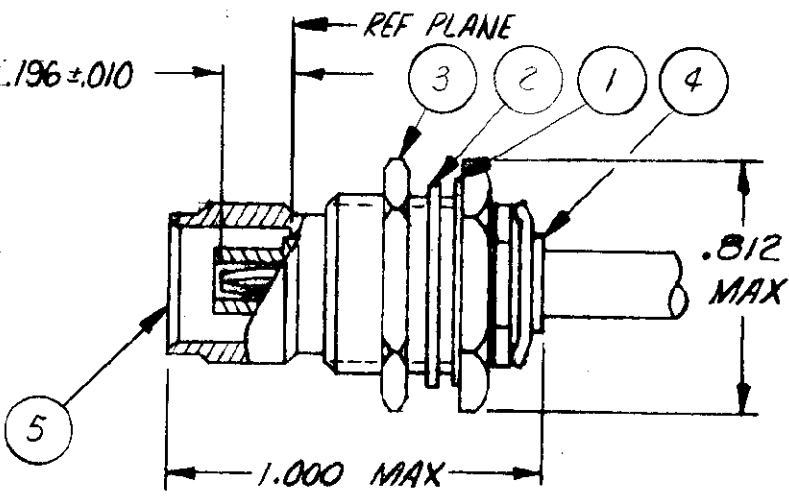
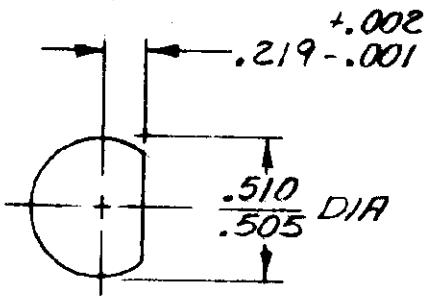


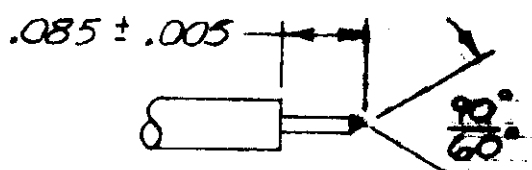
REVISIONS					
P	F	LTR	DESCRIPTION	DATE	BY
1		B	REVISED PER FC 0220-0213-94	11/22/54	11/22/54



1. FOR USE WITH RG-402/U
.141 SEMI-RIGID CABLE
2. .250 MAX PANEL THK
3. USE INSTRUCTION SHEET 670



SUGGESTED PANEL CUTOUT



RECOMMENDED STRIP LENGTH

ITEM	QTY	DESCRIPTION	PART NO
5	1	JACK ASSY	228503-1
4	1	ADAPTOR ASSY	228946-1
3	1	JAM NUT	1-329631-2
2	1	LOCK WASHER	1-329632-2
1	1	GASKET	329633

THIS DRAWING IS UNPUBLISHED. RELEASED FOR PUBLICATION
 BY AMP INCORPORATED, HARRISBURG, PA. ALL INTERNATIONAL RIGHTS
 RESERVED. AMP PRODUCTS MAY BE COVERED BY U.S. AND FOREIGN PATENTS AND/OR PENDING APPLIC.

UNLESS OTHERWISE SPECIFIED, DIMENSIONS ARE IN INCHES.
 TOLERANCES ON:
 DIMENSIONS: .005
 ANGLES: .5°
 MATERIAL: _____
 FINISH: _____

CONTRACT NO
 DR T. Smith 9/20/52
 DESIGNED BY R. H. Vanturel 8-26-52
 APPD R. H. Vanturel 8/26/52
 APPD T. Smith 8/27/52
 DSGN APPD _____
 OTHER APPD _____

AMP | AMP INCORPORATED
 Harrisburg, Pa. 17105
 NAME CONNCTOR, COAXIAL, RF
 JACK, REAR MOUNTED, SERIES TNC
 SIZE **A** | FCNM NO 00779 | DRAWING NO 228502-1
 SCALE NTS | SHEET 1

单击下面可查看定价，库存，交付和生命周期等信息

[>>TE Connectivity\(泰科\)](#)