

THIS DRAWING IS UNPUBLISHED.

RELEASED FOR PUBLICATION

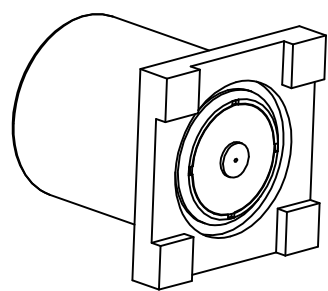
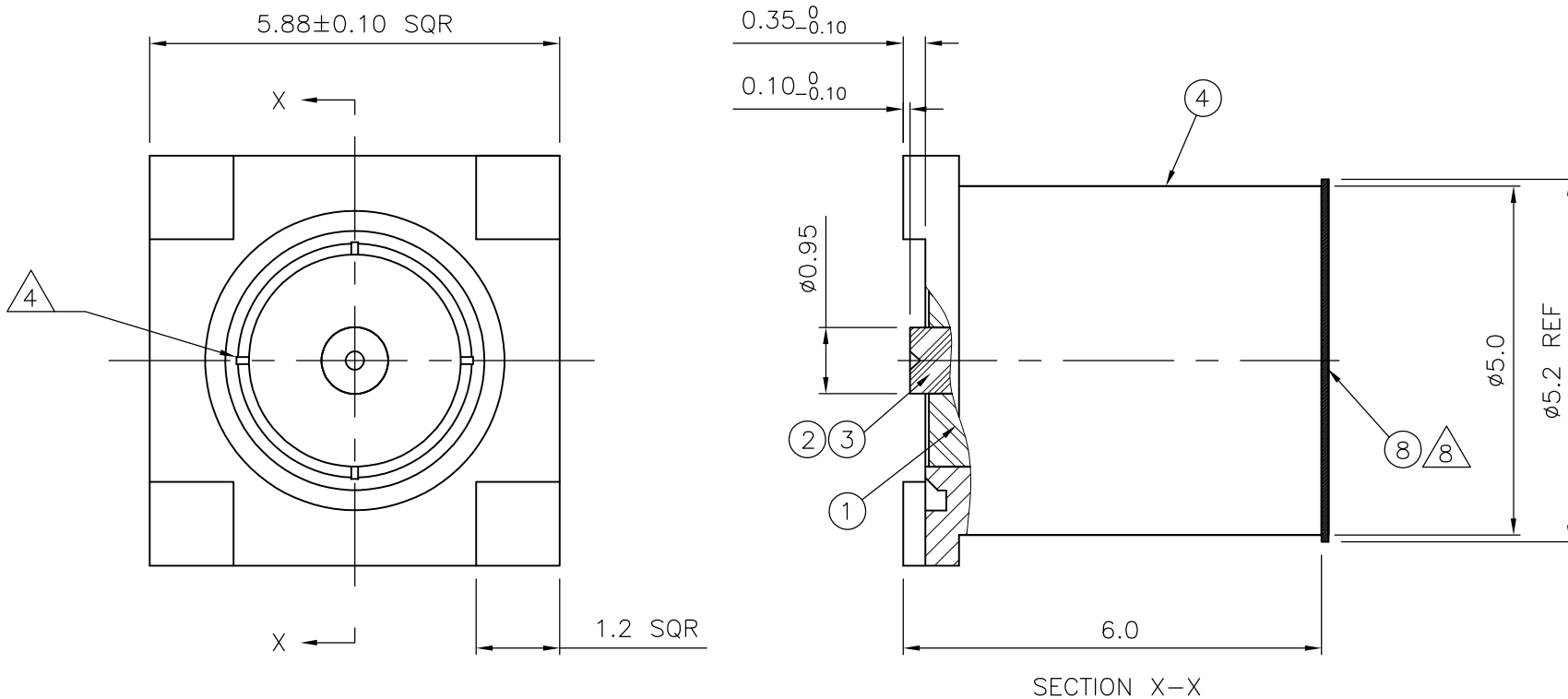
ALL RIGHTS RESERVED.

© COPYRIGHT - By -

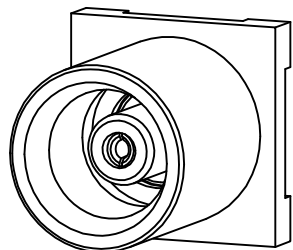
LOC	DIST	REVISIONS			
P	LTR	DESCRIPTION	DATE	DWN	APVD
E	B				
	D	ECO-13-010895	17JUN2014	RZ	MC

NOTES:

- 1 PACKAGE ONE COMPLETE CONNECTOR IN HEAT SEALED, LABELED BAG. LABELED PER TEC-107-115
- 2 TAPE AND REEL PACKAGING OPTION AS PER NOTES 13 AND 14
- 3 0.1-0.2µm Au PLATING
- 4 FOUR POINT INDENT STAGGERED 90° ON RADIUS
- 5 0.8µm Au PLATING
- 6. DIELECTRIC MUST WITHSTAND A 10 N AXIAL RETENTION FORCE AFTER INDENT
- 7. COAX CONNECTOR CONFORMS WITH SPEC CECC 22220
- 8 KAPTON CAP SHOWS JUST FOR 6-1337582-0



SCALE 5:1



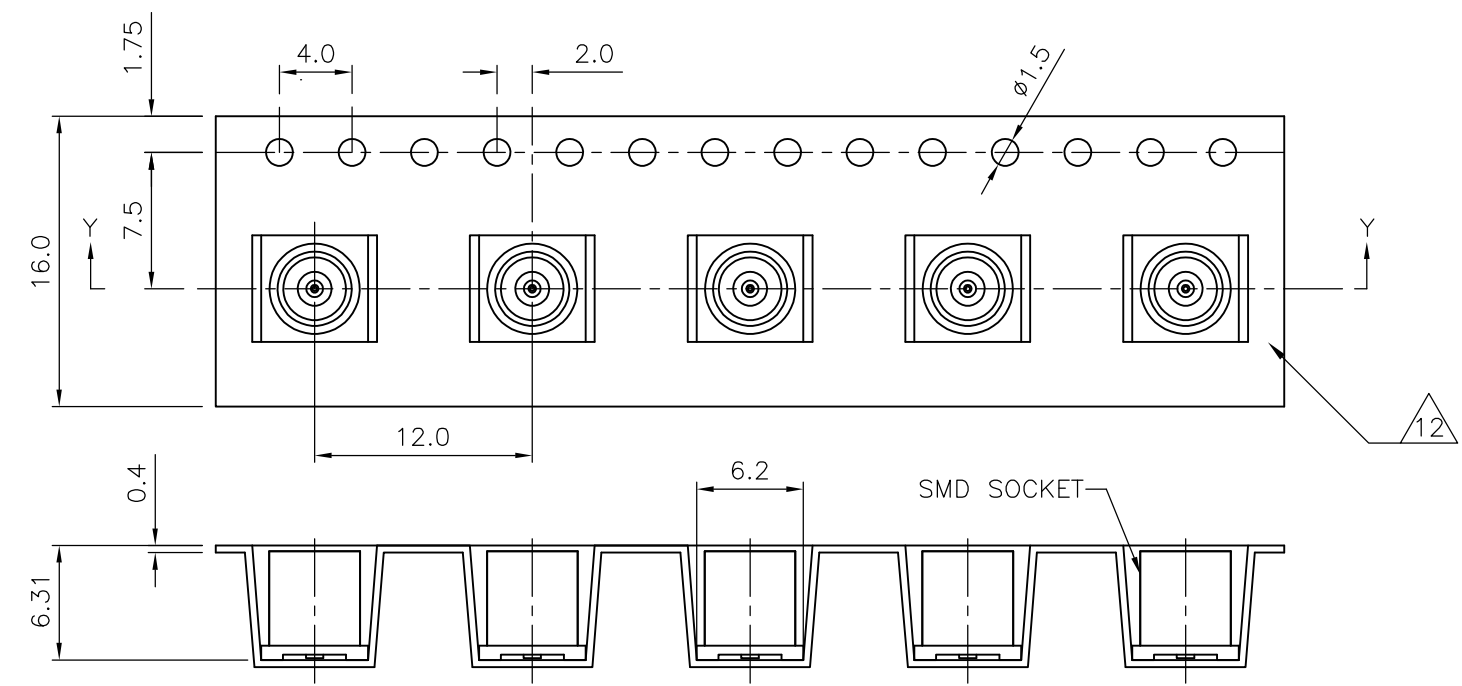
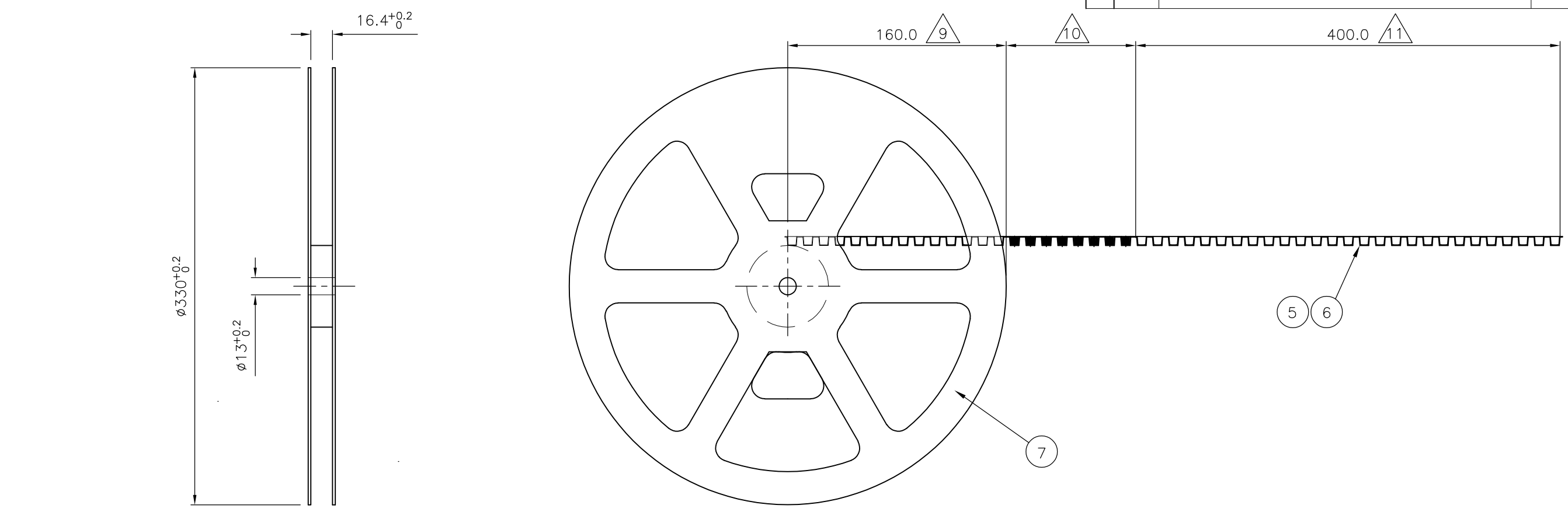
SCALE 5:1

QTY	PLC	FIN	PLC	MATERIAL	DESCRIPTION	ITEM No
-	1	-	-	PLOYIMIDE GREEN	KAPTON GREEN CAP	8
1	1	-	-	POLYSTRENE REGRIND BLACK	REEL 13"	7
1	1	-	-	PET TRANSPARENT	COVER BELT FOR BLISTER BELT	6
1	1	-	-	POLYSTRENE VOLUME CONDUCTIVE	BLISTER BELT	5
1	1	1	1	BRASS	BODY	4
1	-	1	-	PHOSPHOR BRONZE	FEMALE CONTACT	3
-	1	-	1	PHOSPHOR BRONZE	FEMALE CONTACT	2
1	1	1	1	PTFE	DIELECTRIC	1
6--1	6--0	1--1	1--0			
2	2	1	1			

THIS DRAWING IS A CONTROLLED DOCUMENT.		DWN J.SANDWELL 10NOV2004	TE Connectivity	
		CHK S.PARLOW 10NOV2004		
		APVD F.WHEELER-KING 10NOV2004	NAME MCX SMD PCB SOCKET	
DIMENSIONS: mm		PRODUCT SPEC 108-3640		
TOLERANCES UNLESS OTHERWISE SPECIFIED:		APPLICATION SPEC		
0 PLC ± - 1 PLC ± 0.5 2 PLC ± 0.13 3 PLC ± 0.013 4 PLC ± 0.0001 ANGLES ± -		SIZE A3	CAGE CODE 00779	DRAWING NO C-1337582
MATERIAL SEE TABLE		WEIGHT -	RESTRICTED TO -	
		CUSTOMER DRAWING		SCALE 10:1 SHEET 1 OF 2 REV D

THIS DRAWING IS UNPUBLISHED. RELEASED FOR PUBLICATION  
 © COPYRIGHT - By - ALL RIGHTS RESERVED.

LOC	DIST	REVISIONS					
E	B	P	LTR	DESCRIPTION	DATE	DWN	APVD
		-		SEE SHEET 1	-	-	-



- NOTES (CONT):
- 9 LAST RUNNING ACCORDING TO IEC 60286-3
  - 10 BLISTER BELT FILLED WITH PARTS
  - 11 400mm EMPTY BLISTER BELT, SEALED WITH COVER TAPE
  - 12 BLISTER BELT ACCORDING TO IEC 60286-3
  - 13. UNIT PER REEL: 800 PIECES
  - 14. SMD-STRIP-PACKAGING ACCORDING TO IEC 60286-2

THIS DRAWING IS A CONTROLLED DOCUMENT.		DWN J.SANDWELL 10NOV2004	<b>TE Connectivity</b>														
DIMENSIONS: mm		CHK S.PARLOW 10NOV2004															
TOLERANCES UNLESS OTHERWISE SPECIFIED:		APVD F.WHEELER-KING 10NOV2004	NAME MCX SMD PCB SOCKET														
<table border="0"> <tr><td>0 PLC</td><td>± -</td></tr> <tr><td>1 PLC</td><td>± -</td></tr> <tr><td>2 PLC</td><td>± -</td></tr> <tr><td>3 PLC</td><td>± -</td></tr> <tr><td>4 PLC</td><td>± -</td></tr> <tr><td>ANGLES</td><td>± -</td></tr> </table>		0 PLC	± -	1 PLC	± -	2 PLC	± -	3 PLC	± -	4 PLC	± -	ANGLES	± -	PRODUCT SPEC	SIZE A3		
0 PLC	± -																
1 PLC	± -																
2 PLC	± -																
3 PLC	± -																
4 PLC	± -																
ANGLES	± -																
MATERIAL		APPLICATION SPEC	CAGE CODE 00779	DRAWING NO C-1337582	RESTRICTED TO												
FINISH		WEIGHT	SCALE NTS		SHEET 2 OF 2												
		CUSTOMER DRAWING		REV D													

单击下面可查看定价，库存，交付和生命周期等信息

[>>TE Connectivity\(泰科\)](#)